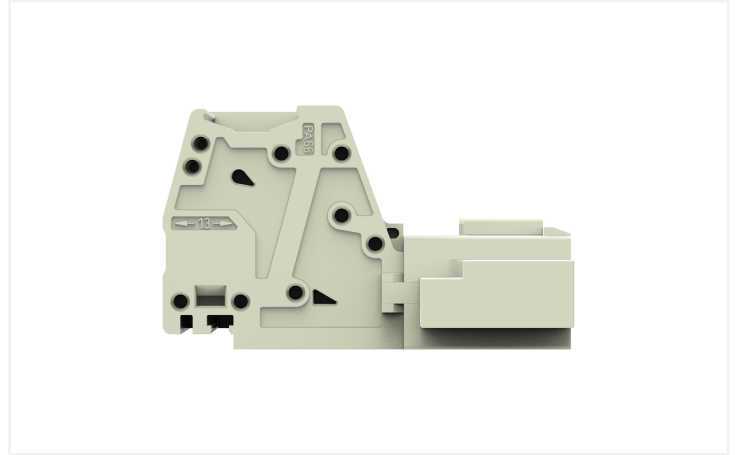
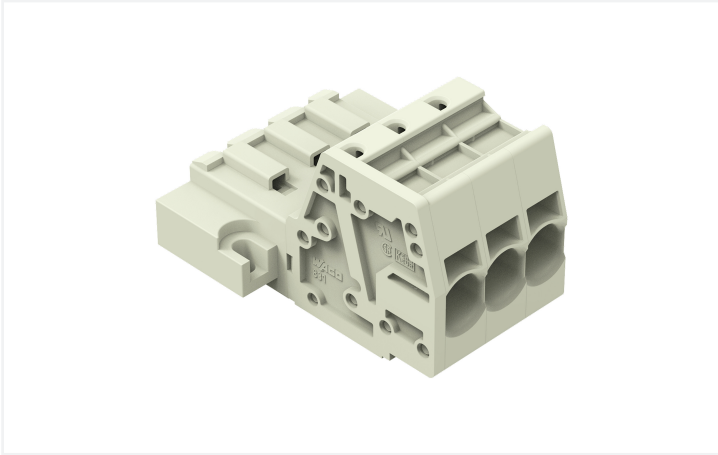


**Data Sheet | Item Number: 831-3203/109-000**

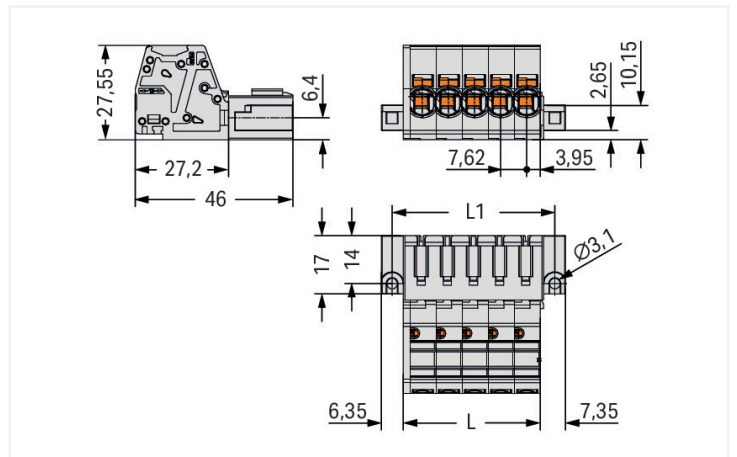
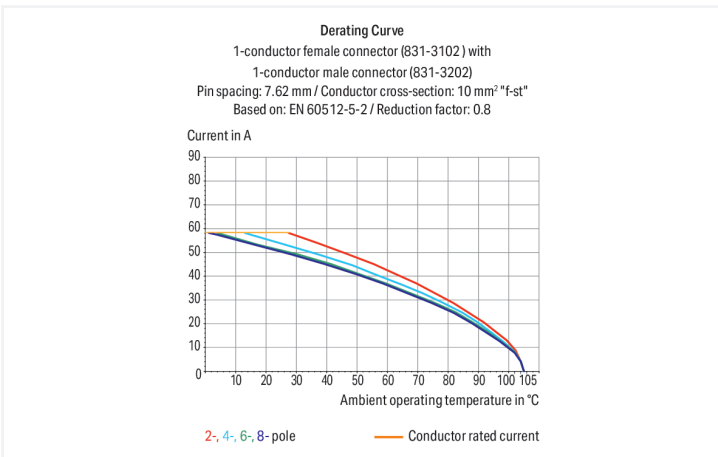
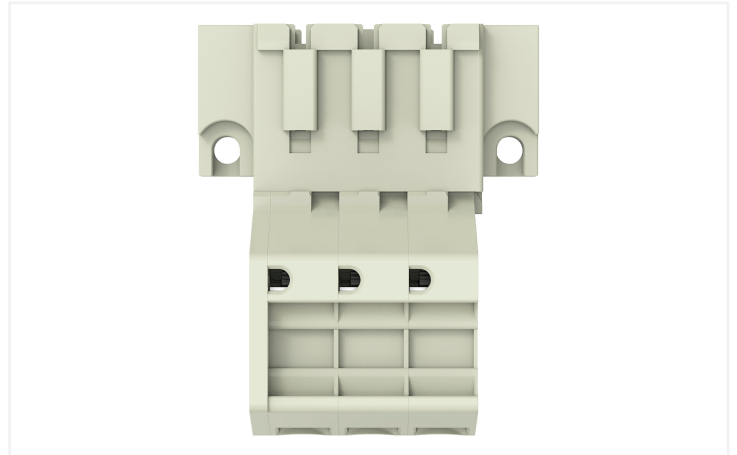
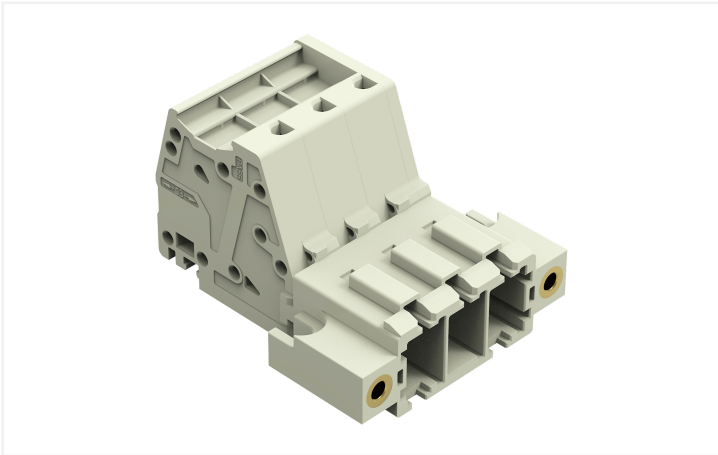
1-conductor male connector; Push-in CAGE CLAMP®; 10 mm²; Pin spacing 7.62 mm; 3-pole; 100% protected against mismatching; Threaded flange; 10,00 mm²; light gray



<https://www.wago.com/831-3203/109-000>



Color: ■ light gray



Dimensions in mm  
 $L = \text{pole no.} \times \text{pin spacing} + 1.9 \text{ mm}$   
 $L1 = L + 7.5 \text{ mm}$

Male connector, 831 Series, light gray

Our male connector (item number 831-3203/109-000) is designed for seamless electrical installations. Conductors should only be connected to this male connector if their strip length is between 13 and 15 mm. Featuring one conductor terminal along with Push-in CAGE CLAMP®, this product outperforms the competition. Our Push-in CAGE CLAMP® is a universal, maintenance-free connection solution for all conductor types, offering a key advantage: It allows direct insertion of both solid and fine-stranded conductors with ferrules without needing tools. No preparation is required; for example, crimping the conductor's ferrule is not necessary. The item's dimensions are (38.5 x 27.6 x 46) mm (width x height x depth). Depending on the type of conductor, this male connector is suitable for conductor cross sections ranging from 0.5 mm<sup>2</sup> to 10 mm<sup>2</sup>.

The contact surface is coated with tin.

## Notes

### Safety Information

The MCS – MULTI CONNECTION SYSTEM includes connectors without breaking capacity in accordance with DIN EN 61984. When used as intended, these connectors must not be connected/disconnected when live or under load. When used as intended, these connectors must not be connected/disconnected when live or under load. The circuit design should ensure header pins, which can be touched, are not live when unmated.

### Variants:

Other pole numbers

Other versions (or variants) can be requested from WAGO Sales or configured at <https://configurator.wago.com/>.

## Electrical data

Ratings per	IEC/EN 60664-1		
Overvoltage category	III	III	II
Pollution degree	3	2	2
Nominal voltage	800 V	1000 V	1000 V
Rated impulse withstand voltage	8 kV	8 kV	8 kV
Rated current	41 A	41 A	41 A

Approvals per	UL 1059		
Use group	B	C	D
Rated voltage	-	600 V	-
Rated current	-	42 A	-

Approvals per	CSA		
Use group	B	C	D
Rated voltage	-	600 V	-
Rated current	-	41 A	-

## Connection Data

Clamping units	3
Total number of potentials	3
Number of connection types	1
Number of levels	1

Connection 1	
Connection technology	Push-in CAGE CLAMP®
Actuation type	Operating tool
Actuation direction 1	Operation parallel to conductor entry
Solid conductor	0.5 ... 10 mm <sup>2</sup> / 20 ... 8 AWG
Fine-stranded conductor	0.5 ... 10 mm <sup>2</sup> / 20 ... 8 AWG
Fine-stranded conductor; with insulated ferrule	0.5 ... 6 mm <sup>2</sup>
Fine-stranded conductor; with uninsulated ferrule	0.5 ... 6 mm <sup>2</sup>
Strip length	13 ... 15 mm / 0.51 ... 0.59 inches
Pole number	3
Conductor entry direction to mating direction	0°

### Physical data

Pin spacing	7.62 mm / 0.3 inches
Width	38.5 mm / 1.514 inches
Height	27.6 mm / 1.087 inches
Depth	46 mm / 1.811 inches

### Mechanical data

Variable coding	Yes
Anti-rotation protection	Yes

### Plug-in connection

Contact type (pluggable connector)	Male connector/plug
Connector (connection type)	for conductor
Mismating protection	Yes
Locking of plug-in connection	Threaded flange

### Material data

Note (material data)	<a href="#">Information on material specifications can be found here</a>
Color	light gray
Material group	I
Insulation material (main housing)	Polyamide (PA66)
Flammability class per UL94	V0
Clamping spring material	Chrome-nickel spring steel (CrNi)
Contact material	Electrolytic copper (E <sub>Cu</sub> )
Contact Plating	Tin
Fire load	0.447 MJ
Weight	24.1 g

### Environmental requirements

Limit temperature range	-60 ... +105 °C
Processing temperature	-35 ... +60 °C

### Commercial data

PU (SPU)	24 pcs
Packaging type	Box
Country of origin	PL
GTIN	4066966091625
Customs tariff number	85366930000

### Product Classification

UNSPSC	39121409
ETIM 9.0	EC001284
ETIM 10.0	EC001284
ECCN	NO US CLASSIFICATION

## Environmental Product Compliance

CAS-No.	7439-92-1
REACH Candidate List Substance	Lead
RoHS Compliance Status	Compliant, No Exemption
SCIP notification number (Austria)	98acefe1-043b-4048-97bc-bff89b5dc0df
SCIP notification number (Belgium)	fa486cf8-5075-4cdf-874c-b53cbb1f4784
SCIP notification number (Bulgaria)	935f212e-6993-4d22-84b0-c8b916193e95
SCIP notification number (Czech Republic)	e90b0f52-1cee-421f-8852-16fde4e557c8
SCIP notification number (Denmark)	7b3c84d1-d8f5-4955-8542-5c63b1cee706
SCIP notification number (Finland)	d4ffa70-ce93-4a0a-84ce-9bce374f92ef
SCIP notification number (France)	85b0bde3-72e2-4c67-bc9f-15687e8f91b1
SCIP notification number (Germany)	eb9a44e1-b70a-4d89-a2fb-311c475bb0b1
SCIP notification number (Hungary)	67d01030-cd42-4d55-b101-9ddd6f796f76
SCIP notification number (Italy)	059425fe-5ecd-4b0e-b3e6-084118535499
SCIP notification number (Netherlands)	ffb3ae33-5bb7-49a1-9fae-a20e9bf80b98
SCIP notification number (Poland)	bc3a15b2-56dc-49f2-a71c-4b4b99d8ea95
SCIP notification number (Romania)	58321820-62da-450b-aa5b-8dc33fca60e8
SCIP notification number (Sweden)	841c7ee4-2ad2-46f8-be36-5313cd3366a8

## Approvals / Certificates

### General approvals



Approval	Standard	Certificate Name
CB DEKRA Certification B.V.	IEC 61984	NL-61360/M1
KEMA/KEUR DEKRA Certification B.V.	EN 61984	71-116057
UR Underwriters Laboratories Inc.	UL 1059	UL-US-2426356-0

## Downloads

### Environmental Product Compliance


#### Compliance Search

Environmental Product  
Compliance  
831-3203/109-000



## Documentation

### Additional Information

Technical Section	03.04.2019	pdf 2027.26 KB	
-------------------	------------	-------------------	---

## CAD/CAE-Data

### CAD data

2D/3D Models  
831-3203/109-000



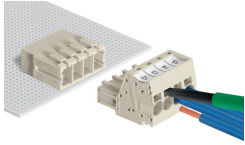
### CAE data

ZUKEN Portal  
831-3203/109-000

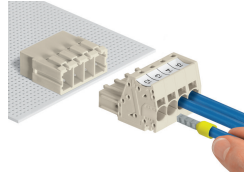


## Installation Notes

### Conductor termination

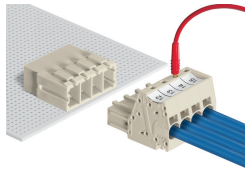


Inserting fine-stranded conductors via (5.5 x 0.8) mm screwdriver.



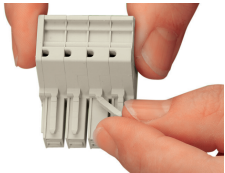
Solid and ferruled conductors are terminated by simply pushing them into unit.

## Testing

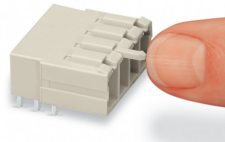


Testing with 2 mm Ø test plug.

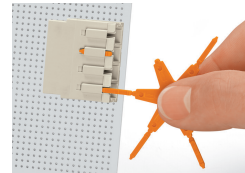
## Coding



Break or cut off coding pin from female connector.



Insert coding pin into male header (break first) until it engages.



Coding a THT male header by inserting a coding pin.

## Marking



Direct marking of female and male connectors



MCS MAXI male and female connectors can also be marked via Mini-WSB or WMB markers.