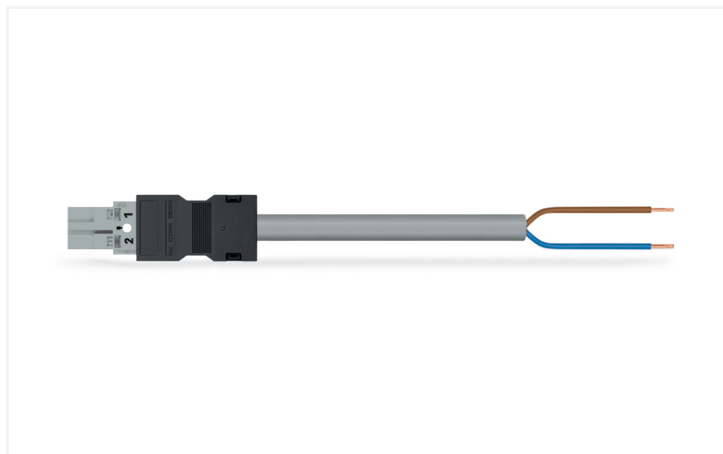


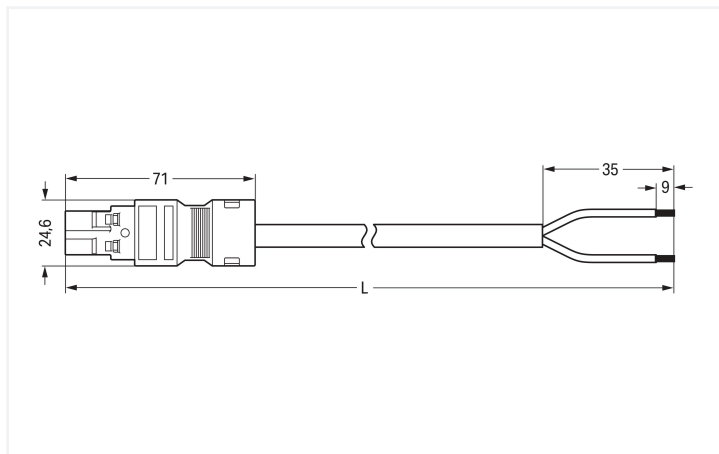
Data Sheet | Item Number: 771-8992/206-803

pre-assembled connecting cable; Eca; Plug/open-ended; 2-pole; Cod. B; Control cable 2 x 1.5 mm²; 8 m; 1,50 mm²; gray

<https://www.wago.com/771-8992/206-803>



Color: ■ gray



Dimensions in mm

Cable assembly WINSTA® MIDI with protection type IP20

The WINSTA® MIDI cable assembly with protection against mismatching supports rapid, correct installation. WAGO pluggable installation connectors are useful when criteria repeat or are planned on a specified pattern, for example for installing grid lighting or flush-mount lighting. The color coding and mechanical coding of the pluggable installation connector ensure error-free installation of the individual components – including protection against mismatching. The pluggable installation connector is protected against ingress by solid objects in accordance with protection type IP20 (When mated: IP2xC (These compact connectors are not designed for use in open, easily accessible areas!)). B coding enables the WINSTA® MIDI pluggable installation connectors to be used for application control in the domains of automation, mechanical engineering and robotics. The WINSTA® MIDI product line achieves total flexibility for the installation of applications. Through its Push-in CAGE CLAMP® spring pressure connection technology, it ensures time-saving, error-free installation and offers flexibility for meeting all installation requirements. Of course, the safety of buildings must always be ensured, even after the electrical installation has been performed. The required safety requirements in connection with EU CPR are met by this product through fire class E.

Fast, secure pluggable connections – cable assemblies from WAGO

A plug and a free end are provided. The WINSTA® Pluggable Connection System is ideally tailored to the strict requirements of building installation. It makes electrical installation pluggable, and therefore faster, even more reliable, and error-free. Using this pre-assembled system reduces assembly times and errors during installation at the construction site. Enjoy the benefits of the pluggable version of our maintenance-free spring pressure connection technology too! Plan your installation with with protection against mismatching from WAGO.

- effective protection against mismatching
- simple circuits
- for automation controllers
- ready to install and use immediately
- rapid, structured electrical installation

Notes

| | |
|-----------|---|
| Note | Cables with a different fire class can be found in the eShop. |
| Variants: | Other pole markings Other versions (or variants) can be requested from WAGO Sales or configured at https://configurator.wago.com/ . |

Electrical data

| Ratings per | IEC/EN 60664-1 | | | General information | |
|---------------------------------|----------------|-----|----|----------------------------|--|
| Overvoltage category | III | III | II | Note on contact resistance | approx. 1 mΩ of contact resistance approx. 0.25 mΩ contact transition plug/ socket |
| Pollution degree | 3 | 2 | 2 | | |
| Nominal voltage | 250 V | - | - | | |
| Rated impulse withstand voltage | 4 kV | - | - | | |
| Rated current | 16 A | - | - | | |

Connection Data

| | | | |
|----------------------------|---------------------------|---------------------------------|---------------------|
| Total number of potentials | 2 | Connection 1 | |
| Conductor preparation | ultrasonically tip-bonded | Strip length | 9 mm / 0.35 inches |
| | | Pole number | 2 |
| | | Wire cross-section | 1.5 mm ² |
| | | Strip length (outer insulation) | 35 mm |
| | | Connection type | Plug - free end |

Physical data

| | |
|--------------|------------------------|
| Pin spacing | 10 mm / 0.394 inches |
| Width | 24.6 mm / 0.969 inches |
| Height | 15.9 mm / 0.626 inches |
| Total length | 8 m |

Mechanical data

| | |
|---|---|
| Use | Control technology |
| Coding | B |
| Variable coding | No |
| Marking | 1 2 |
| Potential marking | 1 2 |
| Mating force of a plug-in connection | approx. 20 ... 70 N (depending on pole number) |
| Retention force of a plug-in connection | when locked: > 80N |
| Unmating force of a plug-in connection | when unlocked: approx. 20 ... 70 N (depending on pole number) |
| Number of mating cycles | 200, without resistive load |
| Connection type | Plug - free end |
| Type of pre-assembled cable | Connecting cable |
| Cable type | Control line 2x1.5 |
| Protection type | IP20; When mated: IP2xC (These compact connectors are not designed for use in open, easily accessible areas!) |

Plug-in connection

| | |
|-------------------------------|--|
| Mismating protection | Yes |
| Note on mismating protection | All WINSTA® components are 100% protected against mismating when: a.) plugging different numbers of poles b.) plugging while rotated 180 c.) plugging while laterally staggered d.) plugging one pole |
| Locking lever | Can be retrofitted |
| Locking of plug-in connection | Locking lever |
| Note on locking system | All connectors for mounted installations (snap-in versions for lighting fixtures or devices, all types of PCB and distribution connectors) are factory-equipped with locking levers to ensure plugs and sockets are securely locked. Additional locking levers are only required for flying leads (plug/socket). |

Material data

| | |
|------------------------------------|--|
| Note (material data) | Information on material specifications can be found here |
| Color | gray |
| Insulation material (main housing) | Polyamide (PA66) |
| Fire class per EN 50575 | E _{ca} |
| Contact material | Copper or copper alloy; surface-treated |
| Contact Plating | Tin |
| Fire load | 0.32 MJ |
| Connector color | gray |
| Strain relief color | black |
| Sheathed cable color | gray |
| Printing color of sheathed cable | black |
| Halogen-free | No |
| Silicon-free | Yes |
| Sheath material | PVC |
| Rubber cable | No |
| Weight | 531.6 g |
| Copper weight of the raw cable | 0.029 kg/m |

Environmental requirements

| | |
|--|---|
| Processing temperature | -5 ... +40 °C |
| Continuous operating temperature | -35 ... +85 °C |
| Note on continuous operating temperature | Cable for temperatures ≤ 70 °C (including halogen-free) Insulating parts for temperatures ≤ 105 °C |

Commercial data

| | |
|-----------------------|---------------|
| PU (SPU) | 1 pcs |
| Packaging type | unpacked |
| Country of origin | DE |
| GTIN | 4055143503365 |
| Customs tariff number | 85444290900 |

Product Classification

| | |
|-------------|----------------------|
| UNSPSC | 26121629 |
| eCl@ss 10.0 | 27-44-06-04 |
| eCl@ss 9.0 | 27-44-06-04 |
| ETIM 9.0 | EC002587 |
| ETIM 10.0 | EC002587 |
| ECCN | NO US CLASSIFICATION |

Environmental Product Compliance

| | |
|------------------------|-------------------------|
| RoHS Compliance Status | Compliant, No Exemption |
|------------------------|-------------------------|

Approvals / Certificates

General approvals



| Approval | Standard | Certificate Name |
|---------------------------------------|----------|------------------|
| CCA DEKRA Certification B.V. | EN 61535 | NTR NL-7355 |
| KEMA/KEUR DEKRA Certification B.V. | EN 61535 | 71-123834 |

Downloads

Environmental Product Compliance

Compliance Search

| | |
|--|-------------------|
| Environmental Product Compliance 771-8992/206-803 | ↓ |
|--|-------------------|

Documentation

Bid Text

| | | | |
|------------------|------------|-----------------|-------------------|
| 771-8992/206-803 | 19.02.2019 | xml 3.00 KB | ↓ |
| 771-8992/206-803 | 02.06.2015 | doc 26.00 KB | ↓ |

CAD/CAE-Data

CAE data

| | |
|---------------------------------------|-------------------|
| EPLAN Data Portal 771-8992/206-803 | ↓ |
|---------------------------------------|-------------------|

1 Compatible Products

1.1 Required Accessories

1.1.1 Locking system

1.1.1.1 Locking system



Item No.: 770-101

Locking lever; for flying leads; for manual operation; black



Item No.: 770-121

Locking lever; for flying leads; for manual operation; white



Item No.: 770-111

Locking lever; for flying leads; for tool operation; black



Item No.: 770-131

Locking lever; for flying leads; for tool operation; white

1.2 Optional Accessories

1.2.1 Cover

1.2.1.1 Cover



Item No.: 770-360

Lockout cap; for plugs; 5-pole; separable; yellow



Item No.: 897-2003

Protective cap; Type2; for sockets and plugs; PVC; red

1.2.2 Installation

1.2.2.1 Mounting accessories



Item No.: 770-310

Mounting carrier; 2- to 5-pole; for flying leads; black

1.2.3 Marking

1.2.3.1 Marking strip



Item No.: 210-334

Marking strips; as a DIN A4 sheet; Strip width 5 mm; Strip length 182 mm; plain; Self-adhesive; white