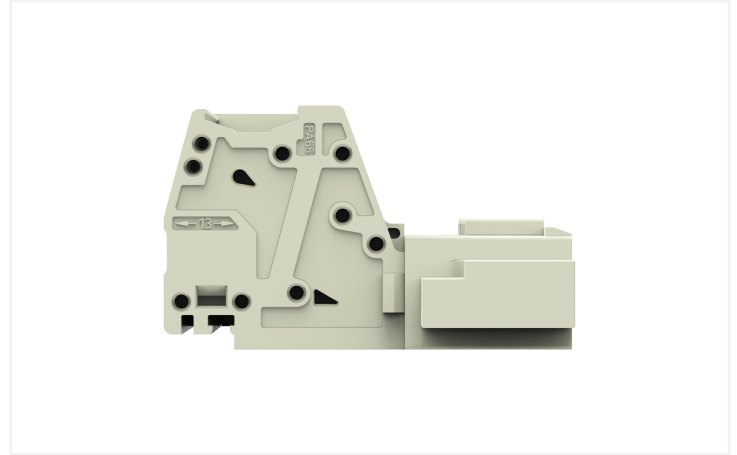
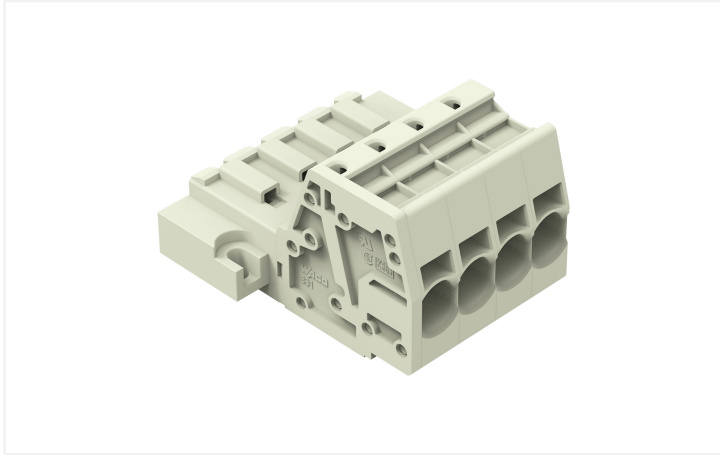


Data Sheet | Item Number: 831-3204/109-000

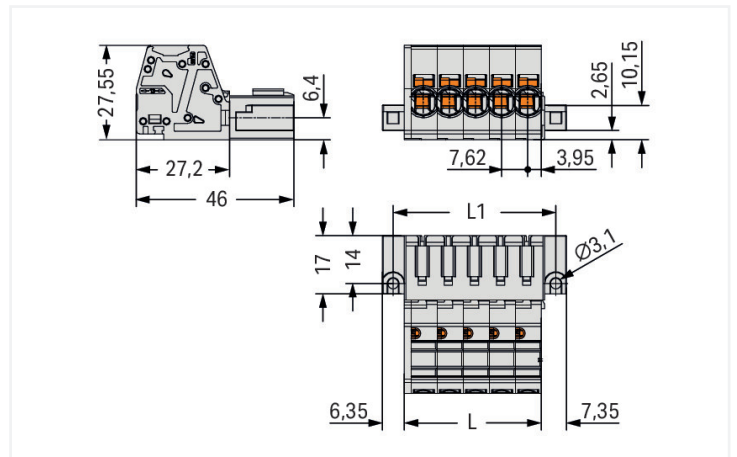
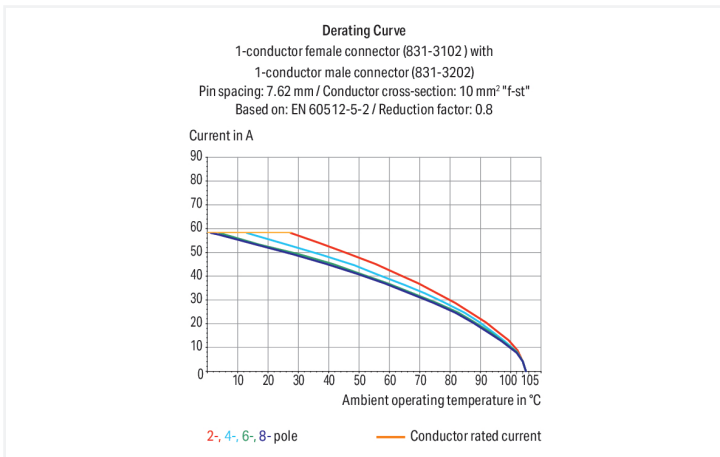
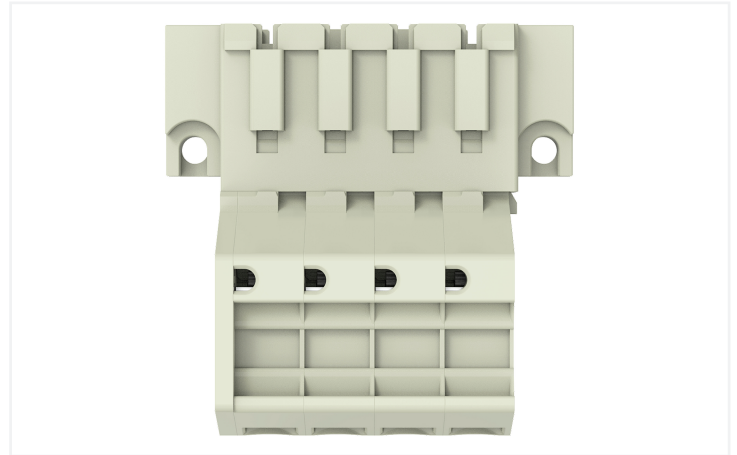
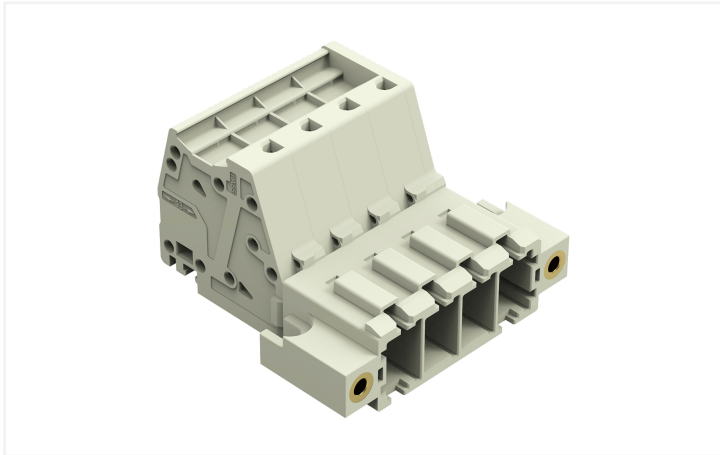
1-conductor male connector; Push-in CAGE CLAMP®; 10 mm²; Pin spacing 7.62 mm; 4-pole; 100% protected against mismatching; Threaded flange; 10,00 mm²; light gray



<https://www.wago.com/831-3204/109-000>



Color: ■ light gray



Dimensions in mm
 $L = \text{pole no.} \times \text{pin spacing} + 1.9 \text{ mm}$
 $L1 = L + 7.5 \text{ mm}$

Male connector, 831 Series, with 7.62 mm pin spacing

Our male connector (item number 831-3204/109-000) ensures effortless electrical installations. Strip lengths must be between 13 and 15 mm when connecting conductors to this male connector. Featuring one conductor terminal along with Push-in CAGE CLAMP®, this connector is highly versatile. Push-in CAGE CLAMP® connection technology is ideal for connecting all conductor types. Solid and fine-stranded conductors with ferrules can be plugged in without the need for tools—all thanks to its pluggable design. Dimensions: (46.1 x 27.6 x 46) mm (width x height x depth). Depending on the conductor type, this male connector is suitable for conductor cross sections ranging from 0.5 mm² to 10 mm².

Tin is used for coating the contact surfaces.

Notes

| | |
|--|--|
| <p>Safety Information</p> <p>Variants:</p> | <p>The MCS – MULTI CONNECTION SYSTEM includes connectors without breaking capacity in accordance with DIN EN 61984. When used as intended, these connectors must not be connected/disconnected when live or under load. When used as intended, these connectors must not be connected/disconnected when live or under load. The circuit design should ensure header pins, which can be touched, are not live when unmated.</p> <p>Other pole numbers Other versions (or variants) can be requested from WAGO Sales or configured at https://configurator.wago.com/.</p> |
|--|--|

Electrical data

| Ratings per | IEC/EN 60664-1 | | | Approvals per | UL 1059 | | |
|---------------------------------|----------------|--------|--------|---------------|---------|-------|---|
| Overvoltage category | III | III | II | Use group | B | C | D |
| Pollution degree | 3 | 2 | 2 | Rated voltage | - | 600 V | - |
| Nominal voltage | 800 V | 1000 V | 1000 V | Rated current | - | 42 A | - |
| Rated impulse withstand voltage | 8 kV | 8 kV | 8 kV | | | | |
| Rated current | 41 A | 41 A | 41 A | | | | |

| Approvals per | CSA | | |
|---------------|-----|-------|---|
| Use group | B | C | D |
| Rated voltage | - | 600 V | - |
| Rated current | - | 41 A | - |

Connection Data

| <table border="0"> <tr><td>Clamping units</td><td>4</td></tr> <tr><td>Total number of potentials</td><td>4</td></tr> <tr><td>Number of connection types</td><td>1</td></tr> <tr><td>Number of levels</td><td>1</td></tr> </table> | Clamping units | 4 | Total number of potentials | 4 | Number of connection types | 1 | Number of levels | 1 | <table border="0"> <tr><th colspan="2">Connection 1</th></tr> <tr><td>Connection technology</td><td>Push-in CAGE CLAMP®</td></tr> <tr><td>Actuation type</td><td>Operating tool</td></tr> <tr><td>Actuation direction 1</td><td>Operation parallel to conductor entry</td></tr> <tr><td>Solid conductor</td><td>0.5 ... 10 mm² / 20 ... 8 AWG</td></tr> <tr><td>Fine-stranded conductor</td><td>0.5 ... 10 mm² / 20 ... 8 AWG</td></tr> <tr><td>Fine-stranded conductor; with insulated ferrule</td><td>0.5 ... 6 mm²</td></tr> <tr><td>Fine-stranded conductor; with uninsulated ferrule</td><td>0.5 ... 6 mm²</td></tr> <tr><td>Strip length</td><td>13 ... 15 mm / 0.51 ... 0.59 inches</td></tr> <tr><td>Pole number</td><td>4</td></tr> <tr><td>Conductor entry direction to mating direction</td><td>0°</td></tr> </table> | Connection 1 | | Connection technology | Push-in CAGE CLAMP® | Actuation type | Operating tool | Actuation direction 1 | Operation parallel to conductor entry | Solid conductor | 0.5 ... 10 mm ² / 20 ... 8 AWG | Fine-stranded conductor | 0.5 ... 10 mm ² / 20 ... 8 AWG | Fine-stranded conductor; with insulated ferrule | 0.5 ... 6 mm ² | Fine-stranded conductor; with uninsulated ferrule | 0.5 ... 6 mm ² | Strip length | 13 ... 15 mm / 0.51 ... 0.59 inches | Pole number | 4 | Conductor entry direction to mating direction | 0° |
|---|---|---|----------------------------|---|----------------------------|---|------------------|---|--|--------------|--|-----------------------|---------------------|----------------|----------------|-----------------------|---------------------------------------|-----------------|---|-------------------------|---|---|---------------------------|---|---------------------------|--------------|-------------------------------------|-------------|---|---|----|
| Clamping units | 4 | | | | | | | | | | | | | | | | | | | | | | | | | | | | | | |
| Total number of potentials | 4 | | | | | | | | | | | | | | | | | | | | | | | | | | | | | | |
| Number of connection types | 1 | | | | | | | | | | | | | | | | | | | | | | | | | | | | | | |
| Number of levels | 1 | | | | | | | | | | | | | | | | | | | | | | | | | | | | | | |
| Connection 1 | | | | | | | | | | | | | | | | | | | | | | | | | | | | | | | |
| Connection technology | Push-in CAGE CLAMP® | | | | | | | | | | | | | | | | | | | | | | | | | | | | | | |
| Actuation type | Operating tool | | | | | | | | | | | | | | | | | | | | | | | | | | | | | | |
| Actuation direction 1 | Operation parallel to conductor entry | | | | | | | | | | | | | | | | | | | | | | | | | | | | | | |
| Solid conductor | 0.5 ... 10 mm ² / 20 ... 8 AWG | | | | | | | | | | | | | | | | | | | | | | | | | | | | | | |
| Fine-stranded conductor | 0.5 ... 10 mm ² / 20 ... 8 AWG | | | | | | | | | | | | | | | | | | | | | | | | | | | | | | |
| Fine-stranded conductor; with insulated ferrule | 0.5 ... 6 mm ² | | | | | | | | | | | | | | | | | | | | | | | | | | | | | | |
| Fine-stranded conductor; with uninsulated ferrule | 0.5 ... 6 mm ² | | | | | | | | | | | | | | | | | | | | | | | | | | | | | | |
| Strip length | 13 ... 15 mm / 0.51 ... 0.59 inches | | | | | | | | | | | | | | | | | | | | | | | | | | | | | | |
| Pole number | 4 | | | | | | | | | | | | | | | | | | | | | | | | | | | | | | |
| Conductor entry direction to mating direction | 0° | | | | | | | | | | | | | | | | | | | | | | | | | | | | | | |

Physical data

| | |
|-------------|------------------------|
| Pin spacing | 7.62 mm / 0.3 inches |
| Width | 46.1 mm / 1.814 inches |
| Height | 27.6 mm / 1.087 inches |
| Depth | 46 mm / 1.811 inches |

Mechanical data

| | |
|--------------------------|-----|
| Variable coding | Yes |
| Anti-rotation protection | Yes |

Plug-in connection

| | |
|------------------------------------|---------------------|
| Contact type (pluggable connector) | Male connector/plug |
| Connector (connection type) | for conductor |
| Mismating protection | Yes |
| Locking of plug-in connection | Threaded flange |

Material data

| | |
|------------------------------------|--|
| Note (material data) | Information on material specifications can be found here |
| Color | light gray |
| Material group | I |
| Insulation material (main housing) | Polyamide (PA66) |
| Flammability class per UL94 | V0 |
| Clamping spring material | Chrome-nickel spring steel (CrNi) |
| Contact material | Electrolytic copper (E _{Cu}) |
| Contact Plating | Tin |
| Fire load | 0.537 MJ |
| Weight | 29.7 g |

Environmental requirements

| | |
|-------------------------|-----------------|
| Limit temperature range | -60 ... +105 °C |
| Processing temperature | -35 ... +60 °C |

Commercial data

| | |
|-----------------------|---------------|
| PU (SPU) | 24 pcs |
| Packaging type | Box |
| Country of origin | PL |
| GTIN | 4066966091632 |
| Customs tariff number | 85366930000 |

Product Classification

| | |
|-----------|----------------------|
| UNSPSC | 39121409 |
| ETIM 9.0 | EC001284 |
| ETIM 10.0 | EC001284 |
| ECCN | NO US CLASSIFICATION |

Environmental Product Compliance

| | |
|---|--------------------------------------|
| CAS-No. | 7439-92-1 |
| REACH Candidate List Substance | Lead |
| RoHS Compliance Status | Compliant, No Exemption |
| SCIP notification number (Austria) | 906f1a4e-adb6-4271-a8e2-cb2cb9f101f9 |
| SCIP notification number (Belgium) | dcabc5b2-b643-443c-b2ad-0ce99c7b1fd3 |
| SCIP notification number (Bulgaria) | d53f7f97-4c90-4593-986f-af7da9cf9f0e |
| SCIP notification number (Czech Republic) | a82a5814-d911-4ba1-8dbd-9f457d551230 |
| SCIP notification number (Denmark) | 2edf4219-76b2-4632-8f03-78b3877f4d13 |
| SCIP notification number (Finland) | fe2c570d-9506-4a3a-8fba-854c2cbd9e28 |
| SCIP notification number (France) | fec42b08-98a0-4fac-92a6-b4d0a2c5a405 |
| SCIP notification number (Germany) | c78e6834-7420-4b9f-a852-b4c10e87efbd |
| SCIP notification number (Hungary) | 0cbe2332-9783-40cd-a34b-e8646f6f1d6f |
| SCIP notification number (Italy) | 03e02a25-08f2-4771-8b4b-1383731c4a0e |
| SCIP notification number (Netherlands) | 755315e0-9463-463c-84b8-3680c6c6927e |
| SCIP notification number (Poland) | ab7a2e7e-6550-4c2d-8e88-b9f271c7d5c2 |
| SCIP notification number (Romania) | 1ba1f8ec-01fe-4183-b6e6-3bc70aa58f9f |
| SCIP notification number (Sweden) | 1dd7bcd8-84fa-4bce-a9c3-76d83da30f3f |

Approvals / Certificates

General approvals



| Approval | Standard | Certificate Name |
|---------------------------------------|-----------|------------------|
| CB DEKRA Certification B.V. | IEC 61984 | NL-61360/M1 |
| KEMA/KEUR DEKRA Certification B.V. | EN 61984 | 71-116057 |
| UR Underwriters Laboratories Inc. | UL 1059 | UL-US-2426356-0 |

Downloads

Environmental Product Compliance

| | |
|--|-------------------|
| Compliance Search | |
| Environmental Product Compliance 831-3204/109-000 | ↓ |

Documentation

| | | | |
|-------------------------------|------------|-------------------|-------------------|
| Additional Information | | | |
| Technical Section | 03.04.2019 | pdf 2027.26 KB | ↓ |

CAD/CAE-Data

CAD data

2D/3D Models
831-3204/109-000



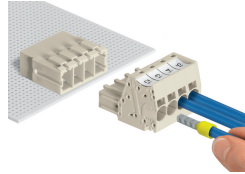
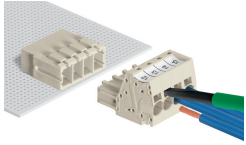
CAE data

ZUKEN Portal
831-3204/109-000



Installation Notes

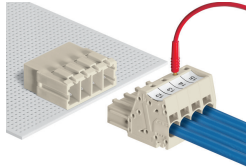
Conductor termination



Inserting fine-stranded conductors via (5.5 x 0.8) mm screwdriver.

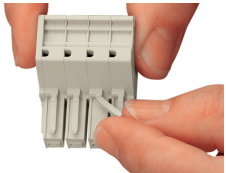
Solid and ferruled conductors are terminated by simply pushing them into unit.

Testing

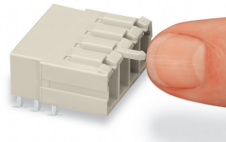


Testing with 2 mm Ø test plug.

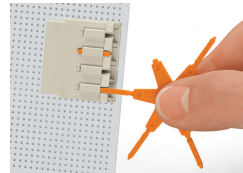
Coding



Break or cut off coding pin from female connector.



Insert coding pin into male header (break first) until it engages.



Coding a THT male header by inserting a coding pin.

Marking



Direct marking of female and male connectors



MCS MAXI male and female connectors can also be marked via Mini-WSB or WMB markers.