

Wall mounted receptacle

Part number: 598



MENNEKES
Elektrotechnik GmbH & Co. KG

Aloys-Mennekes-Straße 1
57399 Kirchhundem
GERMANY

www.MENNEKES.org

Product Description

- screw connection technology
- internal fixing
- 25° inclination
- enclosure can be turned 180°
- receptacle is designed for adding an auxiliary contact switch

Technical Details

| Wall mounted receptacle | 598 |
|-----------------------------------------------------------------------------------------|-----------------------|
| Ampere | 32A |
| Number of poles | 3p |
| Clock position | 12h |
| Nominal voltage AC | 40 - 50V |
| Nominal frequency | 50 - 60 Hz |
| Protection type IP | IP44 |
| Contact carrier | standard |
| X-CONTACT | no |
| Connection | screw terminals |
| Contact screw drive | PZ2, slot |
| Screw drive external screws | PZ2, slot |
| Pilot contact | without pilot contact |
| Pilot contact switch | no |
| Cable entry at the top | 1 x M32 |
| Cable entry at the bottom | 2 x M25 (blind) |
| Blind cable entry at the rear | no |
| Enclosure base can be turned 180° | yes |
| Insertion direction | angled |
| Inclination | 25° |
| Type of mounting | internal fixing |
| Highly resistant to chemicals | no |
| Military version | no |
| Lockable | no |
| Tightening torque connection terminal for cable cross-section 1,0 - 1,5 mm ² | 0.6 Nm |

| | |
|-----------------------------------------------------------------------------------------|---------------------|
| Wall mounted receptacle | 598 |
| Tightening torque connection terminal for cable cross-section 2,5 - 4,0 mm ² | 0.8 Nm |
| Tightening torque connection terminal for cable cross-section 6 - 10 mm ² | 1.2 Nm |
| Strip length solid conductor | 12 - 17 mm |
| Conductor cross-section min. | 2.5 mm ² |
| Conductor cross-section max. | 10 mm ² |
| Weight (net) | 278 g |
| Packaging unit | 10 pcs |
| Quantity per pallet | 540 pcs |
| EAN / identification number | 4015394004417 |

| Permissible ambient conditions | | |
|-----------------------------------|--------|-------|
| | Min. | Max. |
| Permissible ambient temperature | -25 °C | 40 °C |
| Average temperature over 24 hours | | 35 °C |

| Material properties | |
|---------------------|-----------------------------------|
| Base | PA6 light grey [similar RAL 7035] |
| Upper part | PA6 light grey [similar RAL 7035] |
| Hinged lid | PA6 light grey [similar RAL 7035] |
| External screws | steel galvanised |

Material resistance

The material resistance overview can be found on the website in the section “Knowledge” - “Product knowledge” - “Materials”.

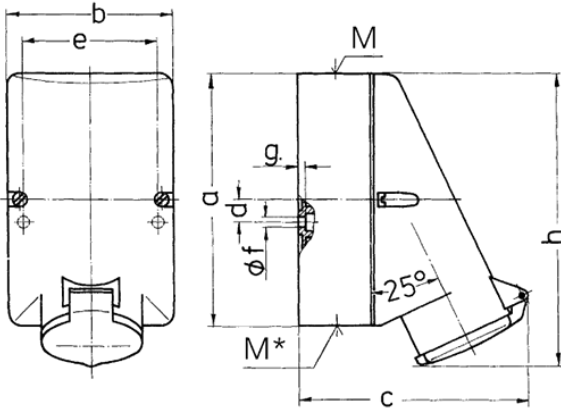
Material and environmental properties

| | |
|-----------------------------------|-----|
| RoHS 2011/65/EU incl. 2015/863/EU | ✓ |
| POP regulation (EU) 2019/1021 | ✓ |
| Halogen-free | yes |

Regulations and Standards

| | |
|---------------------------|--------------------|
| Norm | DIN EN IEC 60309-2 |
| Declaration of Conformity | CE |
| Test label | EAC, CQC |

Dimensional Drawing



| Drawing 1 MB 137 | Amp. Poles | 16 | | 32 | |
|---------------------|---------------------------------------------------------------|----------------------------|-----|----------------------------|-----|
| | | 2 | 3 | 2 | 3 |
| Dim. in mm | a | 128 | 128 | 128 | 128 |
| | b | 84 | 84 | 84 | 84 |
| | c | 120 | 120 | 120 | 120 |
| | d | 11 | 11 | 11 | 11 |
| | e | 68 | 68 | 68 | 68 |
| | f | 5.3 | 5.3 | 5.3 | 5.3 |
| | g | 4 | 4 | 4 | 4 |
| | h | 146 | 146 | 146 | 146 |
| | M | 25 | 25 | 32 | 32 |
| | M* | 2x25 (blind) to be cut out | | 2x25 (blind) to be cut out | |
| | Max. cable diam. (mm) | 18 | 18 | 25 | 25 |
| | Terminal for cond. cross section (mm ²) min.-max. | 4 | 4 | 4 | 4 |
| | | -2x6 | -10 | -2x6 | -10 |