

Product data sheet Spirotech

Product name

SpiroTrap -DN100 -Magnet -Flange

Product properties

A steel dirt separator with magnet for standard flow rate (1.5 m/s) with a DN50 - DN300 PN16 flange connection

- Very small particles, from 5 μm (= 0.005 mm) are separated and removed
- Integrated magnet for extra protection and removal of magnetite
- Dirt can be drained while the system is in operation
- No shut-off valves or bypass required
- Applicable with 50/50 Ethylene Glycol / Water (Volume)
- Constant low pressure drop
- Maintenance only takes a few seconds
- No unnecessary downtime
- PN16 flange connection
- Connection diameters from DN50 to DN 300, larger connection diameters on request

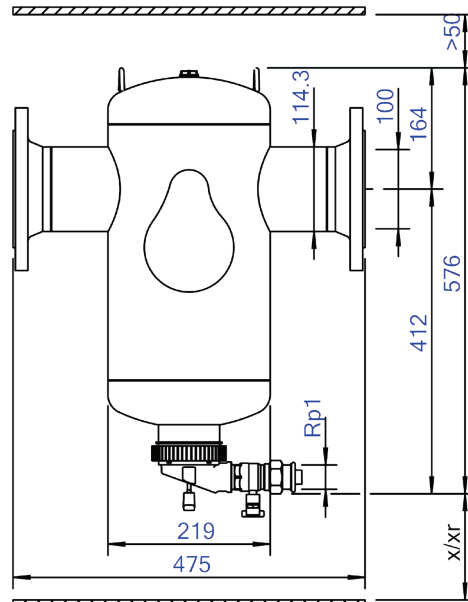
Article number

BE100FM

Product image



Product dimensions



Product data sheet Spirotech

ETIM product data

Housing material	Steel	Suitable for closed system	Yes
With drain valve	Yes	Suitable for solar	No
Housing material quality	St 37 (1.0254)	Whirl operating principle	No
Backwash filter	No	Negative pressure operating principle	No
Medium temperature (continuous)	0 - 110 °C	With dismountable filter	No
Max. operating pressure	10 bar	Filter volume	17 l
KVS value [m ³ /h] at ΔP 1 bar	244.8	Magnet operating principle	Yes
Variable flow direction	Yes	Thrust operating principle	No
With insulation	No	With automatic de-aerator	No
Separator type	Dirt	Partial flow principle	No
Connection	Flange	Principle full flow with settling	Yes
Model	Horizontal	With integrated replenishment automat	No
Nominal diameter	DN 100	With couplers	Yes
Max. glycol mixture	50 %	Cleaning possible during operation	Yes
Suitable for heating	Yes	Material of connection	Steel
Suitable for cooling	Yes	Inlet/outlet offset distance	0 mm
Construction length	475 mm	Flow-through capacity	0 - 47 m ³ /h
Article compression class	PN 10	Operating principle	Magnet
Surface protection	Lacquered	Magnet location	Internal
Suitable for open system	No	Flange standard	DIN

Disclaimer

This product sheet has been compiled with the greatest possible care. Nevertheless, it may contain errors or omissions. For the most current and correct information we refer you to our website

