

Wall mounted receptacle

Part number: 733



MENNEKES
Elektrotechnik GmbH & Co. KG

Aloys-Mennekes-Straße 1
57399 Kirchhundem
GERMANY

www.MENNEKES.org

Product Description

- screw connection technology
- nickel plated contacts, highly heat resistant contact carrier
- internal fixing
- 25° inclination
- enclosure can be turned 180°
- receptacle is designed for adding an auxiliary contact switch

Technical Details

Wall mounted receptacle	733
Ampere	16A
Number of poles	7p
Clock position	9h
Nominal voltage AC	230V
Nominal frequency	50 - 60 Hz
Protection type IP	IP44
Contact carrier	nickel plated contacts, highly heat resistant contact carrier
X-CONTACT	no
Connection	screw terminals
Contact screw drive	PZ2, slot
Screw drive external screws	PZ2, slot
Pilot contact	without pilot contact
Pilot contact switch	no
Cable entry at the top	1 x M25
Cable entry at the bottom	2 x M25 (blind)
Blind cable entry at the rear	no
Enclosure base can be turned 180°	yes
Insertion direction	angled
Inclination	25°
Type of mounting	internal fixing
Highly resistant to chemicals	no
Military version	no
Lockable	no

Wall mounted receptacle	733
Tightening torque connection terminal for cable cross-section 1,0 - 1,5 mm ²	0.6 Nm
Tightening torque connection terminal for cable cross-section 2,5 - 4,0 mm ²	0.8 Nm
Tightening torque connection terminal for cable cross-section 6 - 10 mm ²	1.2 Nm
Strip length PH + N solid conductor	8 - 10 mm
Strip length PE solid conductor	12 - 17 mm
Conductor cross-section min.	1.5 mm ²
Conductor cross-section max.	4 mm ²
Weight (net)	335 g
Packaging unit	10 pcs
Quantity per pallet	540 pcs
EAN / identification number	4015394005575

Permissible ambient conditions		
	Min.	Max.
Permissible ambient temperature	-25 °C	40 °C
Average temperature over 24 hours		35 °C

Material properties	
Base	PA6 light grey [similar RAL 7035]
Upper part	PC/PET light grey [similar RAL 7035]
Hinged lid	PC blue [similar RAL 5007]
External screws	steel galvanised

Material resistance

The material resistance overview can be found on the website in the section "Knowledge" - "Product knowledge" - "Materials".

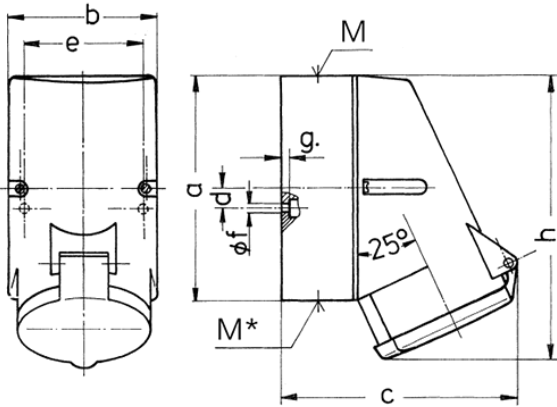
Material and environmental properties

RoHS 2011/65/EU incl. 2015/863/EU	✓
POP regulation (EU) 2019/1021	✓
Halogen-free	no

Regulations and Standards

Norm	DIN EN IEC 60309-2
Declaration of Conformity	CE
Test label	EAC, CQC

Dimensional Drawing



Drawing 1 MB 257	Amp. Poles	16		32	
		7		7	
Dim. in mm	a	128	128	128	128
	b	84	84	84	84
	c	124	138	138	138
	d	11	11	11	11
	e	68	68	68	68
	f	5.3	5.3	5.3	5.3
	g.	4	4	4	4
	h	145	160	160	160
	M	25	32	32	32
	M*	2x25 (blind) to be cut out		2x25 (blind) to be cut out	
	Max. cable diam. (mm)	18	25	25	25
	Terminal for cond. cross section (mm ²) min.-max.	1.5	2.5	2.5	2.5
		—4	—	—	—10