

Product data sheet Spirotech

Product name

SpiroTrap - $\frac{3}{4}$ " -Hor

Product properties

A brass dirt separator with a 22 mm - 2" horizontal connection

- Very small particles, from 5 μm (= 0.005 mm) are separated and removed
- Dirt can be drained while the system is in operation
- No shut-off valves or bypass required
- Constant low pressure drop
- Maintenance only takes a few seconds and is not a dirty job compared to a filter solution
- Applicable with 50/50 Ethylene Glycol / Water (Volume)
- No unnecessary downtime
- Horizontal connections
- Connection diameters from 22 mm to 2" (G2)

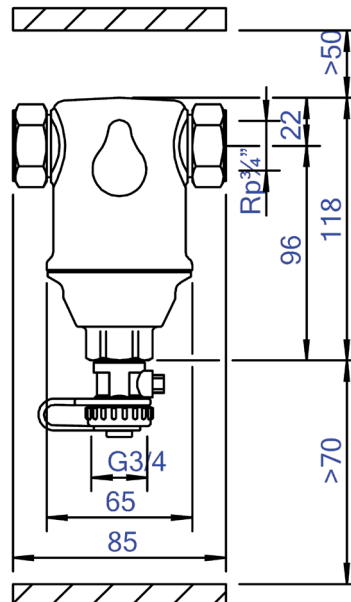
Article number

AE075

Product image



Product dimensions



Product data sheet Spirotech

ETIM product data

Housing material	Brass
With drain valve	Yes
Housing material quality	Other
Backwash filter	No
Medium temperature (continuous)	0 - 110 °C
Max. operating pressure	10 bar
KVS value [m ³ /h] at ΔP 1 bar	10.96
Variable flow direction	Yes
With insulation	No
Separator type	Dirt
Connection	Internal thread cylindrical BSPT-Rp (ISO 7-1 / EN 10226-1)
Model	Horizontal
Nominal diameter	3/4 inch (20)
Max. glycol mixture	50 %
Suitable for heating	Yes
Suitable for cooling	Yes
Construction length	85 mm
Article compression class	PN 10
Surface protection	Untreated

Suitable for open system	No
Suitable for closed system	Yes
Suitable for solar	No
Whirl operating principle	No
Negative pressure operating principle	No
With dismountable filter	No
Filter volume	0.18 l
Magnet operating principle	No
Thrust operating principle	No
With automatic de-aerator	No
Partial flow principle	No
Principle full flow with settling	Yes
Cleaning possible during operation	Yes
With couplers	Yes
Inlet/outlet offset distance	0 mm
Material of connection	Brass
Material quality connection	Other
Flow-through capacity	0 - 1.3 m ³ /h

Disclaimer

This product sheet has been compiled with the greatest possible care. Nevertheless, it may contain errors or omissions. For the most current and correct information we refer you to our website

