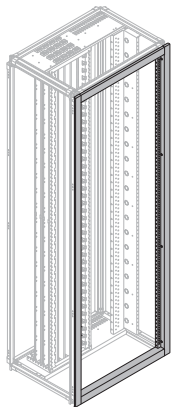
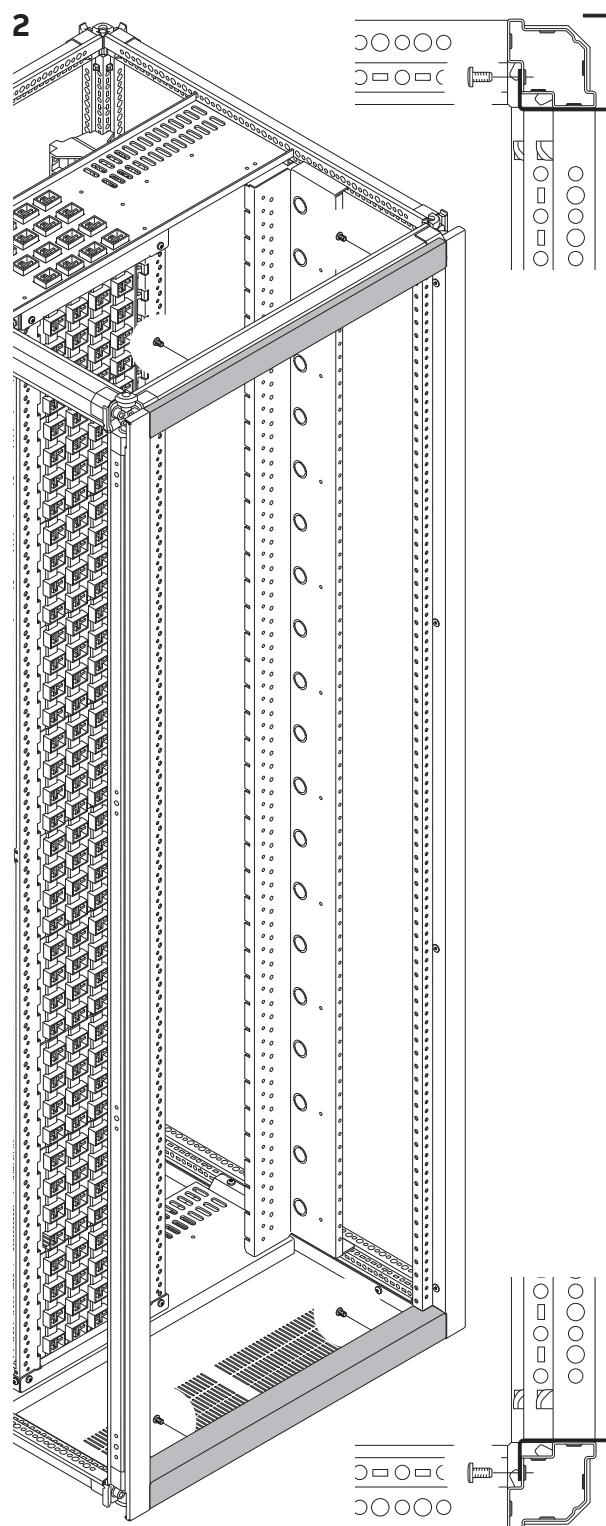
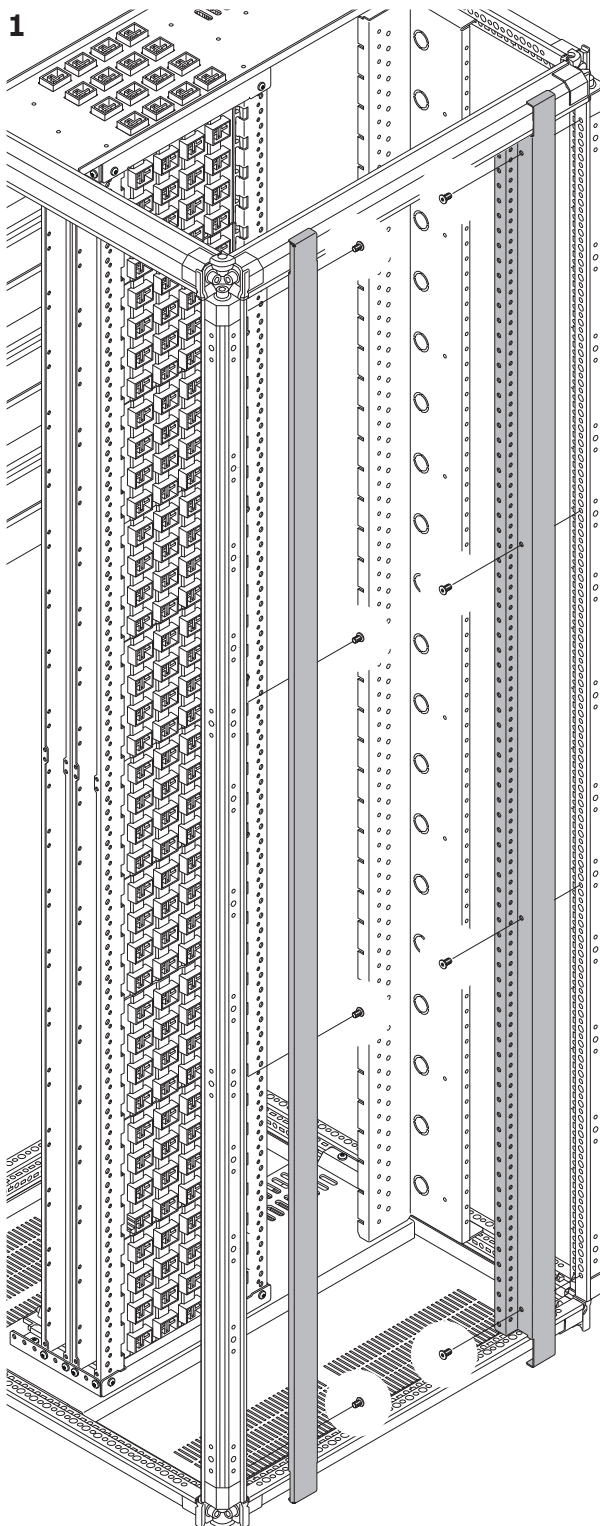


System pro E power

1STQ005710B0000



24x M6x10 Torx 30



Warning! Installation by person with electrotechnical expertise only.

Warnung! Installation nur durch elektrotechnische Fachkraft.

Avvertenza! Fare installare solo da un elettricista qualificato.

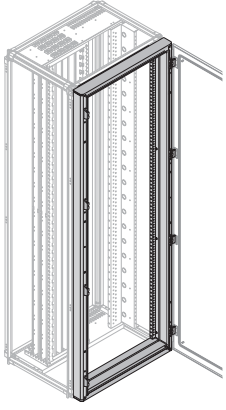
Avertissement! Installation uniquement par des personnes qualifiées en électrotechnique.

¡Advertencia! La instalación deberá ser realizada únicamente por electricistas especializados.

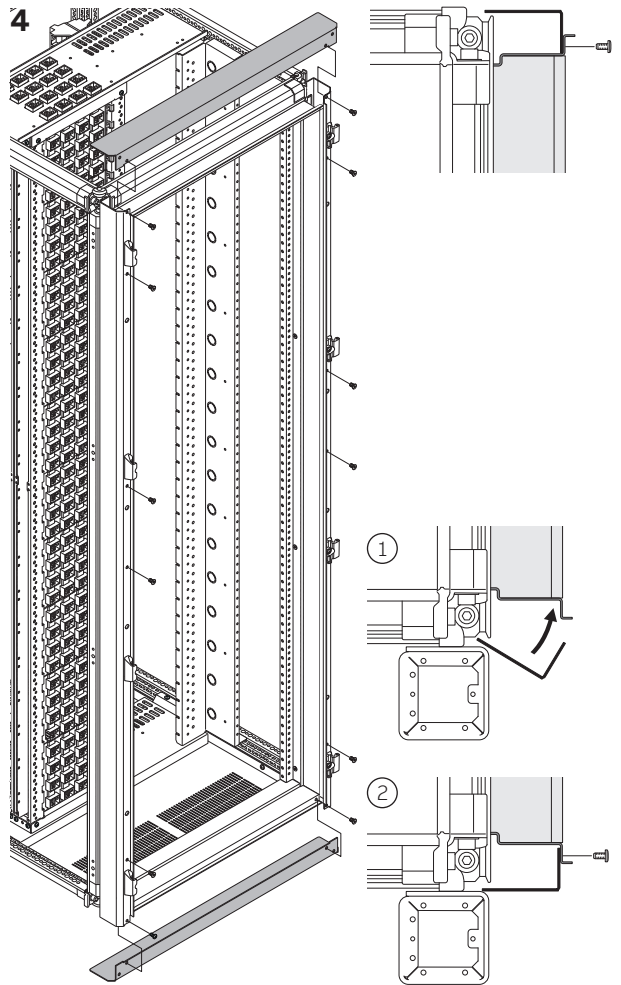
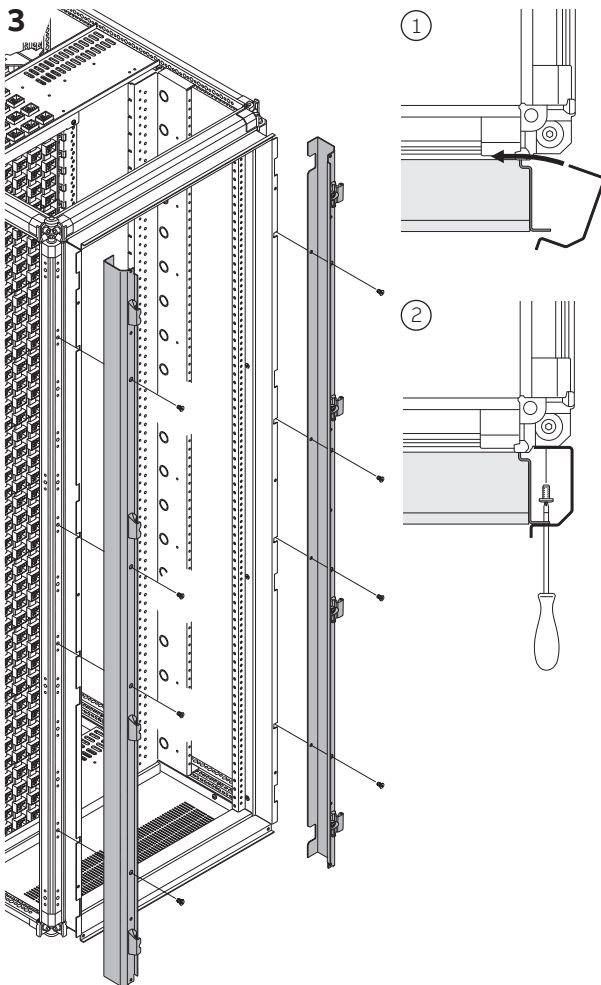
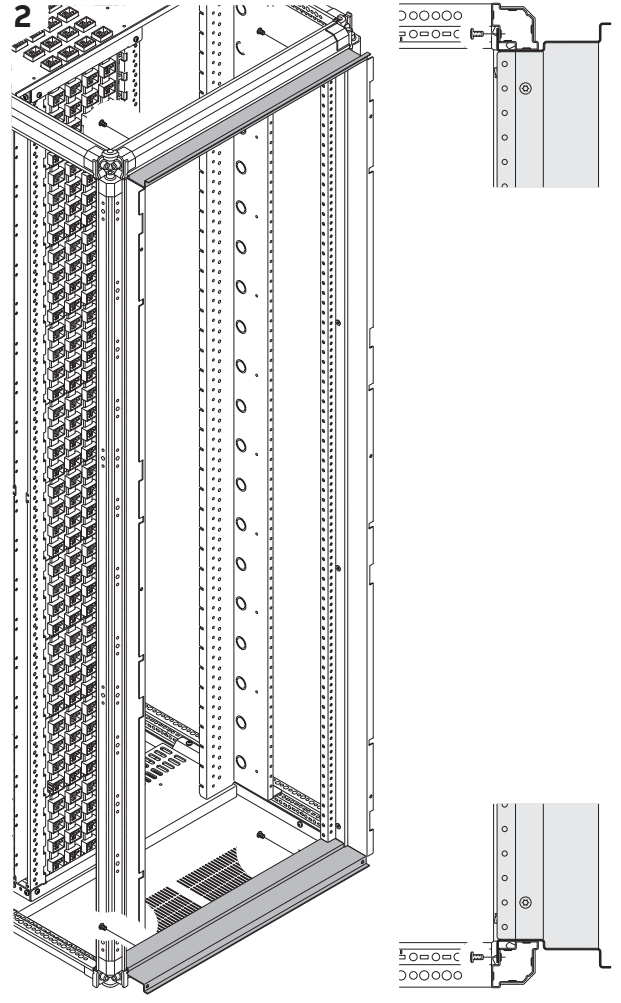
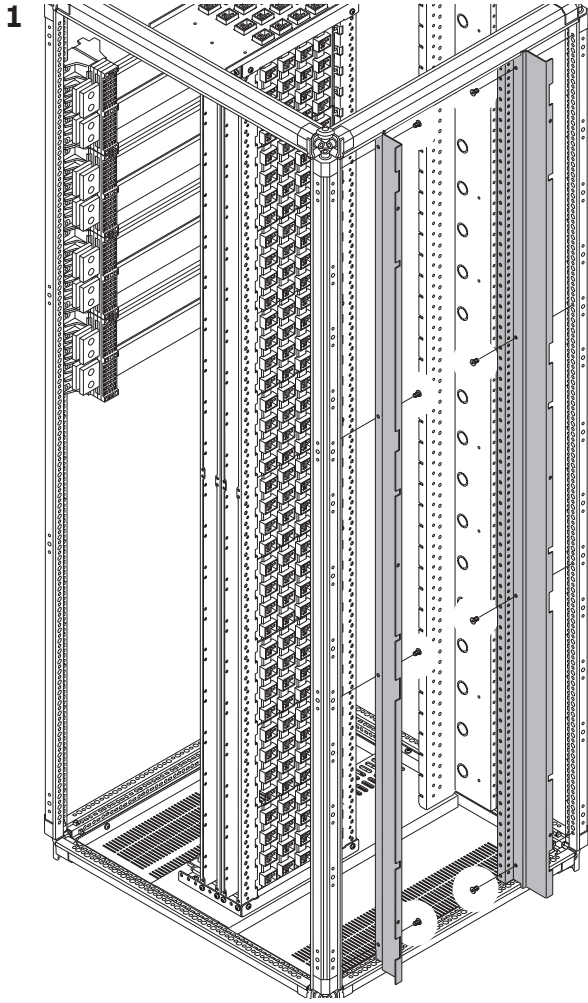
Внимание! Установка должна выполняться только специалистами-электриками.

Uwaga! Instalacja powinna być wykonywana wyłącznie przez elektryków.

1STQ007482B0000



24x M6x10 Torx 30

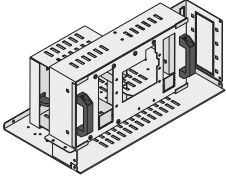


WFD

WWD

1STQ00- - - - B0000

5716 to 5723
7638 to 7645

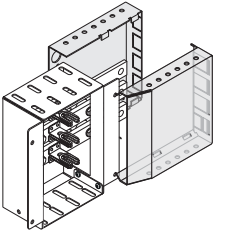


8x M6x10 Torx 30

WWD

1STQ00- - - - B0000

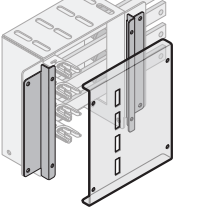
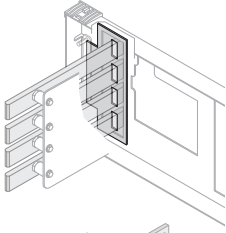
5747 to 5752
7646 to 7651



XXx M6x10 Torx 30

1STQ00- - - - B0000

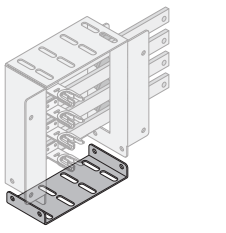
8168 to 8172



OPTIONAL FOR INCOMER

8x M6x10 Torx 30

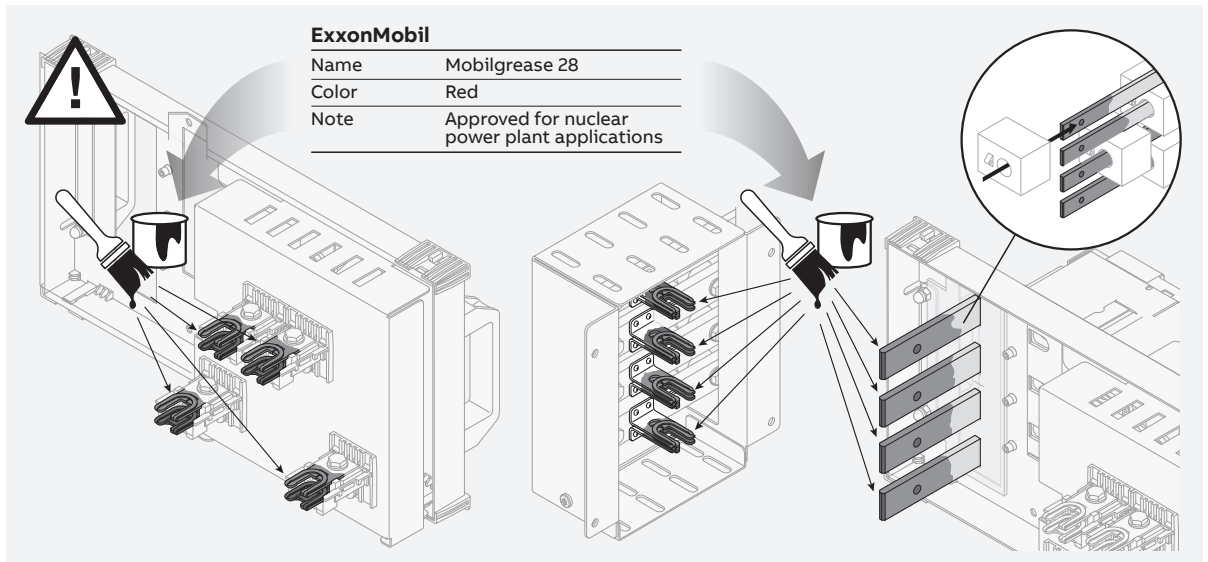
1STQ006045B0000



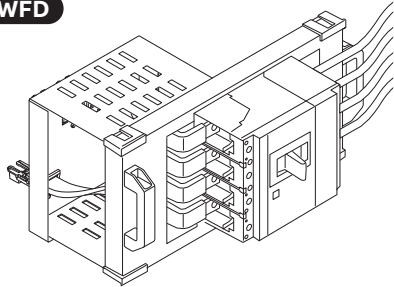
4x M6x10 Torx 30

ExxonMobil

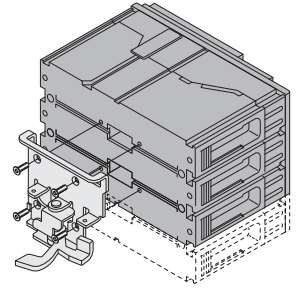
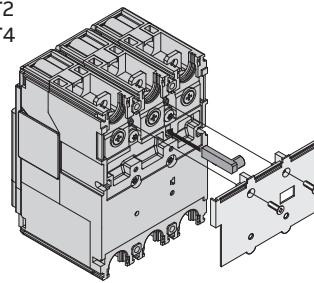
Name	Mobilgrease 28
Color	Red
Note	Approved for nuclear power plant applications



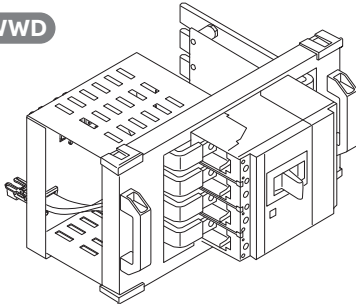
WFD



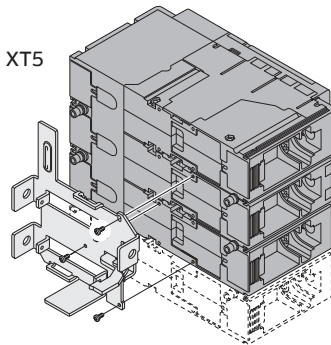
XT2
XT4



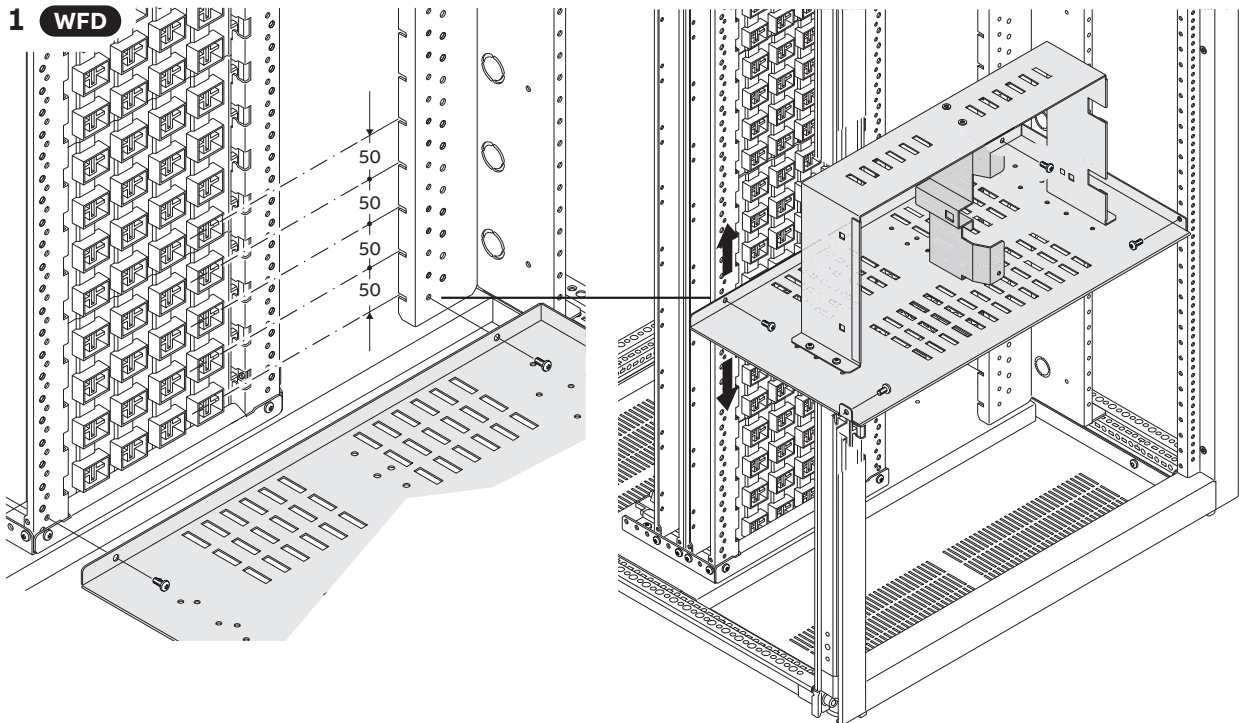
WWD



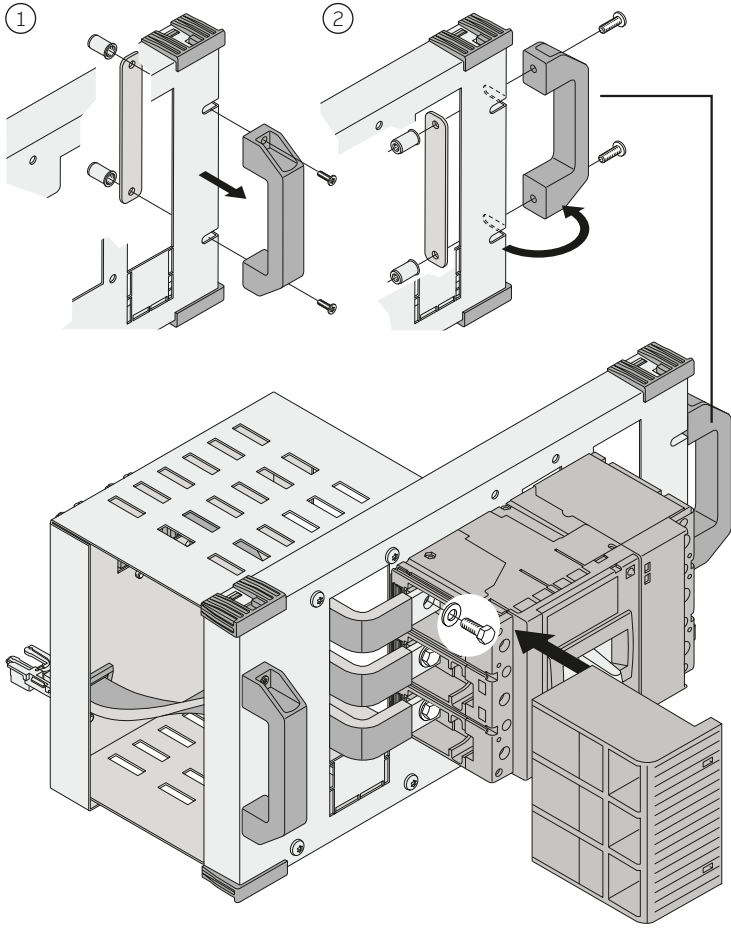
XT5



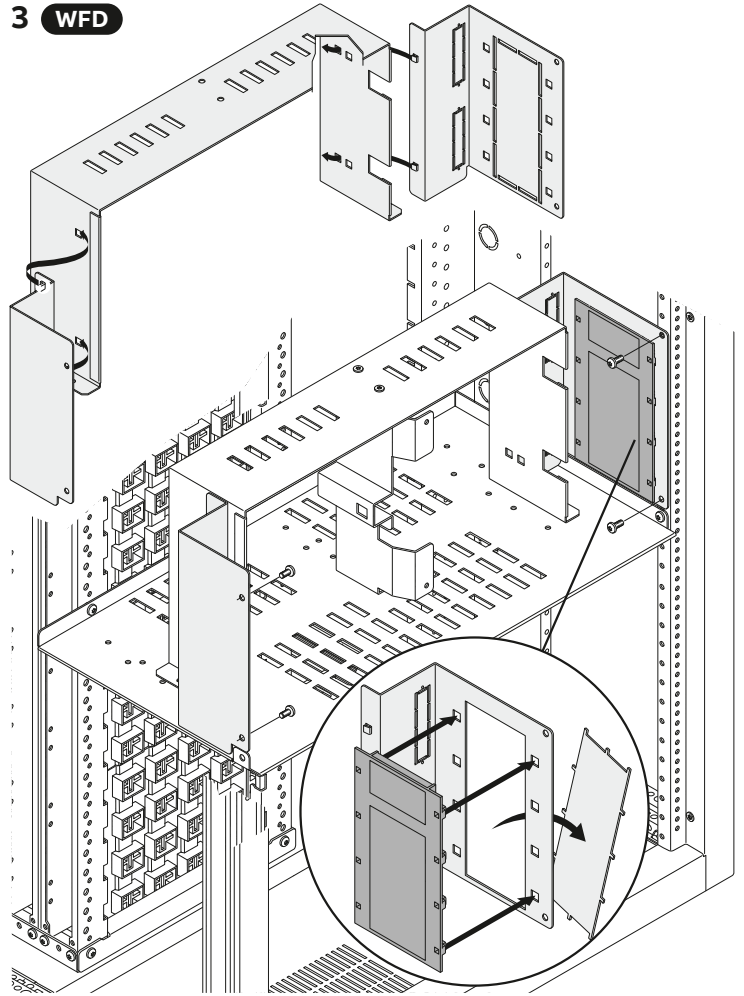
1 WFD



2 WFD

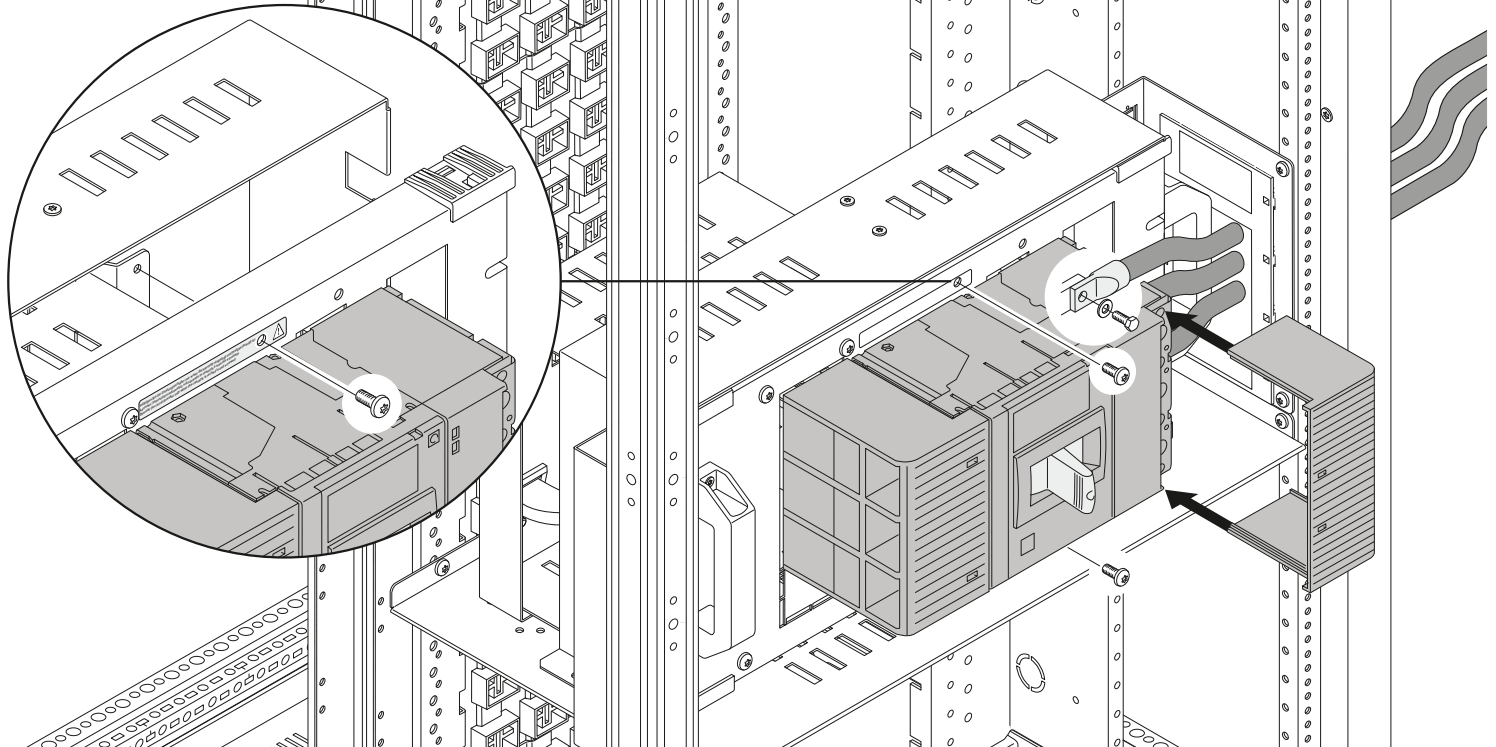


3 WFD

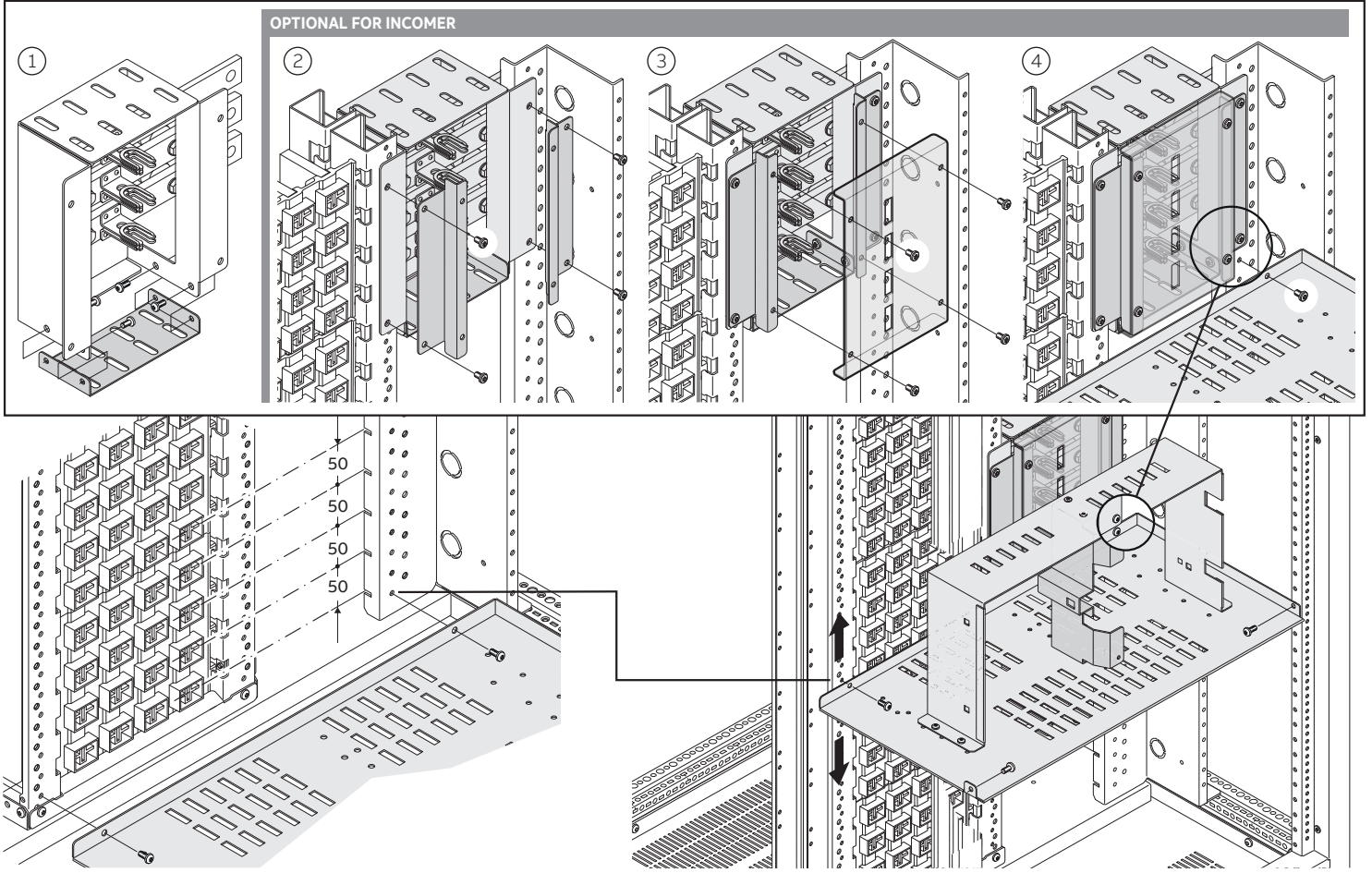


4 WFD

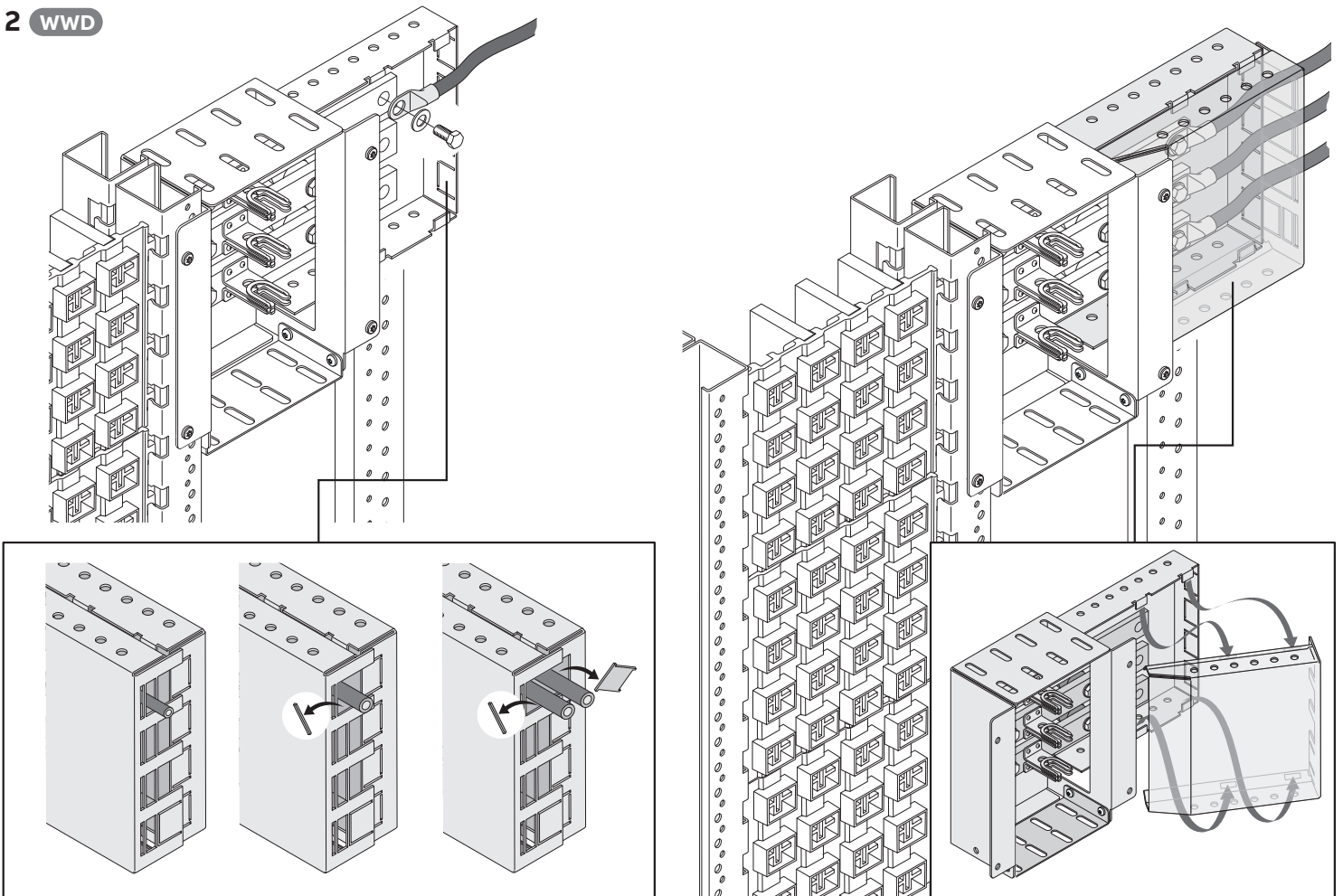
betätigen Sie der Leistungsschalter nur, wenn die cassette eingelegt und festgeschraubt ist
Azionare l'interruttore automatico solo quando la cassetta è inserita e avvitata
Operate the circuit breaker only when the cassette is racked in and screwed



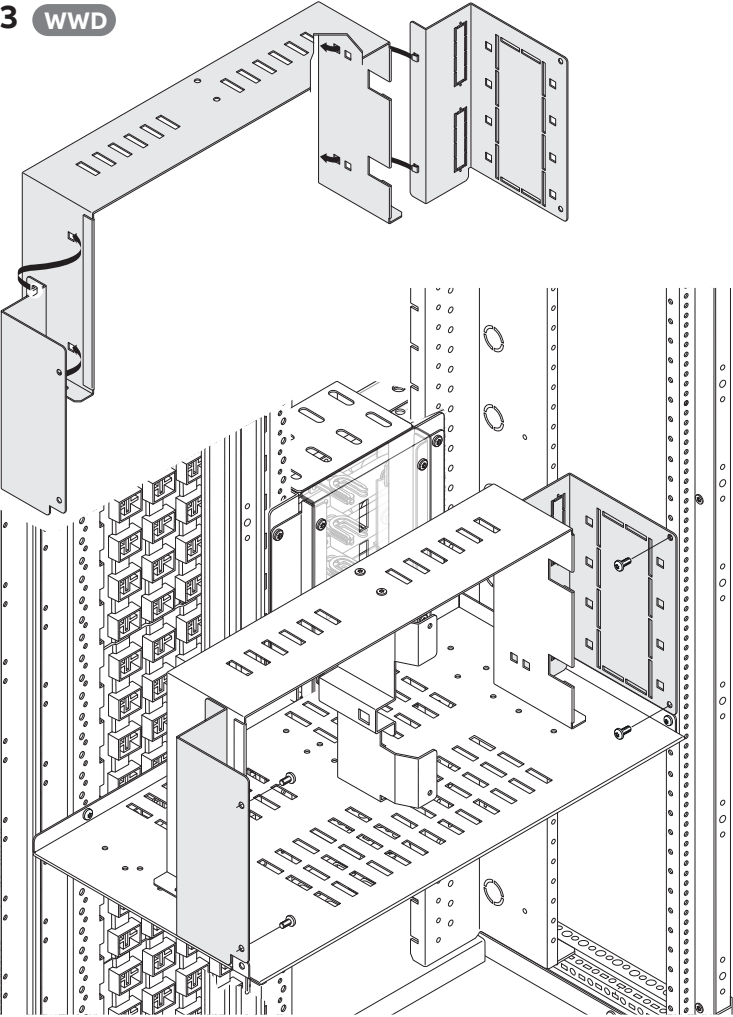
1 WWD



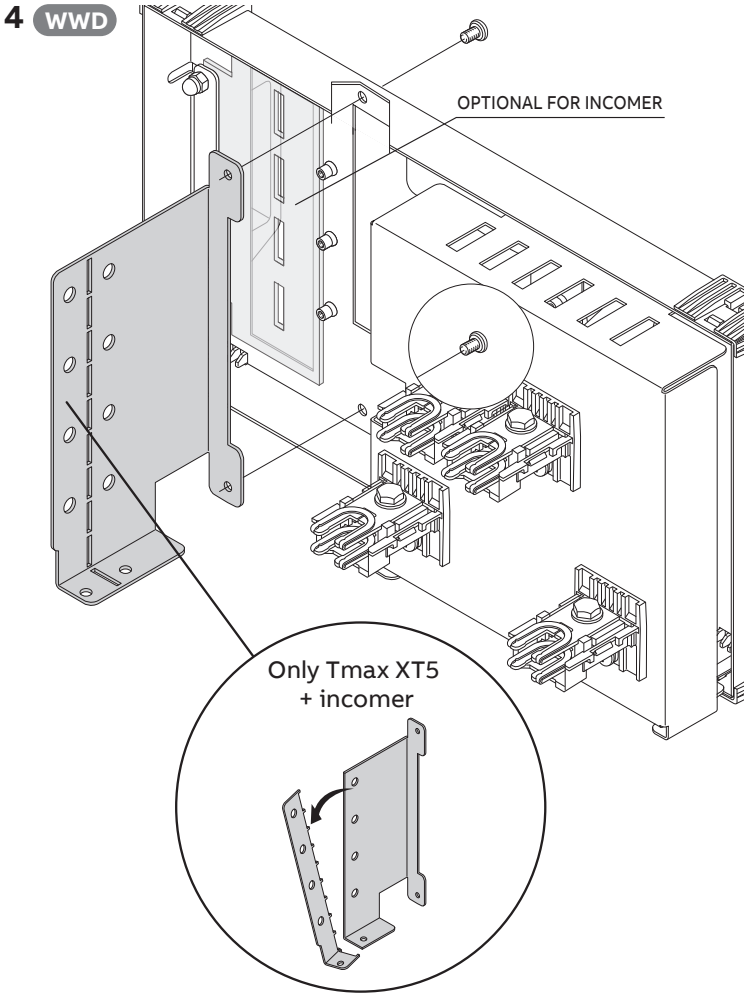
2 WWD



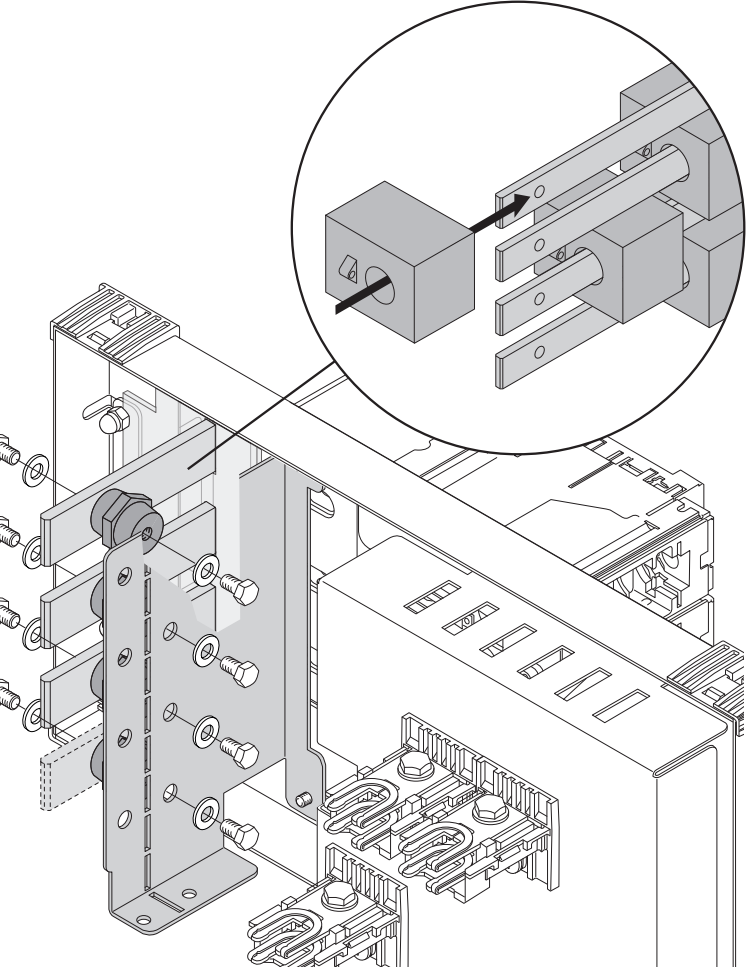
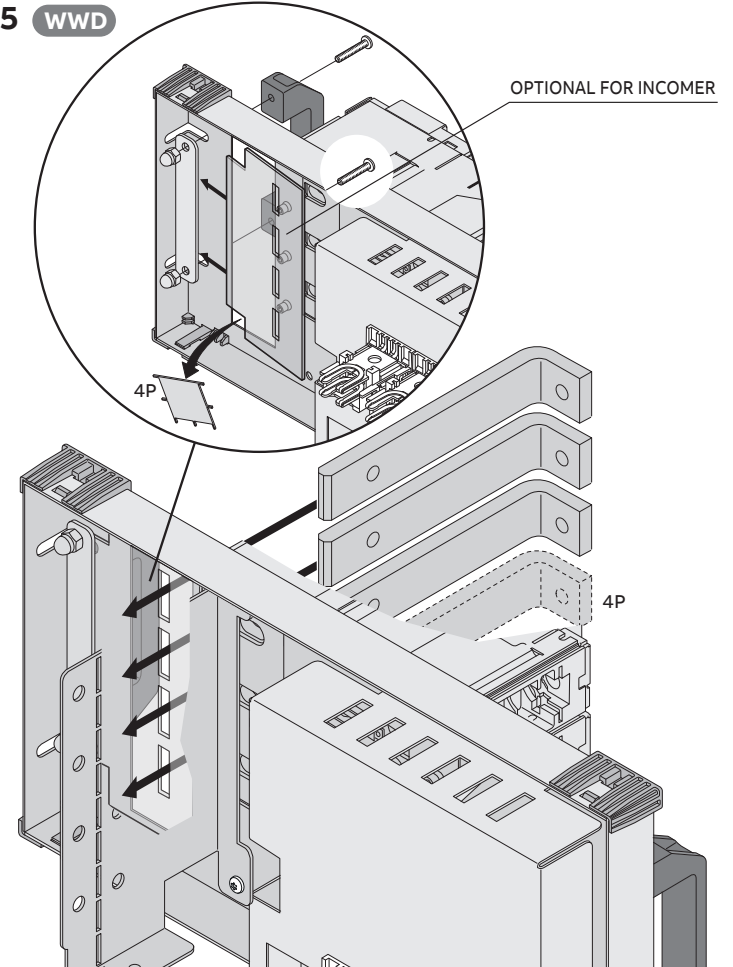
3 WWD



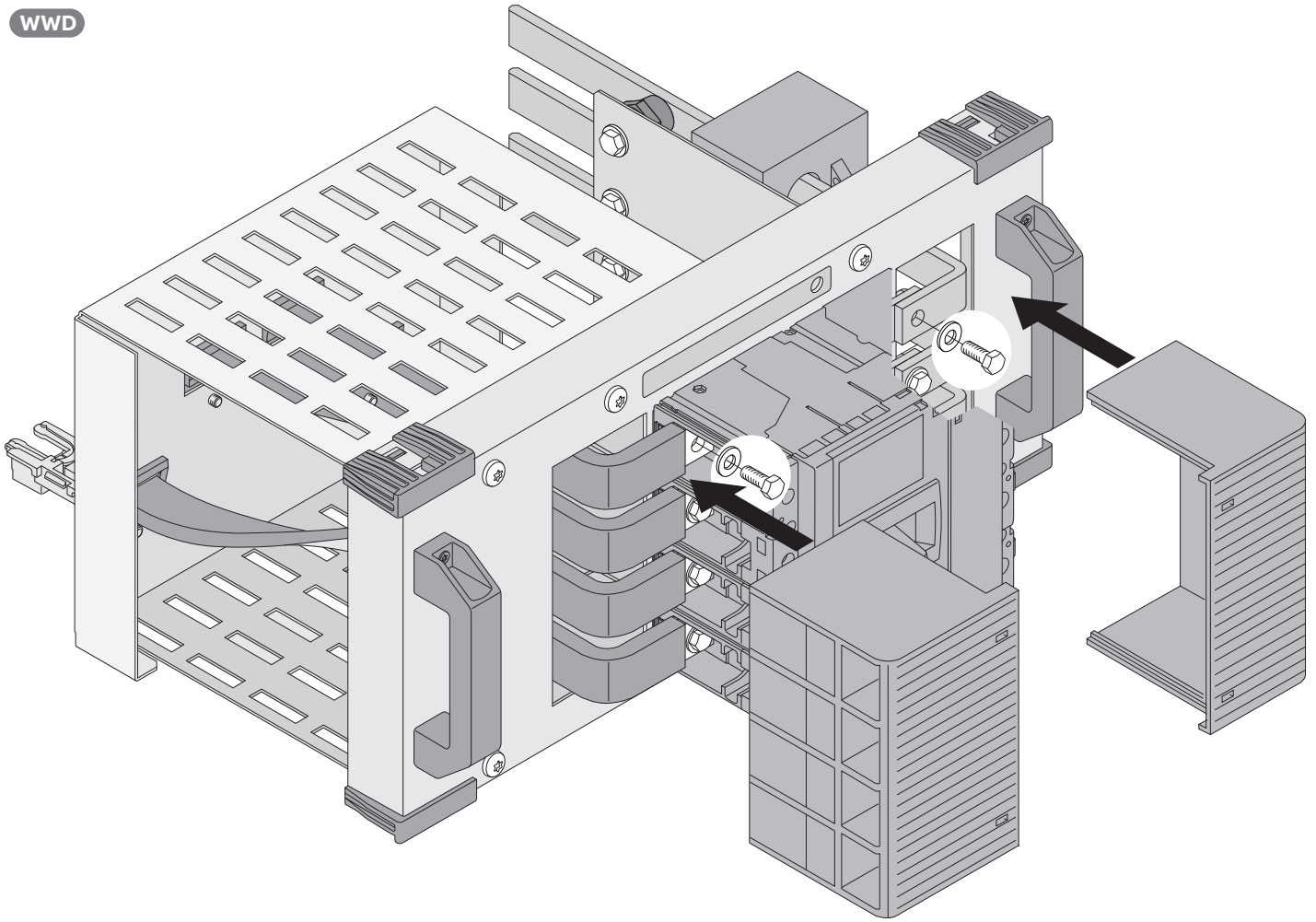
4 WWD



5 WWD

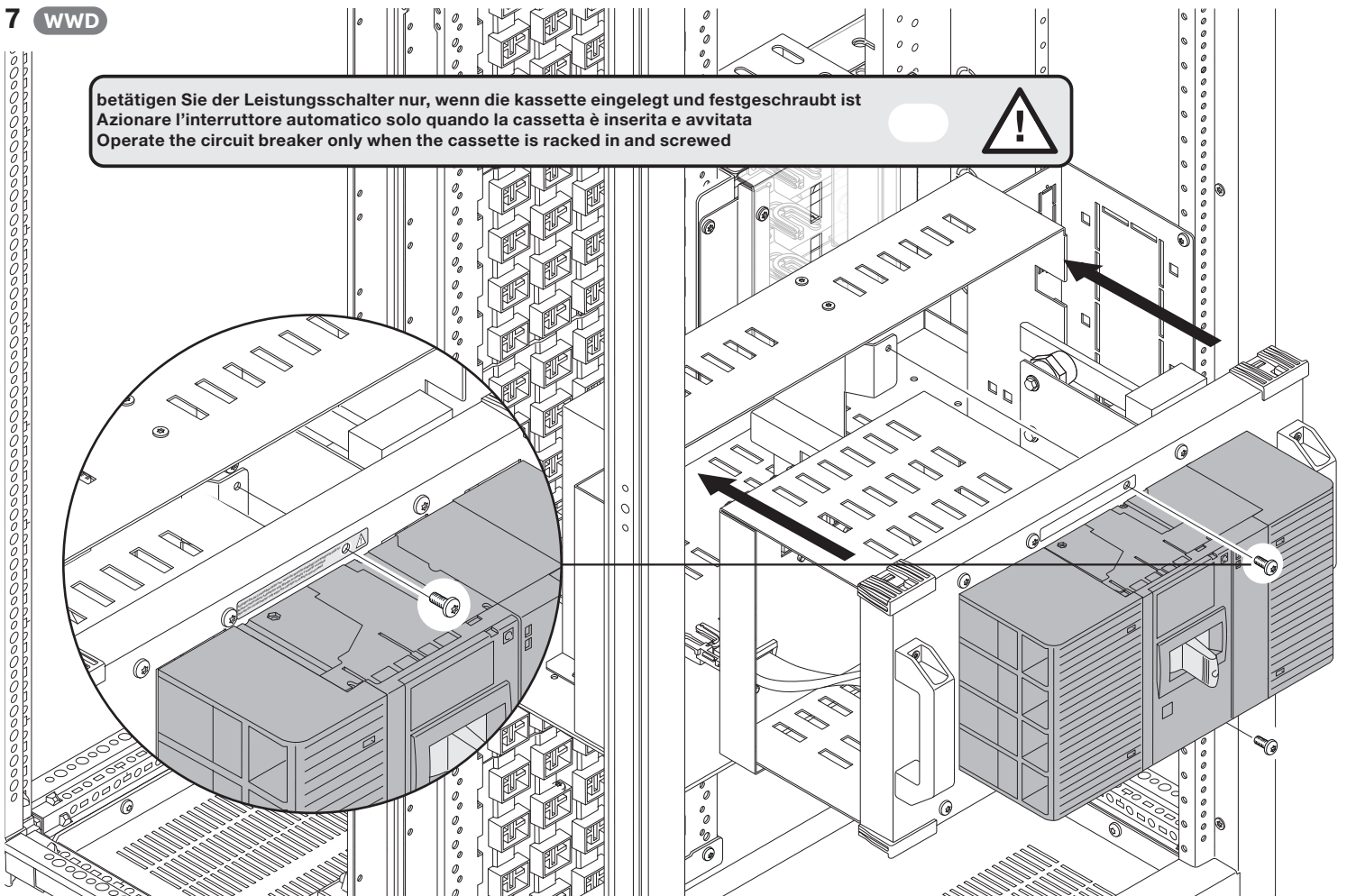


6 WWD



7 WWD

betätigen Sie den Leistungsschalter nur, wenn die Kassette eingelegt und festgeschraubt ist
 Azionare l'interruttore automatico solo quando la cassetta è inserita e avvitata
 Operate the circuit breaker only when the cassette is racked in and screwed

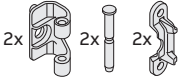
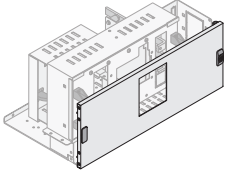


WFD

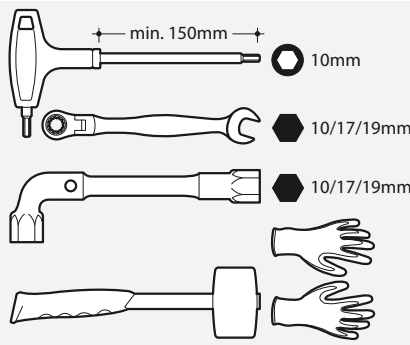
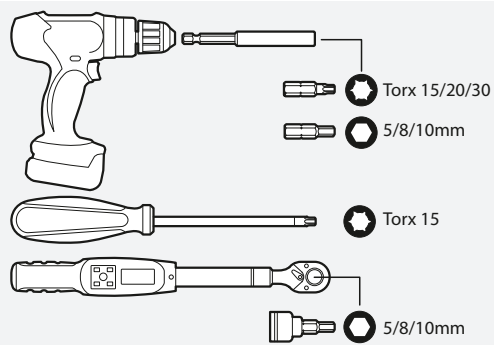
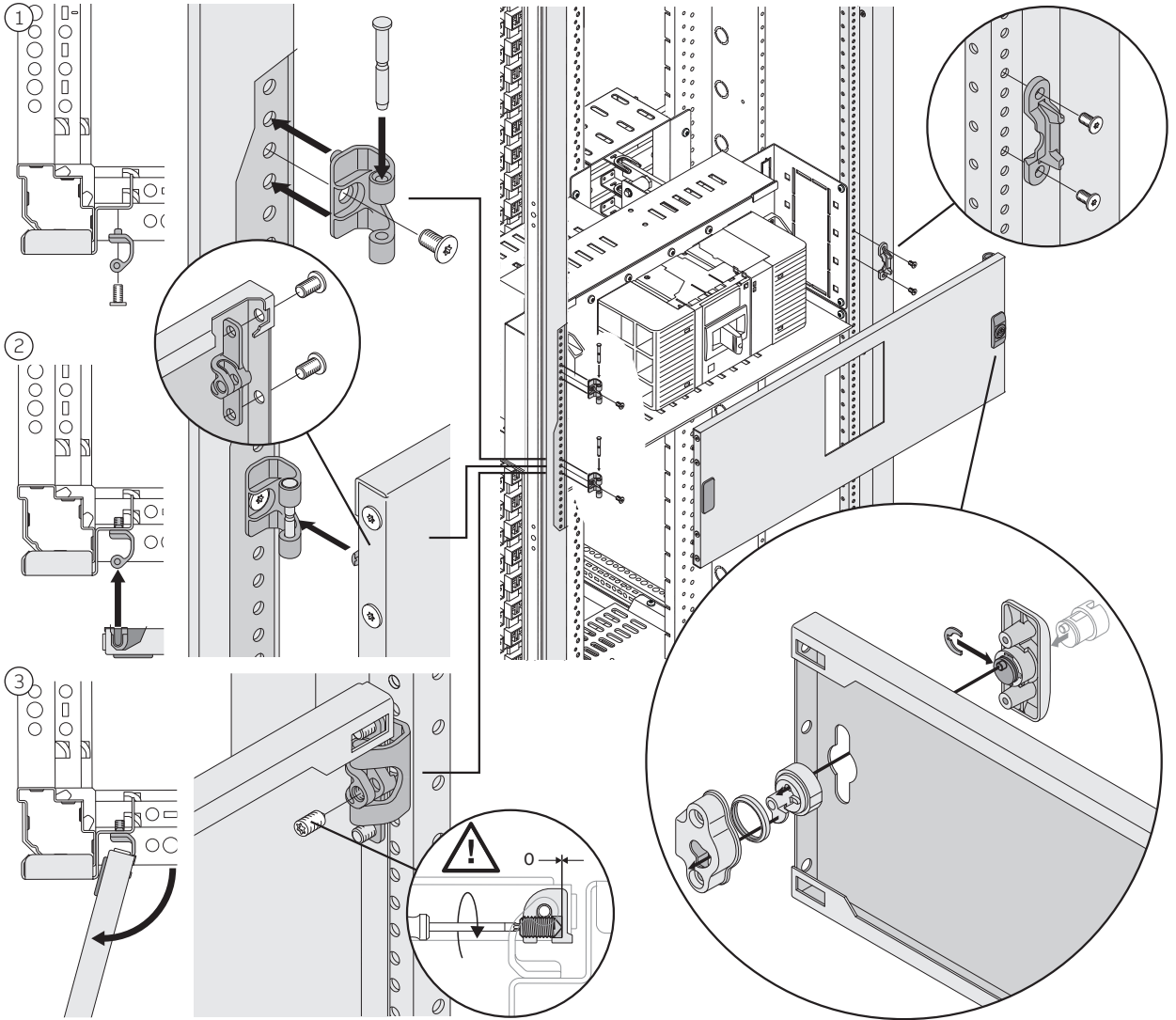
WWD

1STQ00- - - - B0000

5732 to 5743
5763 to 5774
7798 to 7809



6 x M6x10 Torx 30



		max [Nm]
	M6	5
	M6	6
	M6	9÷10
	M6	9÷10
	M8	22÷24
	M10	43÷48
	M12	74÷82
	TCEI M6	20
	TCEI M10	20
	TCEI M12	20

ABB S.p.A
Electrification Business - Smart Power

ABB SACE Division
58, Via Italia
I-23846 Garbagnate Monastero (LC)
Phone: +39 031 3570.111
Fax: +39 031 3570.228
www.abb.com



Due to possible developments of standards as well as of materials, the characteristics and dimensions specified in this document may only be considered binding after confirmation by ABB SACE.