

# Technische Daten/ Technical Data

KLUDI NOVA FONTE  
wall mounted basin mixer  
DN 15  
Style: Puristic

Ref.: 20144N515

Finishes:  
N5 Stainless Brushed Nickel PVD

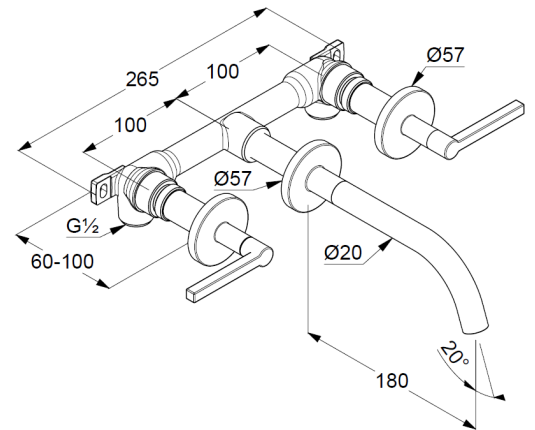
Product description  
Manufacturer KLUDI GmbH & Co. KG  
Typ: KLUDI NOVA FONTE  
wall mounted basin mixer  
projection 180mm  
Ref.: 20144N515

wall mounted basin mixer  
concealed basin mixer  
2-handle mixer  
pre-installation set with trim set  
wall mounted  
3-hole mounted  
wing handle, metal  
aerator M18,5 PCA laminar  
ceramic headparts 90° (right/left)  
flow rate at 3 bar 5,6 l/min.

## Produktabbildung/ Product picture



## Maßzeichnung/ Dimensional drawing



## Durchfluss/ Flow rate

