

Wall mounted receptacle

Part number: 1346



MENNEKES
Elektrotechnik GmbH & Co. KG

Aloys-Mennekes-Straße 1
57399 Kirchhundem
GERMANY

www.MENNEKES.org

Product Description

- screwless, with insulation displacement technology TwinCONTACT
- external fixing, prepared for internal fixing
- 15° inclination

Technical Details

| Wall mounted receptacle | 1346 |
|-----------------------------------|--|
| Ampere | 32A |
| Number of poles | 3p |
| Clock position | 6h |
| Nominal voltage AC | 230V |
| Nominal frequency | 50 - 60 Hz |
| Protection type IP | IP44 |
| Contact carrier | standard |
| X-CONTACT | no |
| Connection | insulation displacement technology - TwinCONTACT |
| Screw drive external screws | PZ2, slot |
| Pilot contact | without pilot contact |
| Pilot contact switch | no |
| Cable entry at the top | 1 x M25x1,5 |
| Blind cable entry at the rear | no |
| Enclosure base can be turned 180° | no |
| Insertion direction | angled |
| Inclination | 15° |
| Type of mounting | external fixing, prepared for internal fixing |
| Highly resistant to chemicals | no |
| Military version | no |
| Lockable | no |
| Strip length jacket | 120 mm |
| Strip length solid conductor | 18 mm |
| Conductor cross-section min. | 2.5 mm ² |
| Conductor cross-section max. | 6 mm ² |
| Weight (net) | 310 g |

| | |
|-----------------------------|---------------|
| Wall mounted receptacle | 1346 |
| Packaging unit | 10 pcs |
| Quantity per pallet | 540 pcs |
| EAN / identification number | 4015394213949 |

Permissible ambient conditions

| | Min. | Max. |
|-----------------------------------|--------|-------|
| Permissible ambient temperature | -25 °C | 40 °C |
| Average temperature over 24 hours | | 35 °C |

Material properties

| | |
|-----------------|-----------------------------------|
| Base | PA6 light grey [similar RAL 7035] |
| Upper part | PA6 blue [similar RAL 5007] |
| Front part | PA6 blue [similar RAL 5007] |
| Hinged lid | PC blue [similar RAL 5007] |
| External screws | steel galvanised |

Material resistance

The material resistance overview can be found on the website in the section “Knowledge” - “Product knowledge” - “Materials”.

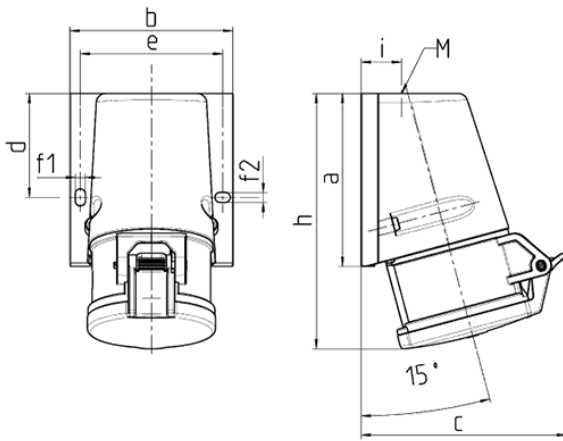
Material and environmental properties

| | |
|-----------------------------------|-----|
| RoHS 2011/65/EU incl. 2015/863/EU | ✓ |
| POP regulation (EU) 2019/1021 | ✓ |
| Halogen-free | yes |

Regulations and Standards

| | |
|---------------------------|------------------------------|
| Norm | DIN EN IEC 60309-2 |
| Declaration of Conformity | CE |
| Test label | CB Zertifikat, VDE, EAC, CQC |

Dimensional Drawing



| Drawing 1 MB 463 | Amp. Poles | 16 | | | 32 | | |
|---|---------------|------|-------|-------|-------|-------|-------|
| | | 3 | 4 | 5 | 3 | 4 | 5 |
| Dim. in mm | a | 95 | 93 | 92.5 | 102 | 102 | 102 |
| | b | 73.5 | 87.5 | 87.5 | 94 | 94 | 94 |
| | c | 93 | 107.5 | 110 | 115.5 | 115.5 | 119.5 |
| | d | 55.5 | 55.5 | 55.5 | 62 | 62 | 62 |
| | e | 61 | 76 | 76 | 84 | 84 | 84 |
| | f1 | 5.3 | 5.3 | 5.3 | 5.1 | 5.1 | 5.1 |
| | f2 | 5.3 | 5.3 | 5.3 | 5.1 | 5.1 | 5.1 |
| | h | 139 | 139 | 136.5 | 160 | 160 | 156.5 |
| | i | 19.8 | 21.5 | 21.5 | 26.5 | 26.5 | 26.5 |
| | M | M20x | M25x | M25x | M25x | M32x | M32x |
| Terminal for cond. cross section (mm ²) min.-max. | | 1.5 | 1.5 | 1.5 | 1.5 | 1.5 | 1.5 |
| | | 1.5 | 1.5 | 1.5 | 2.5 | 2.5 | 2.5 |
| | | -4 | -4 | -4 | -6 | -6 | -6 |