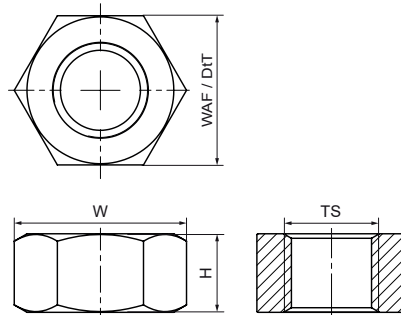


Walraven Stainless Steel Hexagon Nut

(M8010)

for threaded connections



Features & benefits

- material: A4-80 (1.4401/ AISI 316)
- M10 and M12 tested for fire safety according to EN 1363-1



Product Number	VVS Number	Norm / Standard	Thread Size	Width Across Flats	Total Depth	Total Height	Total Width	Colour
<i>Reference letter</i>			<i>TS</i>	<i>WAF</i>	<i>DtT</i>	<i>H</i>	<i>W</i>	
<i>Unit description</i>				<i>mm</i>	<i>mm</i>	<i>mm</i>	<i>mm</i>	
6127006		DIN 934	M6	10	10	5	12	Stainless Steel
6127008	018043358	DIN 934	M8	13	13	7	15	Stainless Steel
6127010	018043360	DIN 934	M10	17	17	8	20	Stainless Steel
6127012	018043362	DIN 934	M12	19	19	10	22	Stainless Steel
6127016	018043366	DIN 934	M16	24	24	13	28	Stainless Steel