

Technische Daten/ Technical Data

KLUDI NOVA FONTE
wall mounted basin mixer
DN 15
Style: Puristic

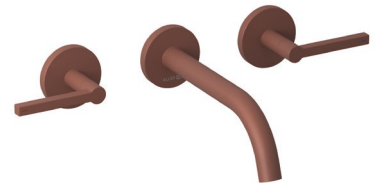
Ref.: 20144O515

Finishes:
O5 Matt Vermillion

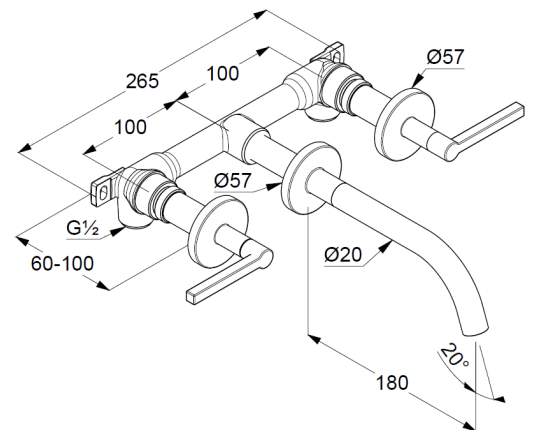
Product description
Manufacturer KLUDI GmbH & Co. KG
Typ: KLUDI NOVA FONTE
wall mounted basin mixer
projection 180mm
Ref.: 20144O515

wall mounted basin mixer
concealed basin mixer
2-handle mixer
pre-installation set with trim set
wall mounted
3-hole mounted
wing handle, metal
aerator M18,5 PCA laminar
ceramic headparts 90° (right/left)
flow rate at 3 bar 5,6 l/min.

Produktabbildung/ Product picture



Maßzeichnung/ Dimensional drawing



Durchfluss/ Flow rate

