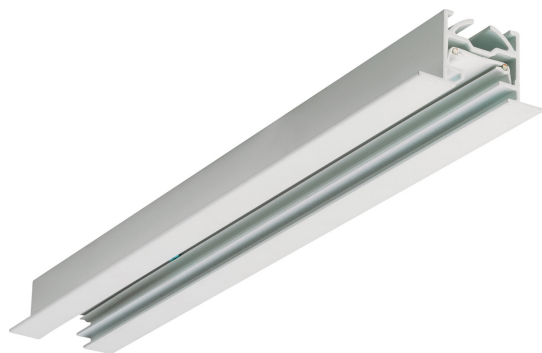


# Concord

Lytespan 1 single circuit - 3m - standard track unit - silver  
2046533



## Features

- Lytespan 1 - Single Circuit Track, extruded aluminium body, suitable for surface mounting and suspending, (LxWxH) 3000x30x20mm, 1.50kg, Silver RAL 9006, Class 1, maximum installed load: 1x3840W (1x3680W), fuse: 1x16A, supply cable: 3 x 1.5mm<sup>2</sup>, 240 (230) VAC supply

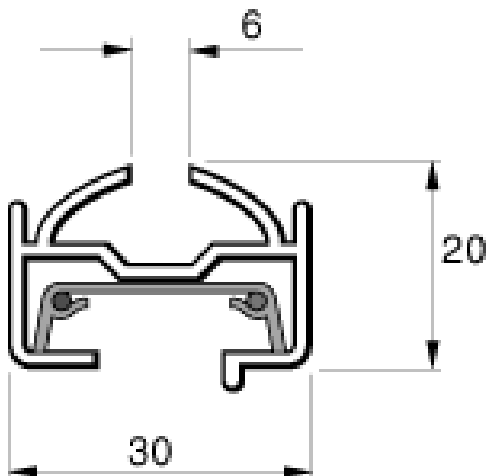
## Product Overview

Product name	Lytespan 1 single circuit - 3m - standard track unit - silver
Technology	Accessory
Mount	Ceiling surface mounting
Environment	Interior
Housing colour	Silver
Product EAN number	5025768465330
Warranty	5 years

# Concord

Lytespan 1 single circuit - 3m - standard track unit - silver  
**2046533**

## Technical drawings



## Data table

### GENERAL DATA

Product name	Lytespan 1 single circuit - 3m - standard track unit - silver
Technology	Accessory
Mount	Ceiling surface mounting
Environment	Interior
Warranty	5 years

### OPTICAL DATA

Adjustable chromaticity	N
-------------------------	---

### ELECTRICAL DATA

Primary Supply/Product voltage - min (V)	230
Control gear required	No

### PHYSICAL DATA

# Concord

Lytespan 1 single circuit - 3m - standard track unit - silver  
**2046533**

Housing colour	Silver
----------------	--------

Nominal Product Length (mm)	3000
-----------------------------	------

Weight (kg)	1.5
-------------	-----

## PACKAGING

Single packaging type	Carton
-----------------------	--------

Product EAN number	5025768465330
--------------------	---------------

Packaging single width (cm)	4.0
-----------------------------	-----

Packaging single depth (cm)	4.0
-----------------------------	-----

Packaging outer length / height (cm)	305.0
--------------------------------------	-------

## SAFETY DATA

Special purpose lamp	No
----------------------	----

Dry applications use only	No
---------------------------	----

Suitable for household illumination	No
-------------------------------------	----