

12 660 979 Product version up to 5/27/2021



- cover plate 150 x 240 x 15 mm
- flush handle with rotary operation and two-volume technology (full flush/partial flush)

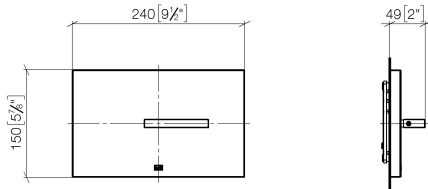
This product is compatible with the following TECE products:

- TECEprofil dry wall construction, article numbers:
9300300, 9300322, 9300301, 9300344, 9300309, 9300303, 9300388, 9300366, 9300102, 9300103, 9300329, 9300377, 9300378, 9400302, 9400303, 9400304, 9041335, 9041336, 9041337
- TECEbox wet wall construction, article numbers:
9370300, 9375300, 9371300

	Matte Black	12 660 979-33
	Chrome	12 660 979-00
	Brushed Platinum	12 660 979-06
	Platinum	12 660 979-08
	Dark Chrome	12 660 979-19
	Light Gold (PVD)	12 660 979-26
	Brushed Light Gold (PVD)	12 660 979-27
	Brushed Durabrass (23kt Gold)	12 660 979-28
	Brushed Gold (PVD)	12 660 979-37
	Brushed Dark Brass (PVD)	12 660 979-39
	Brushed Bronze (PVD)	12 660 979-42
	Brushed Dark Bronze (PVD)	12 660 979-43
	Brushed Champagne (22kt Gold)	12 660 979-46
	Champagne (22kt Gold)	12 660 979-47
	Brushed Chrome	12 660 979-93
	Brushed Dark Platinum	12 660 979-99

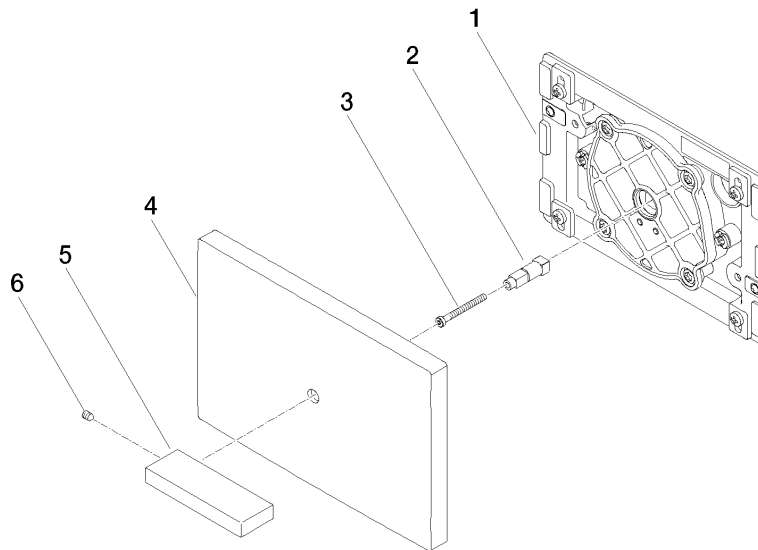
12 660 979 Product version up to 5/27/2021

mm [inches]



12 660 979 Product version up to 5/27/2021

Parts for other finishes can be found here: [Chrome](#)



Spare parts list

No.	Item Number	Name	Quantity used	Delivery time
6	09 31 11 058 90	Mounting Threaded pin with hexagon socket with cup point M5 x 8 mm -	1.00	14
1	04 28 01 053 00 90	Connection 210 x 140 x 25 mm -	1.00	14
3	09 30 30 086 90	Mounting Cylinder head screw with hexagon socket Low profile M4 x 45 mm -	1.00	14
5	09 20 97 057-33	Handle for lever handle set 90 x 30 x 12 mm - Matte Black	1.00	40
2	09 18 20 038 90	Mounting Ø 9,9 x 35 mm -	1.00	14
4	09 11 01 179-33	Cover 240 x 150 x 16 mm - Matte Black	1.00	-

Spare part can no longer be ordered, please order the replacement item