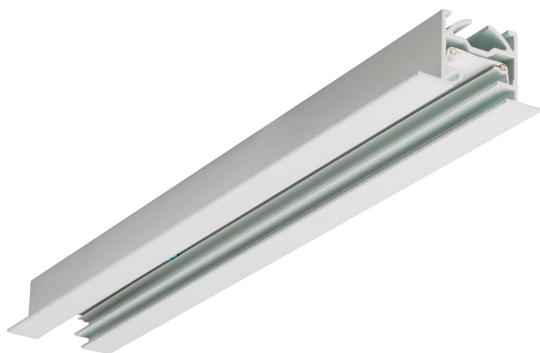


Concord

Lytespan 1 single circuit - 1m - standard track unit - silver
2046531



Features

- Lytespan 1 - Single Circuit Track, extruded aluminium body, suitable for surface mounting and suspending, (LxWxH) 1000x30x20mm, 0.50kg, Silver RAL 9006, Class 1, maximum installed load: 1x3840W (1x3680W), fuse: 1x16A, supply cable: 3 x 1.5mm², 240 (230) VAC supply

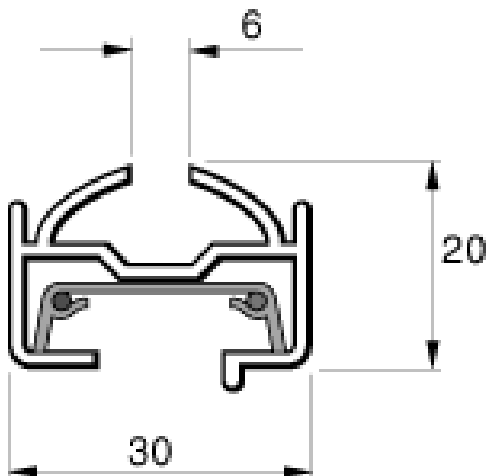
Product Overview

Product name	Lytespan 1 single circuit - 1m - standard track unit - silver
Technology	Accessory
Mount	Ceiling surface mounting
Environment	Interior
Housing colour	Silver
Product EAN number	5025768465316
Warranty	5 years

Concord

Lytespan 1 single circuit - 1m - standard track unit - silver
2046531

Technical drawings



Data table

GENERAL DATA

Product name	Lytespan 1 single circuit - 1m - standard track unit - silver
Technology	Accessory
Mount	Ceiling surface mounting
Environment	Interior
Warranty	5 years

OPTICAL DATA

Adjustable chromaticity	N
-------------------------	---

ELECTRICAL DATA

Primary Supply/Product voltage - min (V)	230
Control gear required	No

PHYSICAL DATA

Concord

Lytespan 1 single circuit - 1m - standard track unit - silver
2046531

Housing colour	Silver
-----------------------	--------

Nominal Product Length (mm)	1000
------------------------------------	------

Weight (kg)	0.5
--------------------	-----

PACKAGING

Single packaging type	Carton
------------------------------	--------

Product EAN number	5025768465316
---------------------------	---------------

Packaging single width (cm)	4.0
------------------------------------	-----

Packaging single depth (cm)	4.0
------------------------------------	-----

Packaging outer length / height (cm)	105.0
---	-------

SAFETY DATA

Special purpose lamp	No
-----------------------------	----

Dry applications use only	No
----------------------------------	----

Suitable for household illumination	No
--	----