

ELECTRIC ACTUATOR

PROMIX[®] AVC05, AVC10, AVC15



INTRODUCTION



Actuators AVC are intended to control rotating mixing valves and ball valves. Modern design and use of advanced materials enable their silent and reliable operation.

FEATURES

- output torque 5 Nm, 10 Nm or 15 Nm
- running angle 90°
- actuator running speed 2 min / 90 <° (option 15 sec, 30 sec, 1 min, 4 min and 8 min / 90 <°)
- optional additional switch
- 2-point, 3-point or proportional operating mode
- suitable for installation onto rotating mixing valves and ball valves
- indication of actual valve position
- LED indication of turning direction
- manual valve turning mode enabled by a permanent clutch
- no damage in case of valve blocking
- silent and reliable operation
- maintenance free
- simple and easy installation

TECHNICAL DATA

	AVC05...	AVC10...	AVC15...
Torque:	5 Nm	10 Nm	15 Nm
Running angle:	90 <°		
Running speed:	2 min / 90 <° (15 sec 90 <° *, 30 sec / 90 <° *, 1 min / 90 <°, 4 min / 90 <°, 8 min / 90 <°)		
Operation mode:	2-point (230 V~, 50 Hz / 24 V~, 50 Hz) 3-point (230 V~, 50 Hz / 24 V~, 50 Hz) proportional 0 (2) ÷ 10V (24 V ac/dc) / 0 (4) ÷ 20mA (24 V ac/dc)		
Auxiliary switch:	adjustable 0 ÷ 90 <° (250 V~, 3 A)		
Temperature range:	0 ÷ 50 °C		
Rated power:	2,5 ÷ 4 VA		
Safety class:	IP42 according to EN 60529		
Degree of Protection:	II according to EN 60730-1		
Dimensions (w × l × h):	84 × 102 × 91 mm		
Weight:	390 g ÷ 630 g	600 g ÷ 860 g	
Color / material:	dark grey / PC		

ELECTRIC ACTUATOR

PROMIX[®] AVC05, AVC10, AVC15



STANDARD

models with 5 Nm torque

TORQUE	OPERATION MODE	RUNNING SPEED	POWER SUPPLY	ORDERING CODE
5 Nm	3-point	15 s	230 V ~	AVC05315210*
5 Nm	3-point	30 s	230 V ~	AVC05330210*
5 Nm	3-point	1 min	230 V ~	AVC0531M210
5 Nm	3-point	2 min	230 V ~	AVC0532M210
5 Nm	3-point	4 min	230 V ~	AVC0534M210
5 Nm	3-point	8 min	230 V ~	AVC0538M210
5 Nm	3-point + auxiliary switch	15 s	230 V ~	AVC05C15210*
5 Nm	3-point + auxiliary switch	30 s	230 V ~	AVC05C30210*
5 Nm	3-point + auxiliary switch	1 min	230 V ~	AVC05C1M210
5 Nm	3-point + auxiliary switch	2 min	230 V ~	AVC05C2M210
5 Nm	3-point + auxiliary switch	4 min	230 V ~	AVC05C4M210
5 Nm	3-point + auxiliary switch	8 min	230 V ~	AVC05C8M210
5 Nm	2-point	30 s	230 V ~	AVC05230210*
5 Nm	2-point	1 min	230 V ~	AVC0521M210
5 Nm	2-point	2 min	230 V ~	AVC0522M210
5 Nm	2-point	8 min	230 V ~	AVC0528M210
5 Nm	2-point + auxiliary switch	30 s	230 V ~	AVC05B30210*
5 Nm	2-point + auxiliary switch	1 min	230 V ~	AVC05B1M210
5 Nm	2-point + auxiliary switch	2 min	230 V ~	AVC05B2M210
5 Nm	2-point + auxiliary switch	8 min	230 V ~	AVC05B8M210
5 Nm	3-point	15 s	24 V ~	AVC05315410*
5 Nm	3-point	30 s	24 V ~	AVC05330410*
5 Nm	3-point	1 min	24 V ~	AVC0531M410
5 Nm	3-point	2 min	24 V ~	AVC0532M410
5 Nm	3-point	4 min	24 V ~	AVC0534M410
5 Nm	3-point	8 min	24 V ~	AVC0538M410
5 Nm	3-point + auxiliary switch	15 s	24 V ~	AVC05C15410*
5 Nm	3-point + auxiliary switch	30 s	24 V ~	AVC05C30410*
5 Nm	3-point + auxiliary switch	1 min	24 V ~	AVC05C1M410
5 Nm	3-point + auxiliary switch	2 min	24 V ~	AVC05C2M410
5 Nm	3-point + auxiliary switch	4 min	24 V ~	AVC05C4M410
5 Nm	3-point + auxiliary switch	8 min	24 V ~	AVC05C8M410
5 Nm	2-point	30 s	24 V ~	AVC05230410*
5 Nm	2-point	1 min	24 V ~	AVC0521M410
5 Nm	2-point	2 min	24 V ~	AVC0522M410
5 Nm	2-point	8 min	24 V ~	AVC0528M410
5 Nm	2-point + auxiliary switch	30 s	24 V ~	AVC05B30410*
5 Nm	2-point + auxiliary switch	1 min	24 V ~	AVC05B1M410
5 Nm	2-point + auxiliary switch	2 min	24 V ~	AVC05B2M410
5 Nm	2-point + auxiliary switch	8 min	24 V ~	AVC05B8M410
5 Nm	0-10 V / 2-10 V or 0-20 mA / 4-20 mA	60 / 90 / 120 s	24 V ac / 24 V dc	AVC05Y1M510

* Check delivery time.

By default are with actuator AVC05.. already included installation sets ASCAVMSA for mixing valves Esbe, Seltron, Somatherm, Hora, WIP, PAW, Acaso, BRV, IMIT, IVAR, HOVAL, OLYMP and ASCAVMSG for mixing valves Esbe VRG.

For all available installation sets see table on page 6.

All actuators are normally supplied with 2 m power cord.

The AVC05.. actuators are by default equipped with a knob for manual turning.

All non-standard actuator models shall be ordered according to the Ordering table on page 5.

ELECTRIC ACTUATOR

PROMIX® AVC05, AVC10, AVC15



STANDARD

models with 10 Nm torque

TORQUE	OPERATION MODE	RUNNING SPEED	POWER SUPPLY	ORDERING CODE
10 Nm	3-point	1 min	230 V ~	AVC1031M220
10 Nm	3-point	2 min	230 V ~	AVC1032M220
10 Nm	3-point	4 min	230 V ~	AVC1034M220
10 Nm	3-point	8 min	230 V ~	AVC1038M220
10 Nm	3-point + auxiliary switch	1 min	230 V ~	AVC10C1M210
10 Nm	3-point + auxiliary switch	2 min	230 V ~	AVC10C2M220
10 Nm	3-point + auxiliary switch	4 min	230 V ~	AVC10C4M220
10 Nm	3-point + auxiliary switch	8 min	230 V ~	AVC10C8M220
10 Nm	2-point	1 min	230 V ~	AVC1021M220
10 Nm	2-point	2 min	230 V ~	AVC1022M220
10 Nm	2-point	8 min	230 V ~	AVC1028M220
10 Nm	2-point + auxiliary switch	1 min	230 V ~	AVC10B1M220
10 Nm	2-point + auxiliary switch	2 min	230 V ~	AVC10B2M220
10 Nm	2-point + auxiliary switch	8 min	230 V ~	AVC10B8M220
10 Nm	3-point	1 min	24 V ~	AVC1031M420
10 Nm	3-point	2 min	24 V ~	AVC1032M420
10 Nm	3-point	4 min	24 V ~	AVC1034M420
10 Nm	3-point	8 min	24 V ~	AVC1038M420
10 Nm	3-point + auxiliary switch	1 min	24 V ~	AVC10C1M420
10 Nm	3-point + auxiliary switch	2 min	24 V ~	AVC10C2M420
10 Nm	3-point + auxiliary switch	4 min	24 V ~	AVC10C4M420
10 Nm	3-point + auxiliary switch	8 min	24 V ~	AVC10C8M420
10 Nm	2-point	1 min	24 V ~	AVC1021M420
10 Nm	2-point	2 min	24 V ~	AVC1022M420
10 Nm	2-point	8 min	24 V ~	AVC1028M420
10 Nm	2-point + auxiliary switch	1 min	24 V ~	AVC10B1M420
10 Nm	2-point + auxiliary switch	2 min	24 V ~	AVC10B2M420
10 Nm	2-point + auxiliary switch	8 min	24 V ~	AVC10B8M420
10 Nm	0-10 V / 2-10 V or 0-20 mA / 4-20 mA	60 / 90 / 120 s	24 V ac / 24 V dc	AVC10Y1M510

By default are with actuator AVC10.. already included installation sets ASCAVMSB for mixing valves Esbe, Seltron, Somatherm, Hora, WIP, PAW, Acaso, BRV, IMIT, IVAR, HOVAL, OLYMP and ASCAVMSG for mixing valves Esbe VRG.
For all available installation sets see table on page 6.

All actuators are normally supplied with 2 m power cord.
The AVC10.. actuators are by default equipped with a handle for manual turning.
All non-standard actuator models shall be ordered according to the Ordering table on page 5.

ELECTRIC ACTUATOR

PROMIX[®] AVC05, AVC10, AVC15



STANDARD

models with 15 Nm torque

TORQUE	OPERATION MODE	RUNNING SPEED	POWER SUPPLY	ORDERING CODE
15 Nm	3-point	1 min	230 V ~	AVC15031M220
15 Nm	3-point	2 min	230 V ~	AVC1532M220
15 Nm	3-point	4 min	230 V ~	AVC1534M220
15 Nm	3-point	8 min	230 V ~	AVC1538M220
15 Nm	3-point + auxiliary switch	1 min	230 V ~	AVC15C1M220
15 Nm	3-point + auxiliary switch	2 min	230 V ~	AVC15C2M220
15 Nm	3-point + auxiliary switch	4 min	230 V ~	AVC15C4M220
15 Nm	3-point + auxiliary switch	8 min	230 V ~	AVC15C8M220
15 Nm	2-point	1 min	230 V ~	AVC1521M220
15 Nm	2-point	2 min	230 V ~	AVC1522M220
15 Nm	2-point	8 min	230 V ~	AVC1528M220
15 Nm	2-point + auxiliary switch	1 min	230 V ~	AVC15B1M220
15 Nm	2-point + auxiliary switch	2 min	230 V ~	AVC15B2M220
15 Nm	2-point + auxiliary switch	8 min	230 V ~	AVC15B8M220
15 Nm	3-point	1 min	24 V ~	AVC1531M420
15 Nm	3-point	2 min	24 V ~	AVC1532M420
15 Nm	3-point	4 min	24 V ~	AVC1534M420
15 Nm	3-point	8 min	24 V ~	AVC1538M420
15 Nm	3-point + auxiliary switch	1 min	24 V ~	AVC15C1M420
15 Nm	3-point + auxiliary switch	2 min	24 V ~	AVC15C2M420
15 Nm	3-point + auxiliary switch	4 min	24 V ~	AVC15C4M420
15 Nm	3-point + auxiliary switch	8 min	24 V ~	AVC15C8M420
15 Nm	2-point	1 min	24 V ~	AVC1521M420
15 Nm	2-point	2 min	24 V ~	AVC1522M420
15 Nm	2-point	8 min	24 V ~	AVC1528M420
15 Nm	2-point + auxiliary switch	1 min	24 V ~	AVC15B1M420
15 Nm	2-point + auxiliary switch	2 min	24 V ~	AVC15B2M420
15 Nm	2-point + auxiliary switch	8 min	24 V ~	AVC15B8M420

By default are with actuator AVC15.. already included installation sets ASCAVMSB for mixing valves Esbe, Seltron, Somatherm, Hora, WIP, PAW, Acaso, BRV, IMIT, IVAR, HOVAL, OLYMP and ASCAVMSG for mixing valves Esbe VRG.
For all available installation sets see table on page 6.

All actuators are normally supplied with 2 m power cord.
The AVC15.. actuators are by default equipped with a handle for manual turning.
All non-standard actuator models shall be ordered according to the Ordering table on page 5.

ELECTRIC ACTUATOR PROMIX® AVC05, AVC10, AVC15



INSTALLATION SET

for valves

Rotating mixing valves

MANUFACTURER	ORDERING CODE
Esbe, Seltron, Somatherm, Hora, PAW, WIP, Acaso, BRV, IMIT, Ivar, Hoval, Olymp (5 Nm)	1ASCAVMSA000+NN0
Esbe, Seltron, Somatherm, Hora, PAW, WIP, Acaso, BRV, IMIT, Ivar, Hoval, Olymp (10 Nm, 15 Nm)	1ASCAVMSB000+NN0
Centra ZR/DR	1ASCAVMSC000+NN0
Centra DRU	1ASCAVMSD000+NN0
Siemens VBI, VBF	1ASCAVMSE000+NN0
Wita, Meibes	1ASCAVMSF000+NN0
Esbe VRG	1ASCAVMMSG000+NN0
First	1ASCAVMSH000+NN0
Honeywell V5442../H5433..	1ASCAVMSI000+NN0
PAW K32, K33, K34	1ASCAVMSJ000+NN0
Danfoss HRB3	1ASCAVMSK000+NN0

Ball valves - fixation to the shaft of the valve

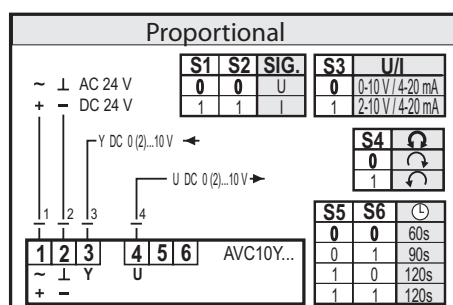
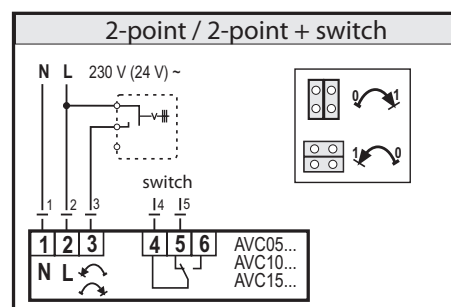
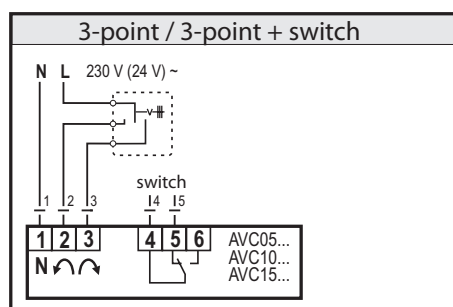
VALVE TYPE	ORDERING CODE
ISO5211 flange F03, shaft type L/D (9 mm) - M5 thread	1ASCAVMSM000+NN0
ISO5211 flange F03, shaft type L/D (11 mm) - M5 thread	1ASCAVMSN000+NN0
ISO5211 flange F04, shaft type L/D (10 mm) - M5 thread	1ASCAVMSO000+NN0

Ball valves - fixation to the flange of the valve

VALVE TYPE	ORDERING CODE
ISO5211 flange F03, shaft type H (9 mm)	1ASCAVMSP000+NN0
ISO5211 flange F03, shaft type L, D (9 mm)	1ASCAVMSQ000+NN0
ISO5211 flange F03, shaft type L, D (11 mm)	1ASCAVMSR000+NN0
ISO5211 flange F05, shaft type H (9 mm)	1ASCAVMSS000+NN0
ISO5211 flange F05, shaft type L, D (11 mm)	1ASCAVMST000+NN0

Sets for other valve types are available upon request.

WIRING DIAGRAM

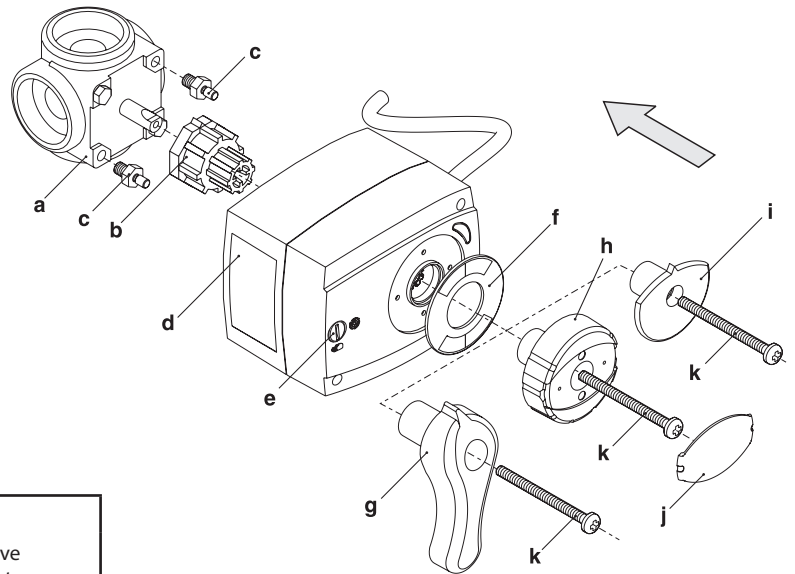


ELECTRIC ACTUATOR PROMIX® AVC05, AVC10, AVC15



INSTALLATION

**onto
rotational
valves**

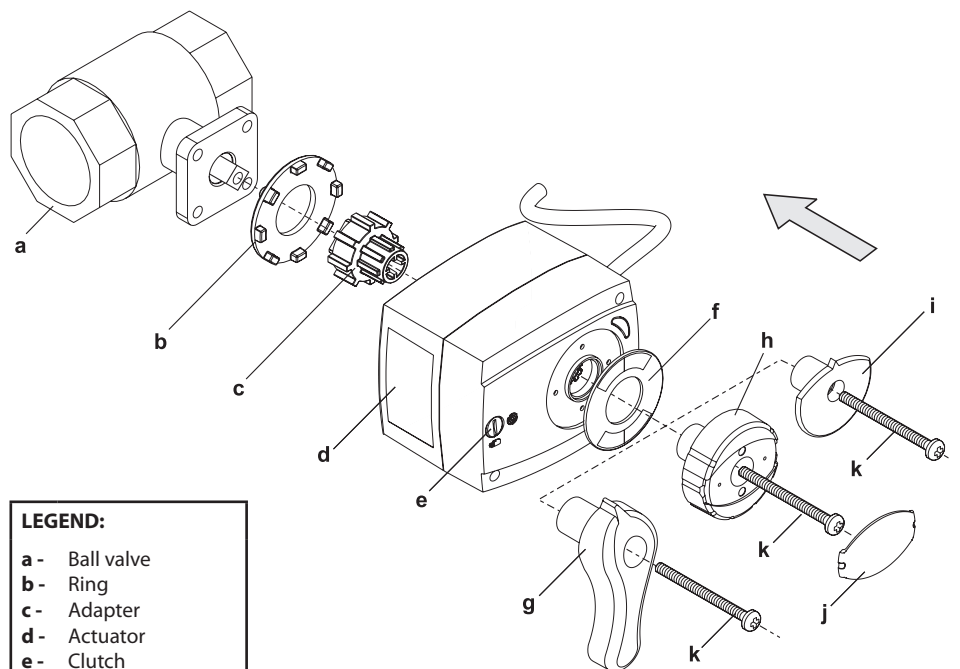


LEGEND:

- a** - Mixing valve
- b** - Valve adaptor
- c** - Anti-rotation screw
- d** - Actuator
- e** - Clutch
- f** - Plate
- g** - Handle
- h** - Button
- i** - Indicator
- j** - Button cover
- k** - Fixing screw

INSTALLATION

**to the ball valve
with fixation to the
shaft of the valve**



LEGEND:

- a** - Ball valve
- b** - Ring
- c** - Adapter
- d** - Actuator
- e** - Clutch
- f** - Plate
- g** - Handle
- h** - Button
- i** - Indicator
- j** - Button cover
- k** - Fixing screw

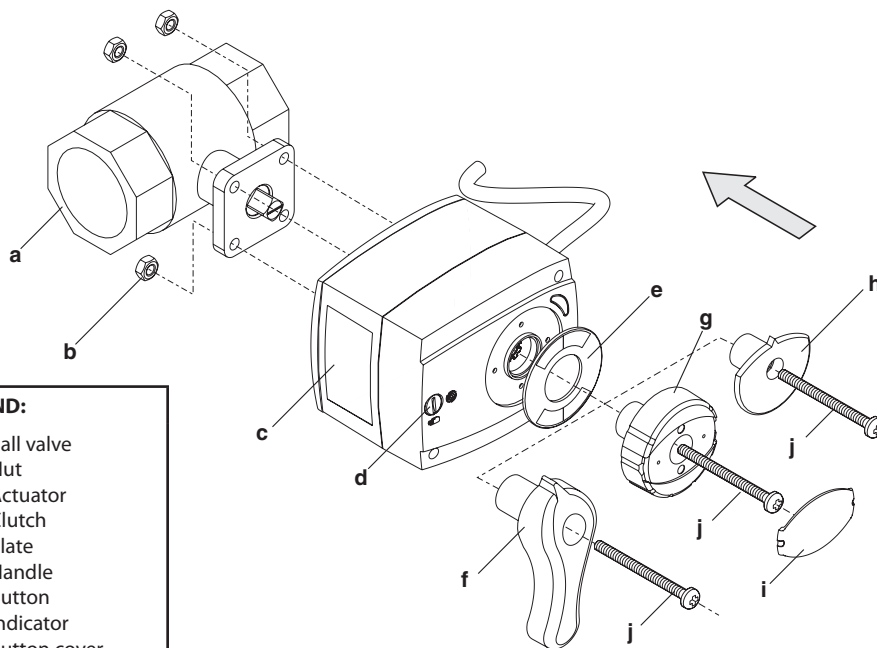
ELECTRIC ACTUATOR

PROMIX[®] AVC05, AVC10, AVC15



INSTALLATION

to the ball valve with
fixation to the flange
of the valve

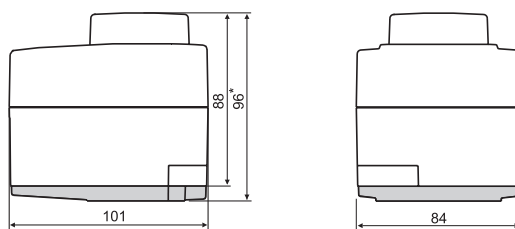


LEGEND:

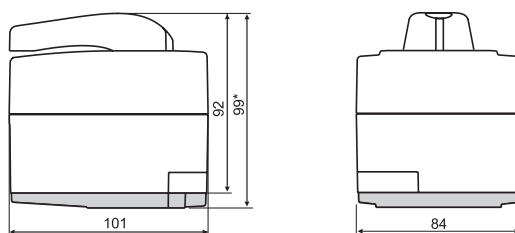
- a - Ball valve
- b - Nut
- c - Actuator
- d - Clutch
- e - Plate
- f - Handle
- g - Button
- h - Indicator
- i - Button cover
- j - Fixing screw

DIMENSIONS

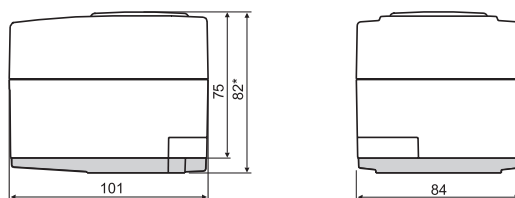
with button



with handle



with indicator



* Measured together with the plate for fixation to the flange of the valve.

©2014 All rights reserved. We retain the right for modifications without previous notification. We don't take any responsibility for mistakes.

SELTRON d.o.o.
Tržaška cesta 85/A
SI-2000 Maribor
SI - Slovenia

Tel.: +386 (0)2 671 96 00
Fax.: +386 (0)2 671 96 66
[http:// www.seltron.eu](http://www.seltron.eu)
E-mail: sales@seltron.eu

