

PROLUMIA®

PRO-CONE PUBLIC LIGHTING FIXTURES

FUTURE-PROOF, CIRCULAR
CONICAL LUMINAIRE
FOR OPTIMAL LIGHTING
OF PUBLIC SPACES

UP TO 160 LM/W
NOW WITH ENEC+
CERTIFICATION



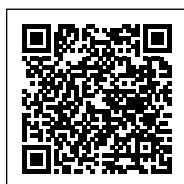


PRO-CONE PUBLIC LIGHTING FIXTURES

FUTURE-PROOF, CIRCULAR CONICAL LUMINAIRE FOR OPTIMAL LIGHTING OF PUBLIC SPACES

The Pro-Cone is an ENEC+-certified, vandal-proof and circular cone fixture, which guarantees optimal illumination of the public space. This without unnecessary light hindrance and light pollution, because it's possible to choose of 5 different lens types. Because of this, it is possible to create light as desired. Due to the many options, the long life span, the high efficiency and the choice of the different lenses, the Pro-Cone is very widely applicable. Ideal for use in residential areas, parking lots, cycle paths, squares and downtown areas.

MORE INFO ABOUT
PRO-CONE ONLINE:



FEATURES & PROPERTIES

- Circular cone fixture
- IP66 / IK10
- Lumileds LED's
- Median useful life L90 >100,000 hours
- Signify Xitanium Lite programmable driver
- Up to 3,000 lm and efficiency up to 160 lm/W, choice of 3000 K and 4000 K
- 5 light distributions available with LEDiL lenses
- Optional: Dyna dimming, DALI dimmable and Zhaga Book 18 connector
- Supplied with 5 m of H05RN-F 3 x 1 mm² attached cable

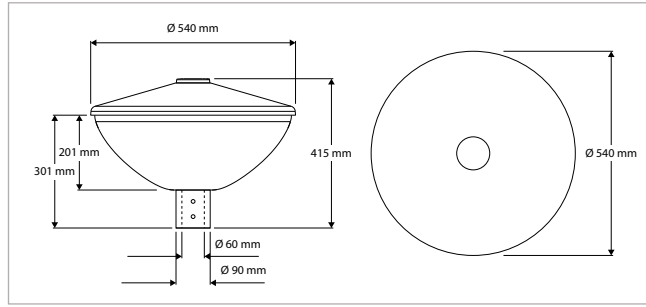
GENERAL SPECIFICATIONS

Fixture type	Cone-shaped post-top luminaire (Ø 60 mm)
Application	Post-top mounting
Installation environment	Outdoor, public space
Lighting function	General, public lighting
Luminaire versions	Transparent and translucent version, 5 lens optics and variable lumen package
Electrical safety class	Class I
AC-voltage & frequency	220-240 V AC 50-60 Hz
Type of driver	Constant current, 1-10 V dimmable/programmable (CLO, Dyna dimming)
Type of light source	LED (type SMD 5050)
Power consumption (range)	7 W - 20 W
Luminous flux	1,000 lm - 3,000 lm
Light color	3000 K / 4000 K (2700 K optional)
Color Rendering Index	Ra >70
Optical system	Lens optics, clear or frosted diffuser
Beam angle	5 options, application-specific
Ingress Protection (IP)	IP66
Impact resistance (IK)	IK10
Median useful life	L90 >100,000 hours
Ambient temperature (Ta-range)	-25°C to +50°C
Material	Aluminium top cover, mast piece and end cap, and polycarbonate light cover
Color/finish	Anodised, matte black
Weight	6.6 kg
Certification	CE, ENEC, ENEC+
Warranty period	5 years

APPLICATIONS

Residential streets, residential areas, parking lots, bus stops, city/town squares, downtowns, shopping centers, bicycle and pedestrian paths, parks and other locations in built-up areas

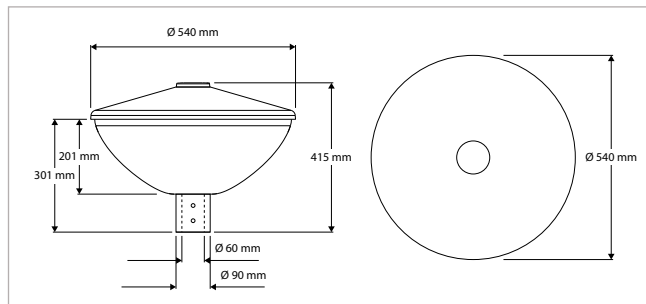




PRO-CONE – 3000 K – IP66 – IK10 – Ø 540 x 415 mm – BLACK – SIGNIFY XITANIUM LITE PROGRAMMABLE DRIVER

VERSION	CCT	CRI	POWER TRANSLUCENT	POWER TRANSPARENT	ART. NO.	STOCK
1,000 lm, translucent / transparent, lens type 1-5	3000 K	Ra >70	7.5 W	7.3 W	413801x0	-
1,250 lm, translucent / transparent, lens type 1-5	3000 K	Ra >70	9.1 W	8.7 W	413801x1	-
1,500 lm, translucent / transparent, lens type 1-5	3000 K	Ra >70	10.4 W	10.2 W	413801x2	-
1,600 lm, translucent, lens type 2, asymmetrical, wide beam	3000 K	Ra >70	11.4 W	10.9 W	41380113	☺
1,600 lm, translucent / transparent, lens type 1-5	3000 K	Ra >70	11.4 W	10.9 W	413801x3	-
1,750 lm, translucent / transparent, lens type 1-5	3000 K	Ra >70	12.4 W	11.9 W	413801x4	-
2,000 lm, translucent / transparent, lens type 1-5	3000 K	Ra >70	13.9 W	13.7 W	413801x5	-
2,250 lm, translucent / transparent, lens type 1-5	3000 K	Ra >70	15.4 W	15.1 W	413801x6	-
2,500 lm, translucent / transparent, lens type 1-5	3000 K	Ra >70	17 W	16.5 W	413801x7	-
2,750 lm, translucent / transparent, lens type 1-5	3000 K	Ra >70	18.5 W	18.1 W	413801x8	-
3,000 lm, translucent / transparent, lens type 1-5	3000 K	Ra >70	19.9 W	19.5 W	413801x9	-

x = 0-4 - Translucent diffuser & Lens type 1, 2, 3, 4 or 5
 x = 5-9 - Transparent diffuser & Lens type 1, 2, 3, 4 or 5



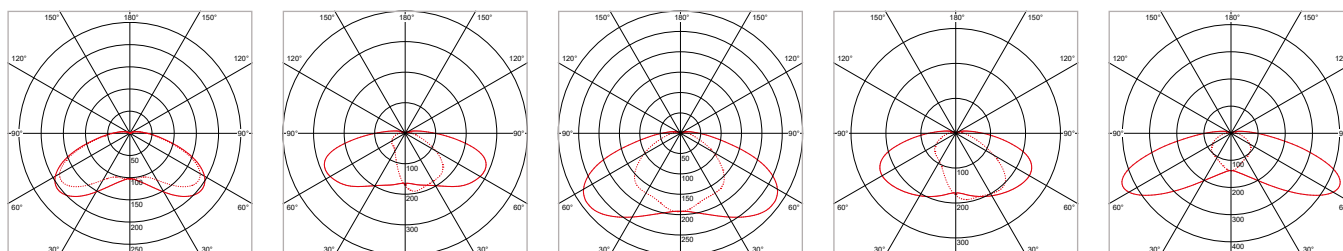
PRO-CONE – 4000 K – IP66 – IK10 – Ø 540 x 415 mm – BLACK – SIGNIFY XITANIUM LITE PROGRAMMABLE DRIVER

VERSION	CCT	CRI	POWER TRANSLUCENT	POWER TRANSPARENT	ART. NO.	STOCK
1,000 lm, translucent / transparent, lens type 1-5	4000 K	Ra >70	7.3 W	7 W	413802x0	-
1,250 lm, translucent / transparent, lens type 1-5	4000 K	Ra >70	8.8 W	8.5 W	413802x1	-
1,500 lm, translucent / transparent, lens type 1-5	4000 K	Ra >70	10.2 W	9.9 W	413802x2	-
1,600 lm, translucent / transparent, lens type 1-5	4000 K	Ra >70	10.9 W	10.5 W	413802x3	-
1,750 lm, translucent / transparent, lens type 1-5	4000 K	Ra >70	11.9 W	11.5 W	413802x4	-
2,000 lm, translucent / transparent, lens type 1-5	4000 K	Ra >70	13.6 W	13 W	413802x5	-
2,250 lm, translucent / transparent, lens type 1-5	4000 K	Ra >70	15.1 W	14.4 W	413802x6	-
2,500 lm, translucent / transparent, lens type 1-5	4000 K	Ra >70	16.4 W	15.9 W	413802x7	-
2,750 lm, translucent / transparent, lens type 1-5	4000 K	Ra >70	18.1 W	17.1 W	413802x8	-
3,000 lm, translucent / transparent, lens type 1-5	4000 K	Ra >70	19.5 W	18.6 W	413802x9	-

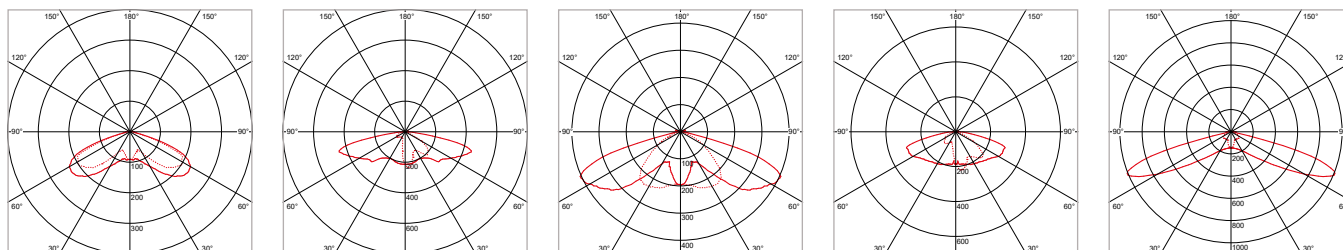
x = 0-4 - Translucent diffuser & Lens type 1, 2, 3, 4 or 5
 x = 5-9 - Transparent diffuser & Lens type 1, 2, 3, 4 or 5

LIGHT DISTRIBUTIONS

TRANSLUCENT



TRANSPARENT



Lens type 1:
Symmetrical, round (360°)

Lens type 2:
Asymmetrical, wide beam

Lens type 3:
Symmetrical, wide beam

Lens type 4:
Asymmetrical, wide beam

Lens type 5:
Symmetrical, wide beam

LENS TYPE	$\chi =$ (TRANSLUCENT)	$\chi =$ (TRANSPARENT)	LIGHT DISTRIBUTION	APPLICATION
1	0	5	Symmetrical, round (360°)	Residential yards, parks, parking lots
2	1	6	Asymmetrical, wide beam	Residential streets
3	2	7	Symmetrical, wide beam	Residential streets and squares
4	3	8	Asymmetrical, wide beam	Cycling paths
5	4	9	Symmetrical, wide beam	Cycling and pedestrian paths



COMFORT, FUNCTIONALITY, DURABILITY, EASY ASSEMBLY AND MAINTENANCE COMBINED IN ONE DESIGN

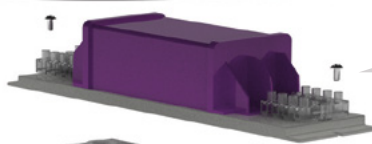
SUSTAINABLE

Black anodised aluminium top cover and closure



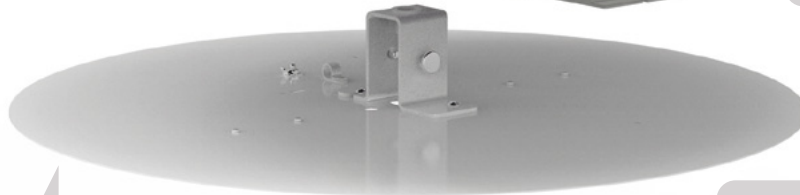
TIME-SAVING

Driver unit easily interchangeable with plug



CONVENIENCE

Light source easy to exchange



WATERPROOF

IP66 sealing with rubber ring



SAFE

Lower cover made of impact-resistant (IK10) and flame-resistant, translucent or transparent polycarbonate



EASY ASSEMBLY

Masthead (Ø 60 mm) made of black anodised aluminium
Standard including 5 m power cord

PROLUMIA®

PROLUMIA NL

Riga 10
2993 LW BARENDRECHT
T +31 (0)180 64 54 00
E info@prolumia.nl

PROLUMIA BE

Saffierstraat 5 - Unit 10A
2200 HERENTALS
T +32 (0)14 25 07 70
E info@prolumia.be

PROLUMIA CZ

Ke Slivenci 48
154 00 PRAHA 5 - LOCHKOV
T +420 222 563 003
E info@prolumia.cz

PROLUMIA DE

Feldbergstraße 57
61440 OBERURSEL
T +49 6171 8989 594
E info@prolumia.de

**MORE INFO ABOUT
PRO-CONE ONLINE:**



Version: 1.0 - 2026-03

Nedelko B.V. pays the utmost attention to its catalog and reliability and actuality of the information contained therein. Despite all care, inaccuracies and omissions can not always be prevented. Nedelko B.V. is not liable for errors or inaccuracies. For the most current information please contact our sales department.