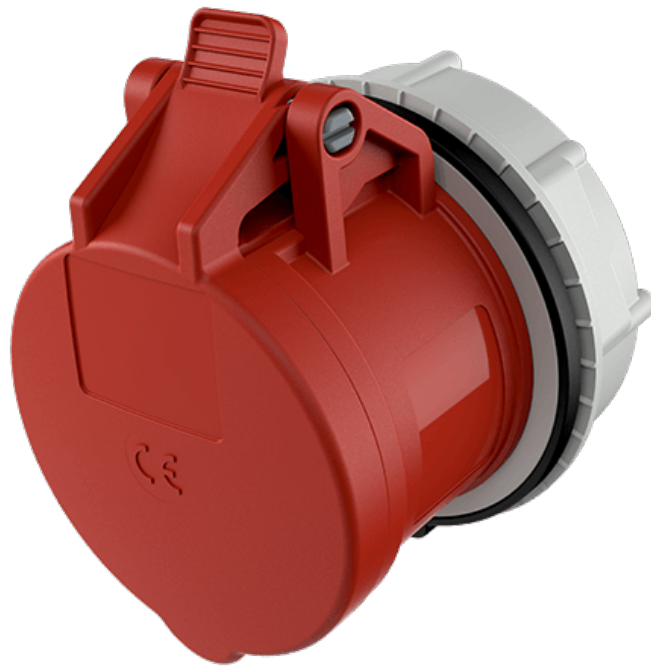


Panel mounted receptacle RAPIDO

Part number: 998



MENNEKES
Elektrotechnik GmbH & Co. KG

Aloys-Mennekes-Straße 1
57399 Kirchhundem
GERMANY

www.MENNEKES.org

Product Description

- screwless, with insulation displacement technology TwinCONTACT
- central fixing
- straight insertion direction
- suitable for through wiring

Technical Details

Panel mounted receptacle RAPIDO	998
Product serie	RAPIDO
Ampere	16A
Number of poles	4p
Clock position	6h
Nominal voltage AC	400V
Nominal frequency	50 - 60 Hz
Protection type IP	IP44
Contact carrier	standard
X-CONTACT	no
Connection	insulation displacement technology - TwinCONTACT
Pilot contact	without pilot contact
Pilot contact switch	no
Mounting diameter	70 mm
Insertion direction	straight
Type of mounting	central fixing
Highly resistant to chemicals	no
Military version	no
Strip length flexible conductor	12 mm
Strip length solid conductor	12 mm
Conductor cross-section min.	1.5 mm ²
Conductor cross-section max.	4 mm ²
Weight (net)	42 g
Packaging unit	10 pcs
Quantity per pallet	880 pcs

Panel mounted receptacle RAPIDO	998
EAN / identification number	4015394210115

Permissible ambient conditions		
	Min.	Max.
Permissible ambient temperature	-25 °C	40 °C
Average temperature over 24 hours		35 °C

Material properties	
Front part	PA6 red [similar RAL 3013]
Hinged lid	PC red [similar RAL 3013]

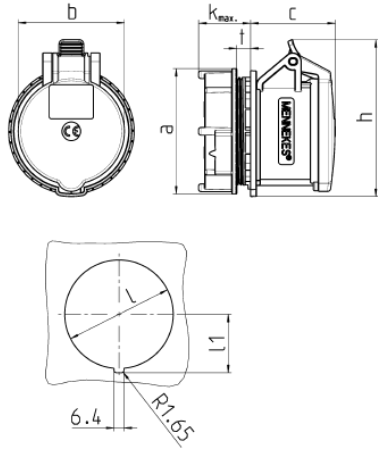
Material resistance

The material resistance overview can be found on the website in the section “Knowledge” - “Product knowledge” - “Materials”.

Material and environmental properties	
RoHS 2011/65/EU incl. 2015/863/EU	✓
POP regulation (EU) 2019/1021	✓
Halogen-free	yes

Regulations and Standards	
Norm	DIN EN IEC 60309-2
Declaration of Conformity	CE
Test label	EAC

Dimensional Drawing



Drawing 1 MB 468	Amp. Poles	16		32		
		4	5	3	4	5
Dim. in mm	a	81	81	81	81	81
	b	66	69	71	71	80
	c	58	55	66	66	64
	k	max. 33	max. 33	max. 33	max. 33	max. 33
	h	100	102	101	101	108
	l	70	70	70	70	70
	l1	37.75	37.75	37.75	37.75	37.75
	t	2-9	2-9	2-9	2-9	2-9
	Terminal for cond. cross section (mm ²) min.-max.	1.5	1.5	2.5	2.5	2.5
		-4	-4	-6	-6	-6