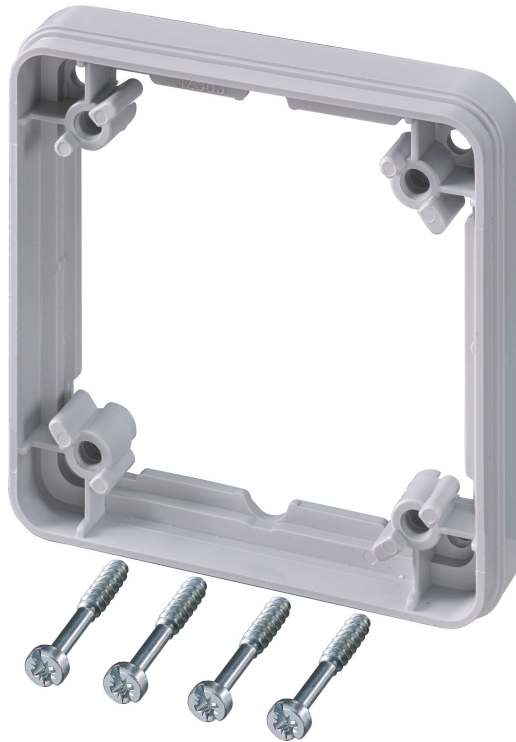


Spacer frame Cepex

Part number: 4191



MENNEKES

Elektrotechnik GmbH & Co. KG
Aloys-Mennekes-Straße 1
57399 KIRCHHUNDEM GERMANY
www.MENNEKES.org

Product Description

- to compensate for unequal heights
- matching all Cepex all mounted receptacles 16A

Technical Details

Spacer frame - Cepex		4191
Product serie	Cepex	
Weight (ne)	35 g	
Packaging unit	25 pcs	
Quantity per pallet	2.475 pcs	
EAN / identification number	4015394022473	

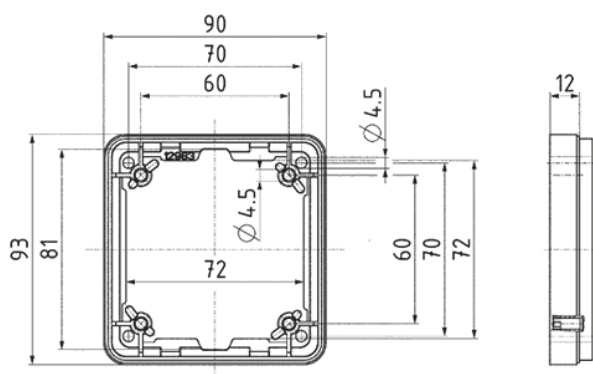
Material properties	
Spacer frame	PC/PET light grey [similar RAL 7035]

Material resistance	
The material resistance overview can be found on the website in the section "Knowledge" - "Product knowledge" - "Materials"	

Material and environmental properties	
RoHS 2011/65/EU incl. 2015/863/EU	✓
POP regulation (EU) 2019/1021	✓

Regulations and Standards	
Declaration of Conformity	CE

Dimensional Drawing



Drawing
1 MB 302

Dim. in mm