

Masking frame Cepex

Part number: 41423



MENNEKES

Elektrotechnik GmbH & Co. KG
Aloys-Mennekes-Straße 1
57399 KIRCHHUNDEM GERMANY
www.MENNEKES.org

Product Description

- single
- matching all Cepex panel mounted receptacles
16A and 32A
- for the installation of single appliances and for vertical combination of any number of receptacles

Technical Details

Masking frame - Cepex	41423
Product serie	Cepex
Weight (ne)	20 g
Packaging unit	25 pcs
Quantity per pallet	5.200 pcs
EAN / identification number	4015394048367

Material properties

Masking frame	PC pure white [similar 9010]
---------------	------------------------------

Material resistance

The material resistance overview can be found on the website in the section "Knowledge" - "Product knowledge" - "Materials"

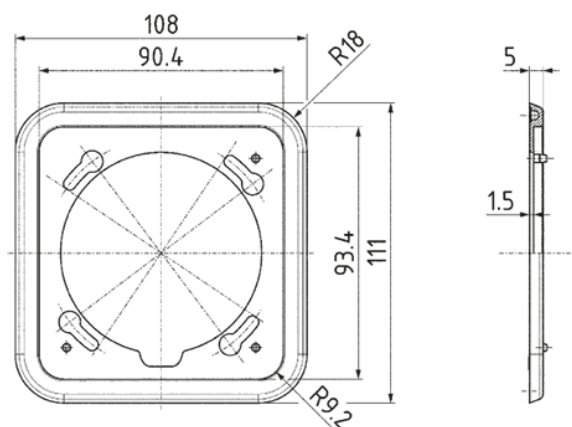
Material and environmental properties

RoHS 2011/65/EU incl. 2015/863/EU	✓
POP regulation (EU) 2019/1021	✓

Regulations and Standards

Declaration of Conformity	CE
---------------------------	----

Dimensional Drawing



Drawing
1 MB 363

Dim. in mm