

# Pressure reducing valve 4021

made of hot-pressed brass with outlet pressure indicator

3

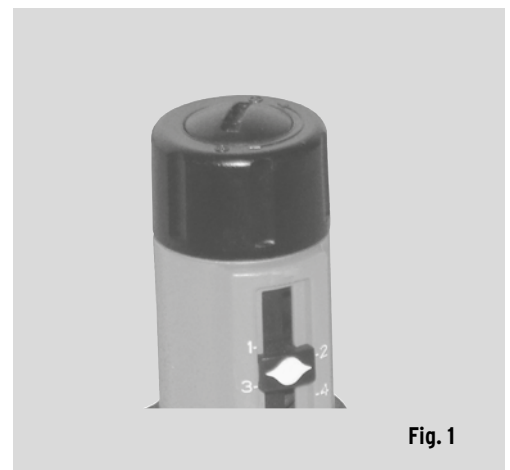


Fig. 1

## Field of application

The pressure reducing valve type 315.2 is predominantly used in potable water installations in accordance with EN 806-2. Under consideration of its specifications, it also protects industrial and commercial installations against excess supply pressure. The pressure reducing valve type 315.2 protects water-supplying installations by compen-

sating and optimising upstream pressure variations and therefore it effectively prevents damage that can be caused by pressure increase. Furthermore, it economically and ecologically reduces the water consumption. The type 315.2 meets the highest European acoustic protection requirements.

## Design

The pressure reducing valve type 315.2 is equipped with an outlet pressure indicator (see figure 1) that displays the set pressure. An additional pressure gauge is not necessary. The spring cap is rotatable by 360°, so that the pressure indicator is always visible. The pressure reducing valve type 315.2 complies with the European Standard EN 1567 and fulfils the DVGW requirements from DN 15 to DN 50 as well as the highest acoustic protection requirements up

to DN 32. The pressure reducing valve type 315.2 is equipped with a spring-relieved single-seat valve and a coaxially positioned strainer (mesh width: 0.25 mm). The operational parts of the system are placed in a cartridge that can be exchanged without disassembling the whole valve and without using special tools; the outlet pressure setting remains unchanged. The special cartridge design allows for any mounting position.

## Materials

The materials used for the SYR pressure reducing valve type 315.2 comply with the high requirements of European Standards. All synthetic parts getting into contact with water are approved by the German Public Health Office (KTW). The corrosion resistance in particular is guaranteed for all used materials. The

body is made of high quality hot-pressed brass. All rubber parts are made of ageing resistant elastomer. The diaphragm is reinforced and the high resistance of the screw cap is due to the glass fibre reinforced synthetic material.

## Installation

The connection size depends on the required flow rate capacity. When choosing a pressure reducing valve, consider that a pressure drop of 1.1 bar occurs at maximum flow rate. This is the difference between the static and dynamic pressure at the outlet of the pressure reducing valve. When a specific flow rate is required for a particular draw-off

point, calculate the setting of the pressure reducer beforehand. A pressure reducing valve works without auxiliary energy with very little adjustment forces. Therefore, it reacts sensitively to impurities. A filter installed upstream effectively protects the pressure reducing valve type 315.2.

Thoroughly flush the pipe prior to installation. Mount the SYR pressure reducing valve type 315.2 in the pipe under consideration of the direction of flow (see arrow on the body) without applying

stresses. Afterwards, turn the head part without loosening the captive nut until the green outlet pressure indicator becomes visible.

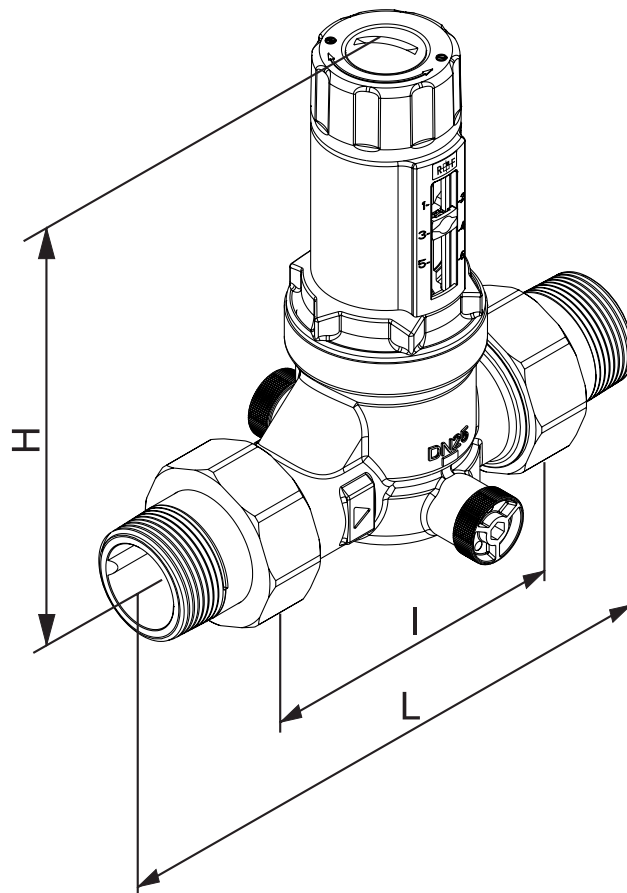
## Technical specifications

Inlet pressure:	max. 25 bar
Outlet pressure:	1.5 - 6 bar (factory set to 4 bar)
Service temperature:	max. 70°C
Mounting position:	any
Medium:	water, compressed air, neutral non-adhesive fluids, neutral gases

## Maintenance

The pressure has to be set at static pressure. Proceed as follows: loosen the safety screw in the adjustment knob. The requested pressure is set with a flick of the wrist. With the well-contrived outlet pressure indicator, the pressure reducer not only ensures the optimal pressure but also allows for reading the set pressure without an additional pressure gauge. To reduce the outlet pressure, turn the adjustment knob in the direction of the minus

symbol (-), to increase it, turn the adjustment knob in the direction of the plus symbol (+). It is recommended to carry out maintenance works on a regular basis to ensure durable functionality. The perfected design of the cartridge system allows to disassemble the pressure reducer's operational part without removing the whole valve and without using special tools.



Nominal size		DN 15	DN 20	DN 25	DN 32	DN 40	DN 50
	A	G ½	G ¾	G 1	G 1¼	G 1½	G 2
<b>Dimensions in mm</b>	L (mm)	125	134	175	190	220	255
	I (mm)	69	72	100	105	130	140
	H (mm)	107	107	132	194	194	187
	<b>Peak flow rate in m³/h (at 2m/s)</b>	Residential buildings according to EN 1567	1,3	2,3	3,6	5,8	9,1
<b>Peak flow rate in m³/h (at 3m/s)</b>	Industrial/commercial buildings according to EN 806-2	1,8	3,3	5,4	8,6	13,7	21,2

Accessories

Pressure gauge: Type 11



## Components / Order numbers

①  
**Pressure reducer cartridge  
with outlet pressure indicator**  
DN 15+20      402106  
DN 25          402107  
DN 32 - 50    402108

②  
**Threaded union**  
composed of:  
captive nut, union piece,  
seal  
DN 15  
DN 20  
DN 25  
DN 32  
DN 40  
DN 50

③  
**Pressure gauge plug**

④  
**Body**

