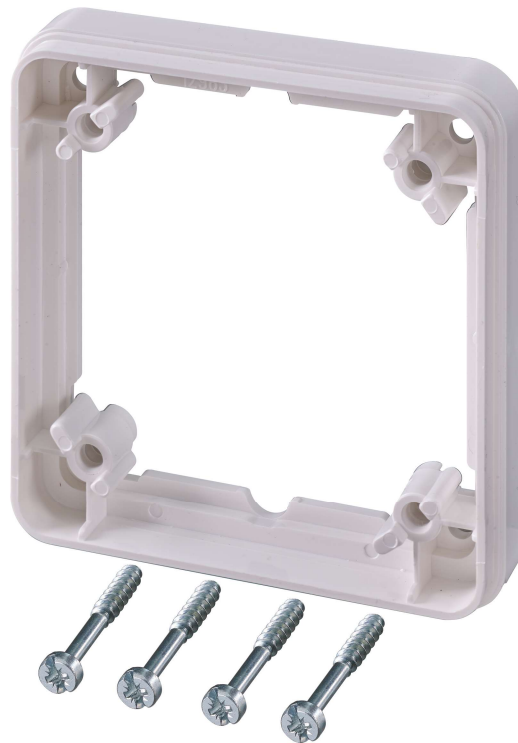


# Spacer frame Cepex

Part number: 4239



**MENNEKES**

Elektrotechnik GmbH & Co. KG  
Aloys-Mennekes-Straße 1  
57399 KIRCHHUNDEM GERMANY  
[www.MENNEKES.org](http://www.MENNEKES.org)

# Product Description

- to compensate for unequal heights
- matching all Cepex all mounted receptacles 16A

## Technical Details

Spacer frame - Cepex		4239
Product serie	Cepex	
Weight (ne)	37 g	
Packaging unit	25 pcs	
Quantity per pallet	2.475 pcs	
EAN / identification number	4015394022879	

### Material properties

Spacer frame	PC pure white [similar RAL 9010]
--------------	----------------------------------

### Material resistance

The material resistance overview can be found on the website in the section "Knowledge" - "Product knowledge" - "Materials"

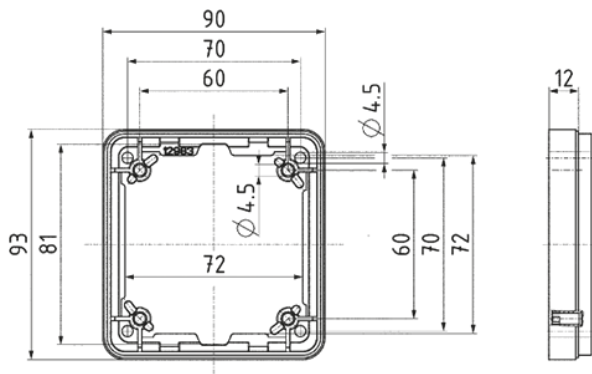
### Material and environmental properties

RoHS 2011/65/EU incl. 2015/863/EU	✓
POP regulation (EU) 2019/1021	✓

### Regulations and Standards

Declaration of Conformity	CE
---------------------------	----

# Dimensional Drawing



Drawing  
1 MB 302

Dim. in mm