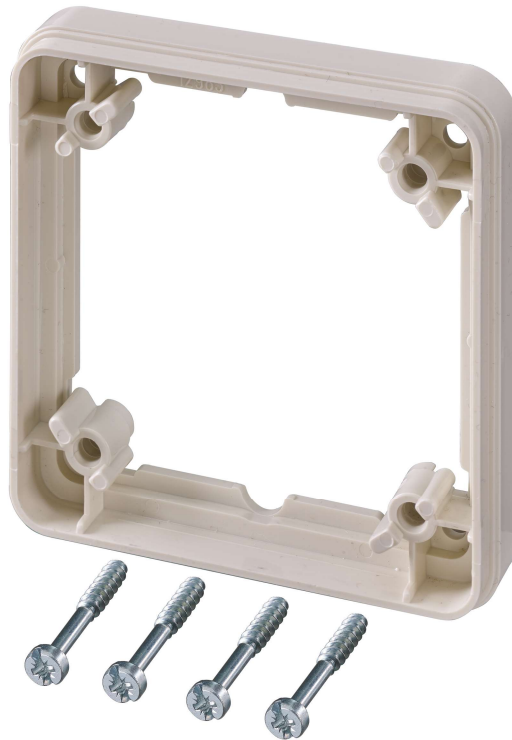


# Spacer frame Cepex

Part number: 4192



**MENNEKES**

Elektrotechnik GmbH & Co. KG  
Aloys-Mennekes-Straße 1  
57399 KIRCHHUNDEM GERMANY  
[www.MENNEKES.org](http://www.MENNEKES.org)

# Product Description

- to compensate for unequal heights
- matching all Cepex all mounted receptacles 16A

# Technical Details

Spacer frame - Cepex		4192
Product serie	Cepex	
Weight (ne)	38 g	
Packaging unit	25 pcs	
Quantity per pallet	2.475 pcs	
EAN / identification number	4015394022480	

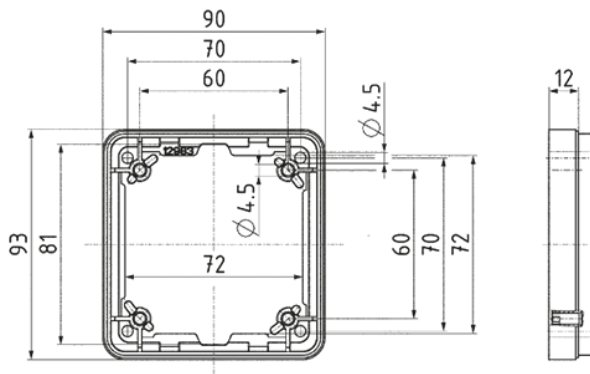
Material properties	
Spacer frame	PC oyster white [similar RAL 1013]

Material resistance	
The material resistance overview can be found on the website in the section "Knowledge" - "Product knowledge" - "Materials"	

Material and environmental properties	
RoHS 2011/65/EU incl. 2015/863/EU	✓
POP regulation (EU) 2019/1021	✓

Regulations and Standards	
Declaration of Conformity	CE

# Dimensional Drawing



Drawing  
1 MB 302

Dim. in mm