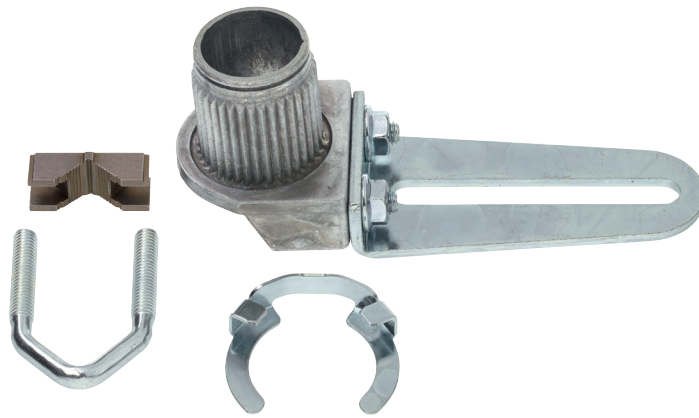


Damper crank arm for NF..A / SF..A

- for 3/4" spindles
- (round spindles clamping range 10...22 mm)

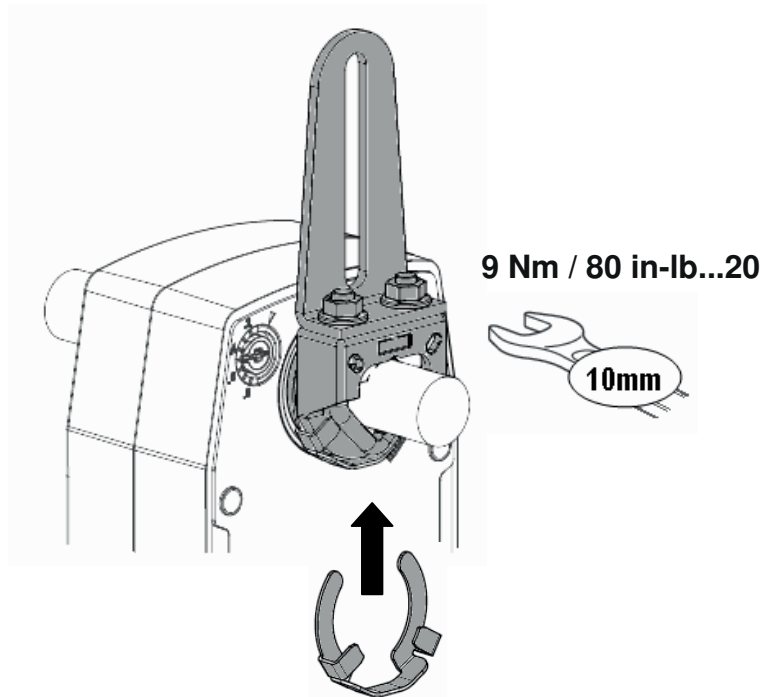





Technical data

Weight	Weight	0.21 kg
	Packaging size	Single-pack

Product features

- Used materials** Zinc die-cast
Galvanised steel
- Application** Suitable for NF..A, SF..A



			
mm	10...20 ¹⁾	≥ 10	≤ 20
inch	3/8...3/4 ¹⁾	≥ 3/8	≤ 3/4

¹⁾CrNi (INOX) 12...20 / 1/2"...3/4"

Dimensions [mm]

Dimensional drawings

