

# Plug SCHUKO

Part number: 152042



**MENNEKES**  
Elektrotechnik GmbH & Co. KG

Aloys-Mennekes-Straße 1  
57399 Kirchhundem  
GERMANY

[www.MENNEKES.org](http://www.MENNEKES.org)

## Product Description

- screw connection technology
- protection against kinking
- strain relief
- with cable gland
- with double PE-conductor acc. to German and French-Belgian standard
- for cables up to 3 x 2,5 mm<sup>2</sup>, up to H07RN-F

## Technical Details

Plug SCHUKO	152042
Product serie	SCHUKO
Ampere	16A
Number of poles	2p+PE
Nominal voltage AC	230V
Protection type IP	IP54
Contact carrier	standard
Connection	screw terminals
Contact screw drive	PZ1
Tightening torque connection terminal	0.5 Nm
Recommended wire end treatment for supply cable connection terminal	ferrule square gasproof crimped
Strip length jacket	35 mm
Strip length conductor	8 - 10 mm
Phase inverter	without phase inverter
Pilot contact	without pilot contact
Conductor cross-section min.	0.75 mm <sup>2</sup>
Conductor cross-section max.	2.5 mm <sup>2</sup>
Cable kink protection	integrated in cable gland
Protective grommet	without protective grommet
Protective cap	without protective cap
Weight (net)	66 g
Packaging unit	10 pcs
EAN / identification number	4015394311140

Permissible ambient conditions

	Min.	Max.
Permanent ambient temperature	-30 °C	40 °C

Material properties

Housing	PA6 orange [similar RAL 2008]
Fastening	PA6 black [similar RAL 9005]

Material resistance

The material resistance overview can be found on the website in the section “Knowledge” - “Product knowledge” - “Materials”.

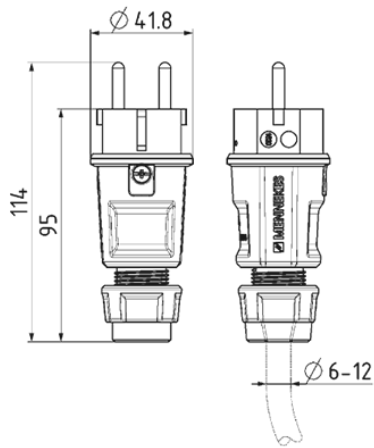
Material and enviromental properties

RoHS 2011/65/EU incl. 2015/863/EU	✓
POP regulation (EU) 2019/1021	✓

Regulations and Standards

Norm	DIN VDE 0620-2-1
Declaration of Conformity	CE

# Dimensional Drawing



Drawing  
2 MB 275

Dim. in mm