

# s.142 bib-cock

3/8"-1" hot forged brass  
with 3/4" outlet and hose



## Quality:

- Chrome plated brass ball for longer life

## Body:

- Hot forged sand blasted nickel plated brass body
- Angle pattern ball bib-cock with hose fitting
- Copper alloy brass according to EN 12165 and EN 12164 specifications

## Stem:

- FPM and NBR O-Rings at the stem for maximum safety

## Seals:

- Pure PTFE seats

## PED Directives:

- The product meets the requirements of PED Directive 97/23 and according to art.3 par.3, it does not require CE marking

## Threads:

- UNI ISO 228 male inlet thread
- 3/4" threaded outlet complete with hose

## Handle:

- Enameled red steel handle

## Working Pressure:

- 15 Bar up to 3/4", 12 Bar over
- non-shock cold working pressure

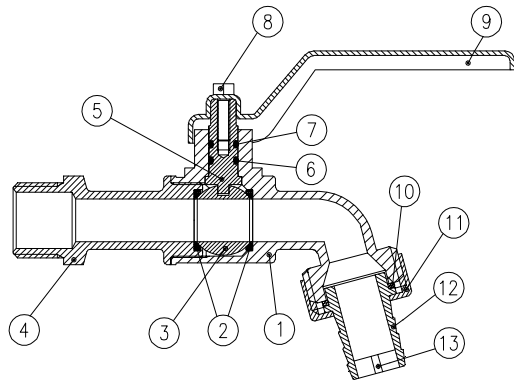
## Working Temperature:

- -20°C / +80°C
- Warning: freezing of the fluid in the installation may severely damage the valve

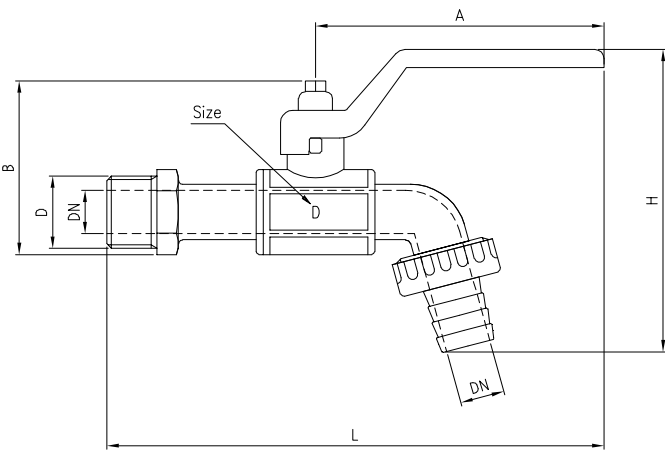
**Approved by or in compliance with:**

- GOST-R (Russia)
- Hygiene and epidemic center in Moscow city (Russia)
- UkrSepro (Ukraine)
- EAC - Declaration of conformity (Russia-Kazakhstan-Belarus)

**NOTE:** Approvals apply to specific configurations/sizes only.



Part Description	Q.ty	Material
1 Nickel plated body	1	CW617N
2 Seat	2	PTFE
3 Chrome plated ball	1	CW614N
4 Nickel plated end cap	1	CW617N
5 Stem O-Ring design	1	CW614N
6 O-Ring	1	FPM
7 O-Ring	1	NBR
8 Screw	1	Steel
9 Enameled red handle	1	Steel
10 Washer	1	PVC rubber
11 Nickel plated nut	1	CW617N
12 Nickel plated hose	1	CW617N
13 Infuser	1	Vestolen



Code	142C0P	142D0P	142E0P	142F0P
D (inch)	3/8	1/2	3/4	1
DN(mm)	10	12	12	15
B (mm)	53	53	61	65
L (mm)	135	137	148.5	158
A (mm)	80	80	88.5	88.5
H (mm)	93	93	108.5	126

Ask for additional information on the whole range of **RuB** valves and consult with your supplier for special applications.

The company reserves all rights for the information contained herein. Products may be changed at any time without notice. Any undated reference to a code or standard shall be interpreted as referring to the latest edition. **RuB** and logo are registered trademarks of **RuB**-Rubinetteria utensilerie Bonomi. Other logos and registered trademarks are property of respective owners.