

Plug SCHUKO

Part number: 152072



MENNEKES
Elektrotechnik GmbH & Co. KG

Aloys-Mennekes-Straße 1
57399 Kirchhundem
GERMANY

www.MENNEKES.org

Product Description

- screw connection technology
- protection against kinking
- strain relief
- with cable gland
- with double PE-conductor acc. to German and French-Belgian standard
- for cables up to 3 x 2,5 mm², up to H07RN-F

Technical Details

| Plug SCHUKO | 152072 |
|---|---------------------------------|
| Product serie | SCHUKO |
| Ampere | 16A |
| Number of poles | 2p+PE |
| Nominal voltage AC | 230V |
| Protection type IP | IP54 |
| Contact carrier | standard |
| Connection | screw terminals |
| Contact screw drive | PZ1 |
| Tightening torque connection terminal | 0.5 Nm |
| Recommended wire end treatment for supply cable connection terminal | ferrule square gasproof crimped |
| Strip length jacket | 35 mm |
| Strip length conductor | 8 - 10 mm |
| Phase inverter | without phase inverter |
| Pilot contact | without pilot contact |
| Conductor cross-section min. | 0.75 mm ² |
| Conductor cross-section max. | 2.5 mm ² |
| Cable kink protection | integrated in cable gland |
| Protective grommet | without protective grommet |
| Protective cap | without protective cap |
| Weight (net) | 66 g |
| Packaging unit | 10 pcs |
| EAN / identification number | 4015394311164 |

Permissible ambient conditions

| | Min. | Max. |
|-------------------------------|--------|-------|
| Permanent ambient temperature | -30 °C | 40 °C |

Material properties

| | |
|-----------|------------------------------|
| Housing | PA6 black [similar RAL 9005] |
| Fastening | PA6 black [similar RAL 9005] |

Material resistance

The material resistance overview can be found on the website in the section “Knowledge” - “Product knowledge” - “Materials”.

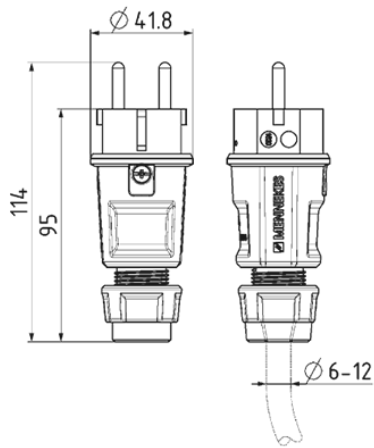
Material and enviromental properties

| | |
|-----------------------------------|---|
| RoHS 2011/65/EU incl. 2015/863/EU | ✓ |
| POP regulation (EU) 2019/1021 | ✓ |

Regulations and Standards

| | |
|---------------------------|------------------|
| Norm | DIN VDE 0620-2-1 |
| Declaration of Conformity | CE |

Dimensional Drawing



Drawing
2 MB 275

Dim. in mm