

Panel mounted receptacle

Part number: 1457



MENNEKES
Elektrotechnik GmbH & Co. KG

Aloys-Mennekes-Straße 1
57399 Kirchhundem
GERMANY

www.MENNEKES.org

Product Description

- frame terminals
- X-CONTACT
- straight insertion direction
- rubberised bayonet ring

Technical Details

| Panel mounted receptacle | 1457 |
|---------------------------------------|-----------------------|
| Ampere | 125A |
| Number of poles | 4p |
| Clock position | 6h |
| Nominal voltage AC | 400V |
| Nominal frequency | 50 - 60 Hz |
| Protection type IP | IP67 |
| Contact carrier | standard |
| X-CONTACT | yes |
| Connection | frame terminals |
| Contact screw drive | allen key |
| Pilot contact | without pilot contact |
| Pilot contact switch | no |
| Flange dimensions | 130 x 130 mm |
| Hole spacings | 104 x 104 mm |
| Insertion direction | straight |
| Highly resistant to chemicals | no |
| Military version | no |
| Tightening torque connection terminal | 10 Nm |
| Conductor cross-section min. | 25 mm ² |
| Conductor cross-section max. | 70 mm ² |
| Weight (net) | 1135 g |
| Packaging unit | 5 pcs |
| Quantity per pallet | 240 pcs |
| EAN / identification number | 4015394011095 |

Permissible ambient conditions

| | Min. | Max. |
|-----------------------------------|--------|-------|
| Permissible ambient temperature | -25 °C | 40 °C |
| Average temperature over 24 hours | | 35 °C |

Material properties

| | |
|------------|---|
| Front part | PC red [similar RAL 3013] |
| Flange | PC light grey [similar RAL 7035] |
| Hinged lid | PBT/PC red [similar RAL 3013] |
| | TPE black [similar RAL 9005] |
| | PBT/PC squirrel grey [similar RAL 7000] |
| | TPE anthracite [similar RAL 7016] |

Material resistance

The material resistance overview can be found on the website in the section “Knowledge” - “Product knowledge” - “Materials”.

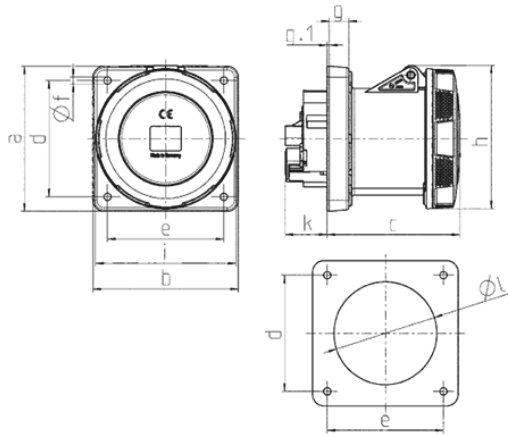
Material and environmental properties

| | |
|-----------------------------------|----|
| RoHS 2011/65/EU incl. 2015/863/EU | ✓ |
| POP regulation (EU) 2019/1021 | ✓ |
| Halogen-free | no |

Regulations and Standards

| | |
|---------------------------|--------------------|
| Norm | DIN EN IEC 60309-2 |
| Declaration of Conformity | CE |
| Test label | EAC, CQC |

Dimensional Drawing



| Drawing 1 MB 258 Dim. in mm | Amp. Poles | 125 | |
|--|---------------|-----------|-----------|
| | | 4 | 5 |
| a | | 130 | 130 |
| b | | 130 | 130 |
| c | | 119 | 119 |
| d | | 104 | 104 |
| e | | 104 | 104 |
| f | | 6.5 | 6.5 |
| g. | | 18 | 18 |
| g.1 | | 2 | 2 |
| h | | 129 | 129 |
| i | | 126 | 126 |
| k | | 43 | 43 |
| l | | 98 | 98 |
| Terminal for cond. cross section (mm ²) min.-max. | | 25 —70 | 25 —70 |