

Connector SCHUKO

Part number: 158061



MENNEKES
Elektrotechnik GmbH & Co. KG

Aloys-Mennekes-Straße 1
57399 Kirchhundem
GERMANY

www.MENNEKES.org

Product Description

- screw connection technology
- protection against kinking
- strain relief
- with cable gland
- for cables up to 3 x 2,5 mm², up to H07RN-F
- with self-closing hinged lid

Technical Details

Connector SCHUKO	158061
Product serie	SCHUKO
Ampere	16A
Number of poles	2p+PE
Nominal voltage AC	230V
Protection type IP	IP54
Contact carrier	standard
X-CONTACT	no
Connection	screw terminals
Contact screw drive	PZ1
Tightening torque connection terminal	0.5 Nm
Recommended wire end treatment for supply cable connection terminal	ferrule square gasproof crimped
Strip length jacket	35 mm
Strip length conductor PH + N	8 - 10 mm
Pilot contact	without pilot contact
Conductor cross-section min.	0.75 mm ²
Conductor cross-section max.	2.5 mm ²
Cable kink protection	integrated in cable gland
Protective grommet	without protective grommet
Weight (net)	114 g
Packaging unit	10 pcs

Connector SCHUKO	158061
EAN / identification number	4015394310969

Permissible ambient conditions		
	Min.	Max.
Permanent ambient temperature	-30 °C	40 °C

Material properties	
Housing	PA6 red [similar RAL 3000]
Hinged lid	PA6 black [similar RAL 9005]
Fastening	PA6 black [similar RAL 9005]

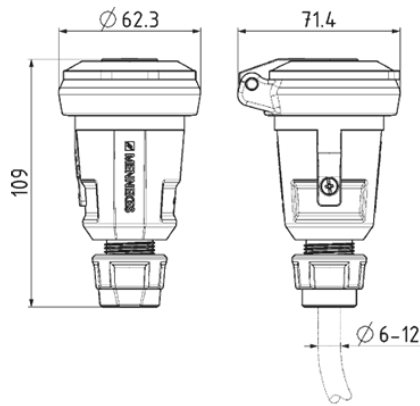
Material resistance

The material resistance overview can be found on the website in the section “Knowledge” - “Product knowledge” - “Materials”.

Material and environmental properties	
RoHS 2011/65/EU incl. 2015/863/EU	✓
POP regulation (EU) 2019/1021	✓

Regulations and Standards	
Norm	DIN VDE 0620-2-1
Declaration of Conformity	CE

Dimensional Drawing



Drawing
3 MB 88

Dim. in mm