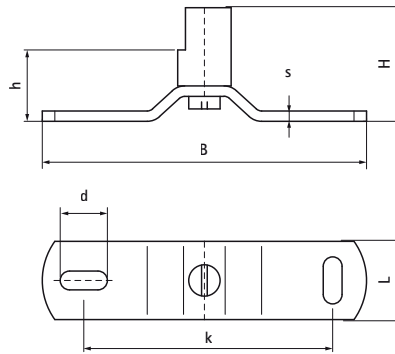
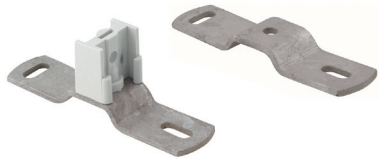


## Walraven Stainless Steel Expansion Joint Bracket

(M1410)

accessories Walraven PVC pipe clamps



### Features & benefits

- for fixing of rain water pipe over expansion joints
- with 'claws' which grip on to the band
- material: connection bracket made of stainless steel 1.4404 (AISI 316L); connector made of PC (polycarbonate), grey

Product Number	Total Height	Total Width	Total Depth	Fixing Slot
Reference letter	$H$	$W$	$DtT$	$FS$
Unit description	$mm$	$mm$	$mm$	$mm$
1487000	36	104	25	15x8,5