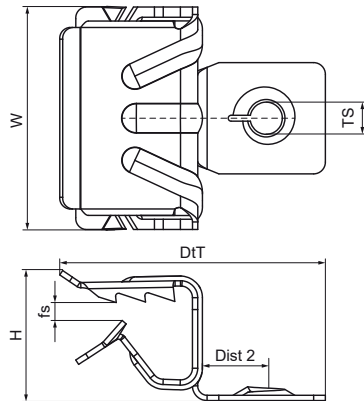


## Walraven Britclips® FCR M6

(J0535)

for flange



### Features & benefits

- for a solid fixing to steel construction without the need for welding or drilling
- with female thread M6
- material: spring steel (type CS70)
- surface treatment: Delta-Tone 9000 (480 hours)

Product Number	For flange size	Thread Size	Distance 2	Total Height	Total Width	Total Depth	Maximum Allowed Load Faz
<i>Reference Letter</i>	<i>fs</i>	<i>TS</i>	<i>Dist 2</i>	<i>H</i>	<i>W</i>	<i>DtT</i>	<i>F<sub>0,2</sub></i>
<i>Unit description</i>	<i>mm</i>		<i>mm</i>	<i>mm</i>	<i>mm</i>	<i>mm</i>	<i>N</i>
50425609	4 - 8	M6	13	12	38	46	200
50425616	8 - 14	M6	13	17	38	46	200