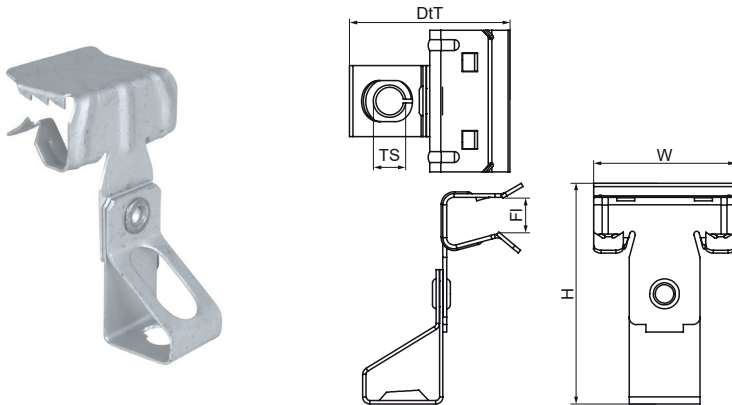


Walraven Britclips® FC ICT

(J0545)

for flange



Features & benefits

- for a solid fixing to steel construction without the need for welding or drilling
- with threaded rod holder (rod height adjustable by screwing)
- material: spring steel (type CS70)
- surface treatment: Delta-Tone 9000 (480 hours)

Product Number	Flange	Thread Size	Total Height	Total Width	Total Depth	Maximum Allowed Load Faz
<i>Reference Letter</i>	<i>Fl</i>	<i>TS</i>	<i>H</i>	<i>W</i>	<i>D_tT</i>	<i>F_{a,z}</i>
<i>Unit description</i>	<i>mm</i>		<i>mm</i>	<i>mm</i>	<i>mm</i>	<i>N</i>
50420609	4-8	M6	55	38	42	650
50420616	8-14	M6	61	38	42	650
50420620	14-20	M6	64	38	42	650
50420809	4-8	M8	55	38	42	700
50420816	8-14	M8	61	38	42	700