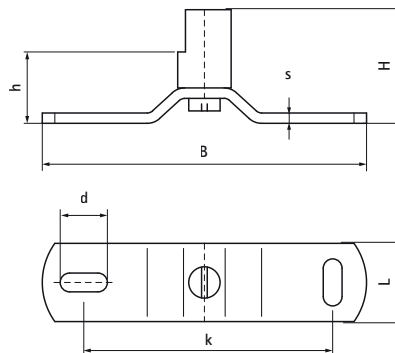
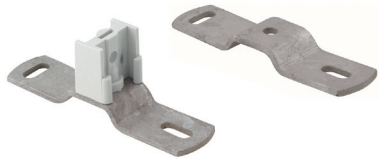


Walraven Stainless Steel Expansion Joint Bracket

(M1410)

accessories Walraven PVC pipe clamps



Features & benefits

- for fixing of rain water pipe over expansion joints
- with 'claws' which grip on to the band
- material: connection bracket made of stainless steel 1.4404 (AISI 316L); connector made of PC (polycarbonate), grey

Product Number	Total Height	Total Width	Total Depth	Fixing Slot
Reference letter	H	W	DtT	FS
Unit description	mm	mm	mm	mm
1487000	36	104	25	15x8,5