

Product data sheet Spirotech

Product name

SpiroVent Superior S16A

Product properties

A fully automatic vacuum degasser for closed heating, cooling and process systems with a pressure between 9 and 16 bar.

I: insulated

R: with direct refill

- Applicable for systems with pressures between 9 & 16 bar
- Removes all gases, free air, microbubbles and dissolved gases
- Absorptive fluid ensures the removal of trapped gas bubbles
- Easy installation, reducing commissioning and handover
- Energy-efficient whilst still achieving the lowest possible gas concentration thanks to SmartSwitch
- Degassed (re)filling and sustained pressure
- Warns before (re)filling becomes excessive
- Can team up with all common expansion systems
- The B and R versions have an integrated automatic refill system
- Two-year guarantee

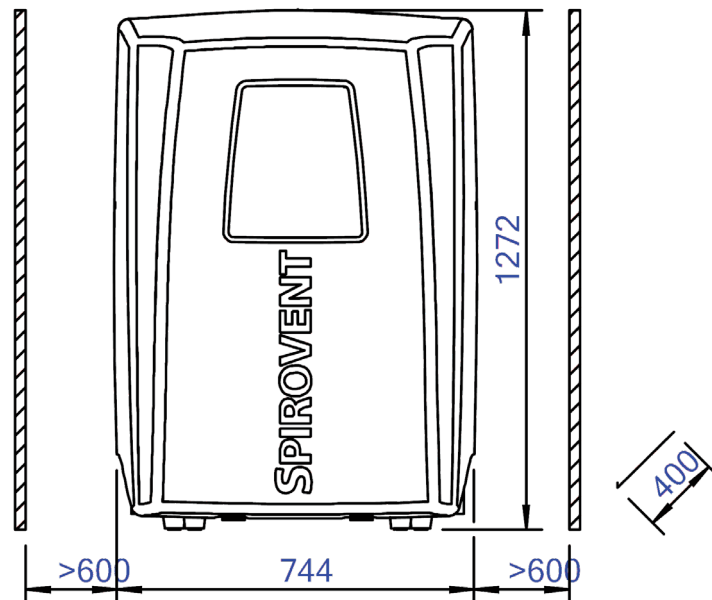
Article number

MA16A50

Product image



Product dimensions



Product data sheet Spirotech

ETIM product data

Height	1272 mm
With insulation	No
Max. glycol mixture	40 %
Article compression class	PN 25
Suitable for closed system	Yes
Max. installation contents	300000 l
Width	744 mm
Depth	400 mm
Connection voltage	360 - 440 V
Max. flow rate	1000 l/h
Connection size inlet	3/4 inch
Connection inlet	External thread cylindrical BSPP-G (ISO 228-1)
Connection size outlet	3/4 inch
Connection outlet	External thread cylindrical BSPP-G (ISO 228-1)
Frequency	50 Hz

Sound pressure level	57 dB(A)
Ambient temperature	0 - 40 °C
Degree of protection (IP)	IPX4D
Operating pressure	9 - 16 bar
LAN connection	No
Max. electric power input	2.25 kW
Wi-Fi	No
With communication interface RS-485	No
Communication interface inverter MOD-Bus	No
Bluetooth	No
Supporting protocol for BACnet	No
Potential free switch contact	Yes
Touchscreen operation	No
Remote controllable function	Yes
Nominal current	4.3 A

Disclaimer

This product sheet has been compiled with the greatest possible care. Nevertheless, it may contain errors or omissions. For the most current and correct information we refer you to our website

