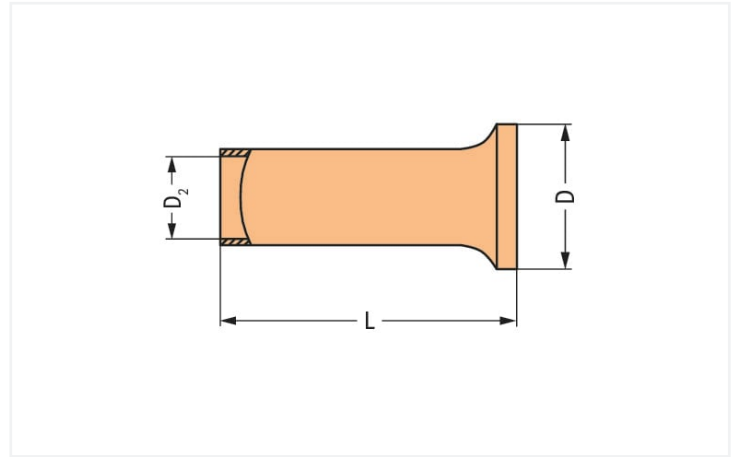




Similar to illustration



Dimensions in mm

Technical data

Sleeve cross-section (AWG)	12 AWG
Sleeve for	4 mm ²

Physical data

Length	9 mm
Diameter	4 mm
Diameter crimp sleeve inside	2.8 mm

Material data

Fire load	0 MJ
Weight	0.2 g

Commercial data

Product Group	2 (Terminal Block Accessories)
ETIM 8.0	EC000005
ETIM 7.0	EC000005
PU (SPU)	100 pcs
Packaging type	Box
Country of origin	DE
GTIN	4055143182089
Customs tariff number	85366990990

Environmental Product Compliance

RoHS Compliance Status	Compliant, No Exemption
------------------------	-------------------------

Downloads

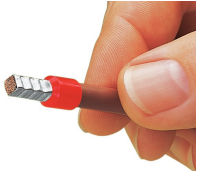
Environmental Product Compliance

Compliance Search

Environmental Product
Compliance 216-117



Installation Notes



A perfect gas-tight crimp – both electrical-
ly and mechanically reliable