

Panel mounted receptacle

Part number: 1273



MENNEKES
Elektrotechnik GmbH & Co. KG

Aloys-Mennekes-Straße 1
57399 Kirchhundem
GERMANY

www.MENNEKES.org

Product Description

- screw connection technology
- 20° inclination

Technical Details

Panel mounted receptacle	1273
Ampere	32A
Number of poles	3p
Clock position	12h
Nominal voltage AC	40 - 50V
Nominal frequency	50 - 60 Hz
Protection type IP	IP44
Contact carrier	standard
X-CONTACT	no
Connection	screw terminals
Contact screw drive	PZ2, slot
Pilot contact	without pilot contact
Pilot contact switch	no
Flange dimensions	68 x 68 mm
Hole spacings	62 x 62 mm
Insertion direction	angled
Inclination	20°
Highly resistant to chemicals	no
Military version	no
Tightening torque connection terminal for cable cross-section 1,0 - 1,5 mm ²	0.6 Nm
Tightening torque connection terminal for cable cross-section 2,5 - 4,0 mm ²	0.8 Nm
Tightening torque connection terminal for cable cross-section 6 - 10 mm ²	1.2 Nm
Strip length flexible conductor	12 - 17 mm
Strip length solid conductor	12 - 17 mm
Conductor cross-section min.	4 mm ²

Panel mounted receptacle	1273
Conductor cross-section max.	10 mm ²
Weight (net)	143 g
Packaging unit	10 pcs
Quantity per pallet	2080 pcs
EAN / identification number	4015394009092

Permissible ambient conditions		
	Min.	Max.
Permissible ambient temperature	-25 °C	40 °C
Average temperature over 24 hours		35 °C

Material properties	
Housing	PA6 light grey [similar RAL 7035]
Hinged lid	PA6 light grey [similar RAL 7035]

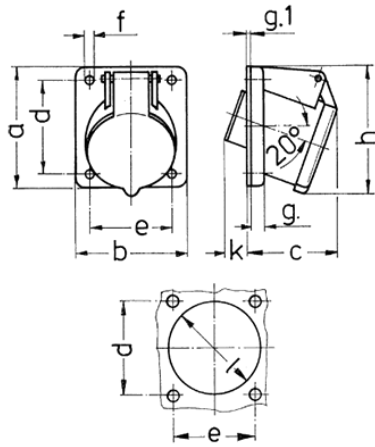
Material resistance

The material resistance overview can be found on the website in the section “Knowledge” - “Product knowledge” - “Materials”.

Material and environmental properties	
RoHS 2011/65/EU incl. 2015/863/EU	✓
POP regulation (EU) 2019/1021	✓
Halogen-free	yes

Regulations and Standards	
Norm	DIN EN IEC 60309-2
Declaration of Conformity	CE
Test label	EAC, CQC

Dimensional Drawing



Drawing 1 MB 231	Amp. Poles	16		32	
		2	3	2	3
Dim. in mm	a	68	68	68	68
	b	62	62	62	62
	c	42	42	42	42
	d	53	53	53	53
	e	47	47	47	47
	f	4.5	4.5	4.5	4.5
	g.	8	8	8	8
	g.1	2	2	2	2
	h	72	72	72	72
	k	32	32	32	32
	l	55	55	55	55
Terminal for cond. cross section (mm ²) min.-max.		4	4	4	4
		-10	-10	-10	-10