

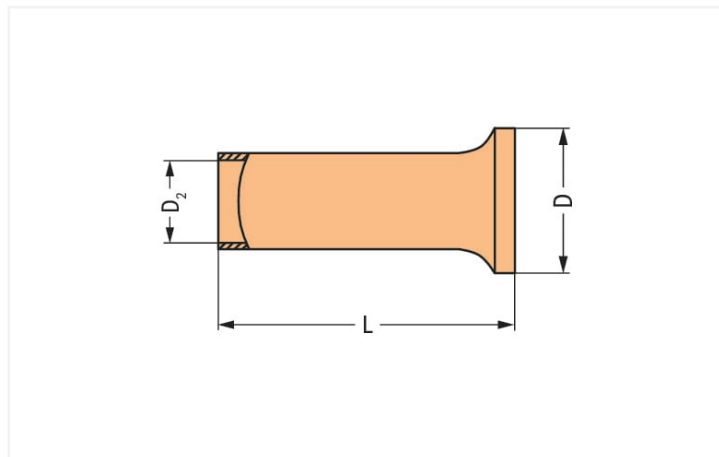
## Data Sheet | Item Number: 216-110

Ferrule; Sleeve for 16 mm<sup>2</sup> / AWG 6; uninsulated; electro-tin plated; brown metallic

<https://www.wago.com/216-110>



Color: ■ brown metallic



Dimensions in mm

### Technical data

Sleeve cross-section (AWG)	6 AWG
Sleeve for	16 mm <sup>2</sup>

### Connection data

Strip length	15 mm / 0.59 inches
--------------	---------------------

### Physical data

Length	15 mm
Diameter	7.5 mm
Diameter crimp sleeve inside	5.8 mm

### Material data

Color	brown metallic
Fire load	0 MJ
Weight	0.5 g

### Commercial data

Product Group	2 (Terminal Block Accessories)
eCl@ss 10.0	27-40-02-01
eCl@ss 9.0	27-40-02-01
ETIM 8.0	EC000005
ETIM 7.0	EC000005
PU (SPU)	500 (250) pcs
Packaging type	Box
Country of origin	DE
GTIN	4017332277723
Customs tariff number	85369010000

### Environmental Product Compliance

RoHS Compliance Status	Compliant, No Exemption
------------------------	-------------------------

### Downloads

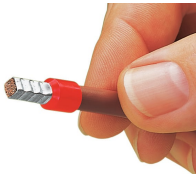
#### Environmental Product Compliance

Compliance Search	
Environmental Product Compliance 216-110	<a href="#">↓</a>

### Documentation

Bid Text			
216-110	11.09.2017	doc 24.50 KB	<a href="#">↓</a>
216-110	19.02.2019	xml 2.77 KB	<a href="#">↓</a>

### Installation Notes



A perfect gas-tight crimp – both electrical-ly and mechanically reliable