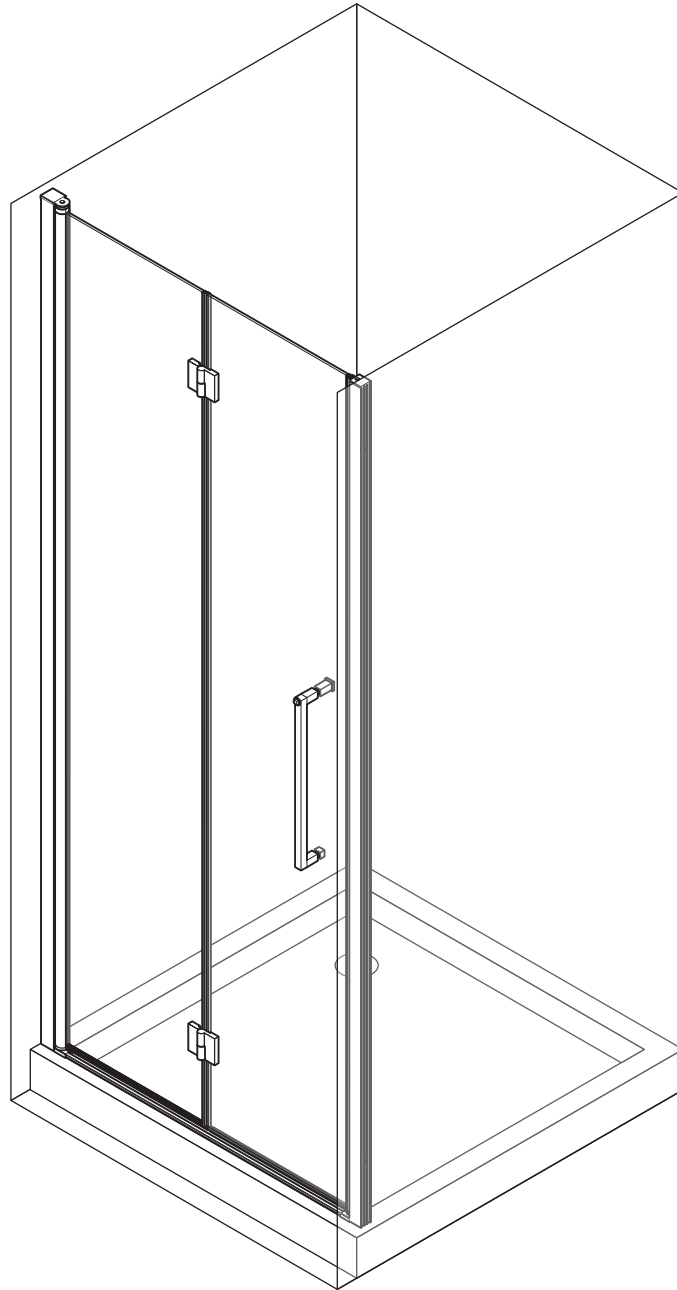
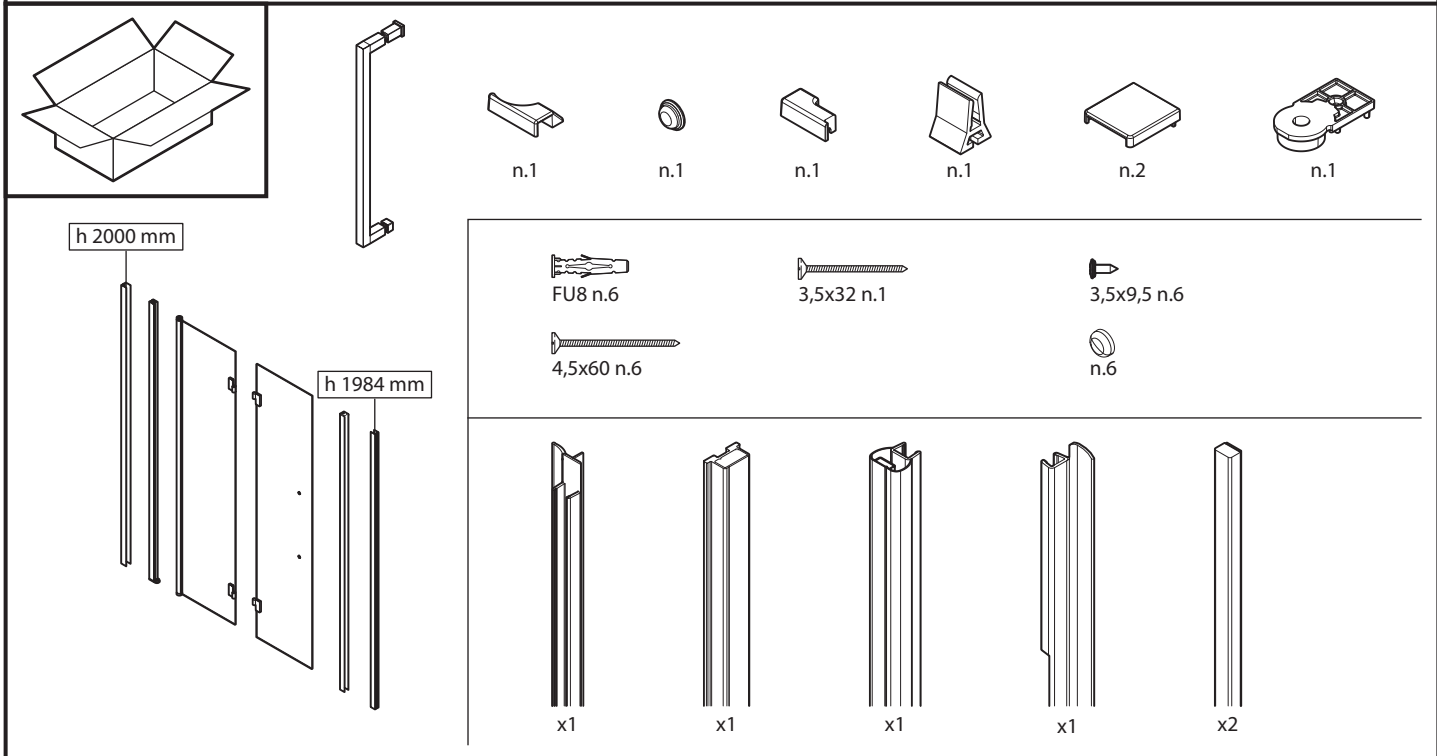
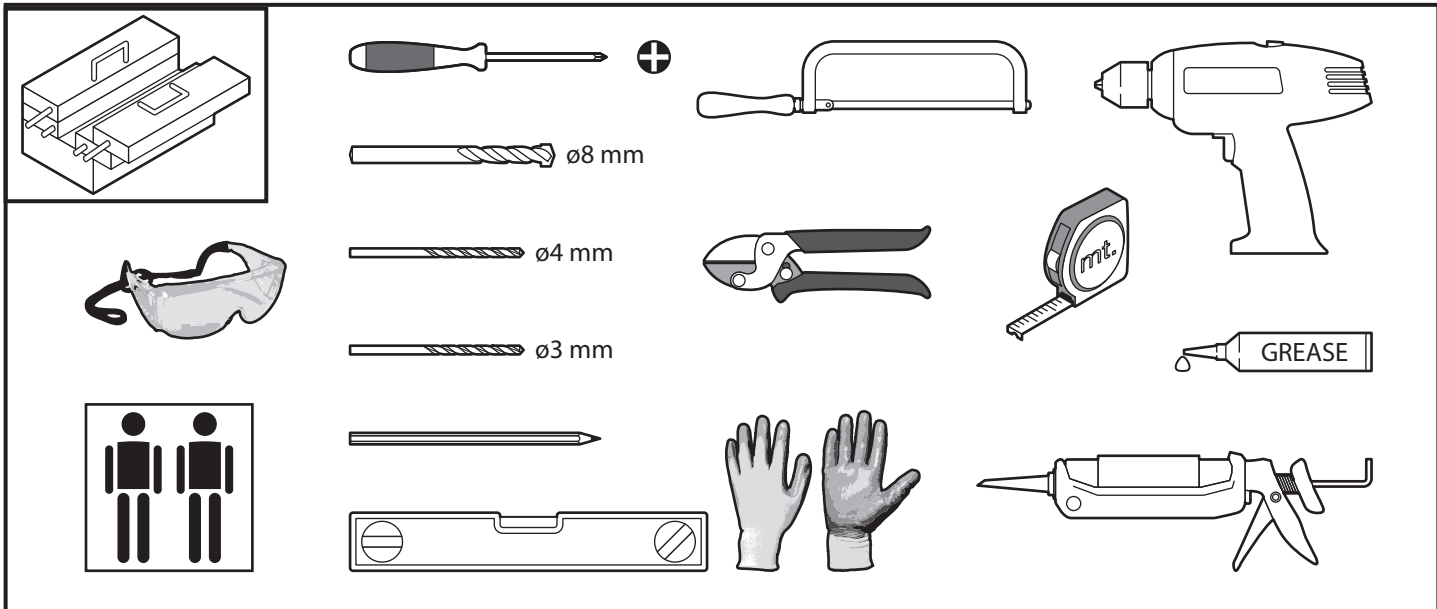


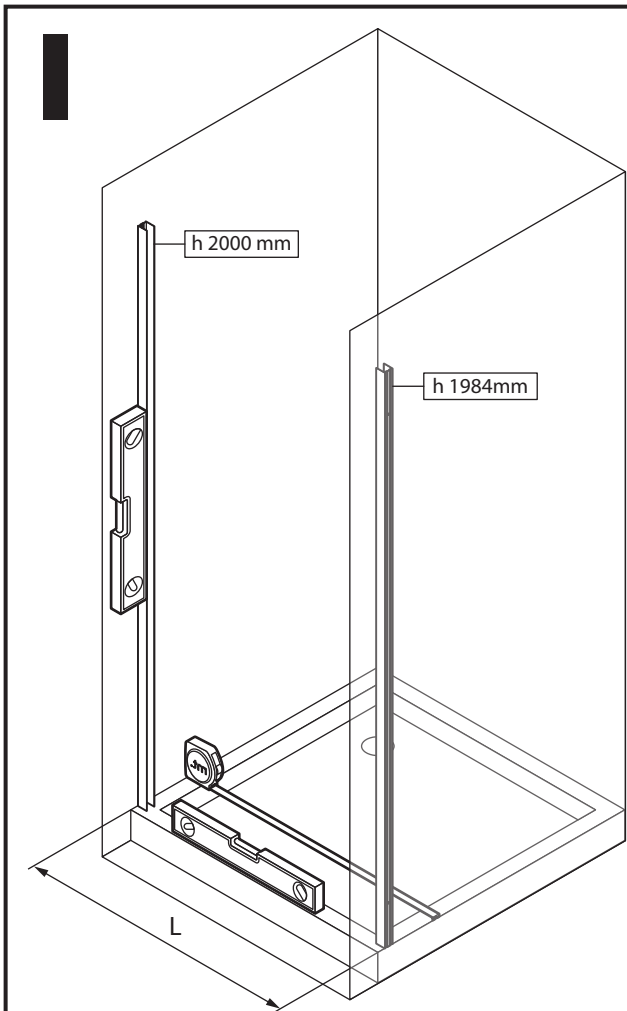
**1BS**



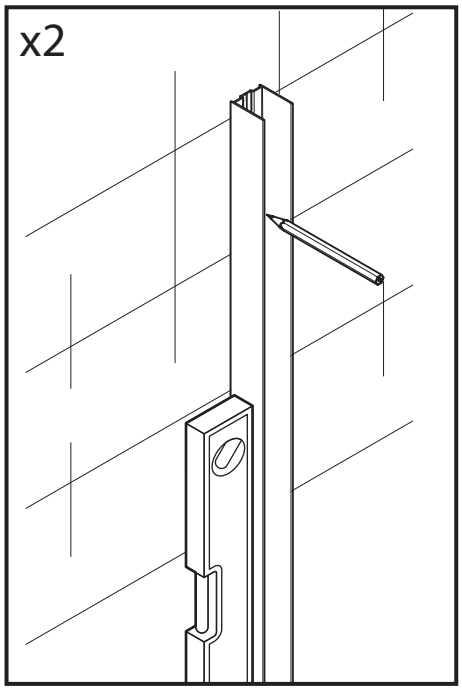
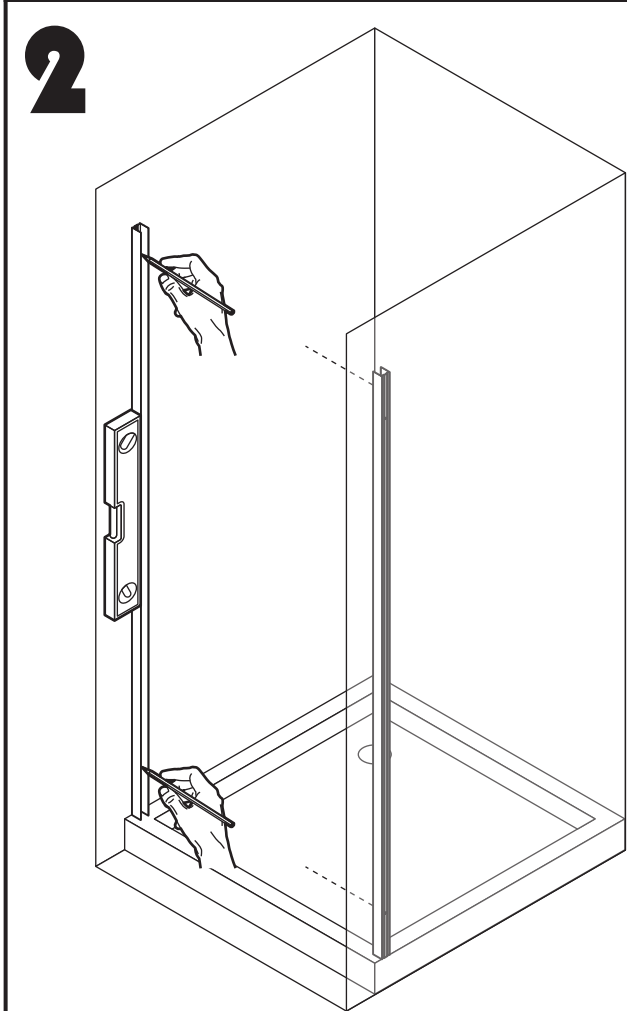
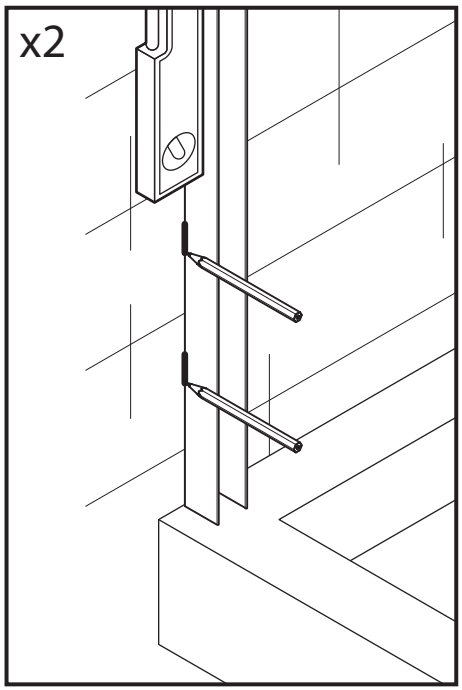



1BS57	L=57-61 cm
1BS65	L=65-69 cm
1BS67	L=67-71 cm
1BS72	L=72-76 cm
1BS77	L=77-81 cm
1BS82	L=82-86 cm
1BS87	L=87-91 cm
1BS94	L=94-98 cm
1BS97	L=97-101 cm
1BS107	L=107-111 cm
1BS117	L=117-121 cm

**CLEANIT OR WATER ONLY**



1BS57	L=57-61 cm
1BS65	L=65-69 cm
1BS67	L=67-71 cm
1BS72	L=72-76 cm
1BS77	L=77-81 cm
1BS82	L=82-86 cm
1BS87	L=87-91 cm
1BS94	L=94-98 cm
1BS97	L=97-101 cm
1BS107	L=107-111 cm
1BS117	L=117-121 cm

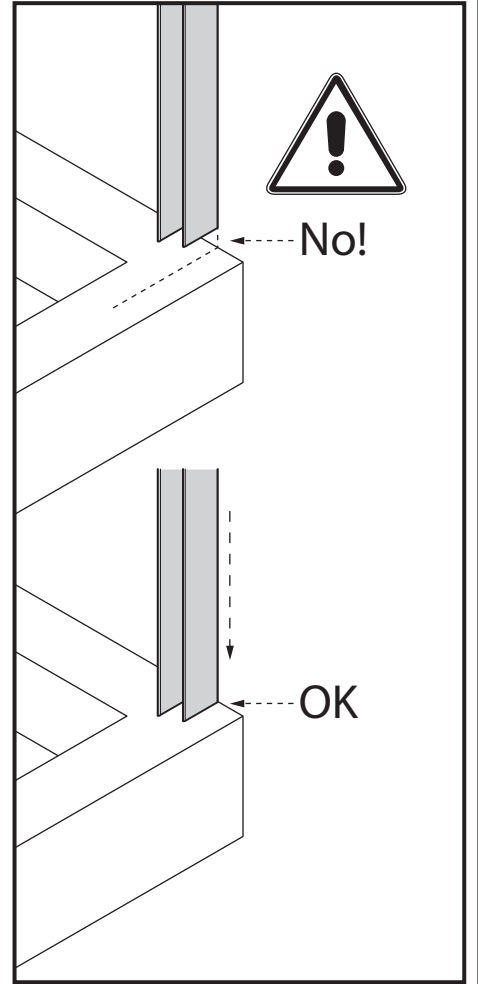
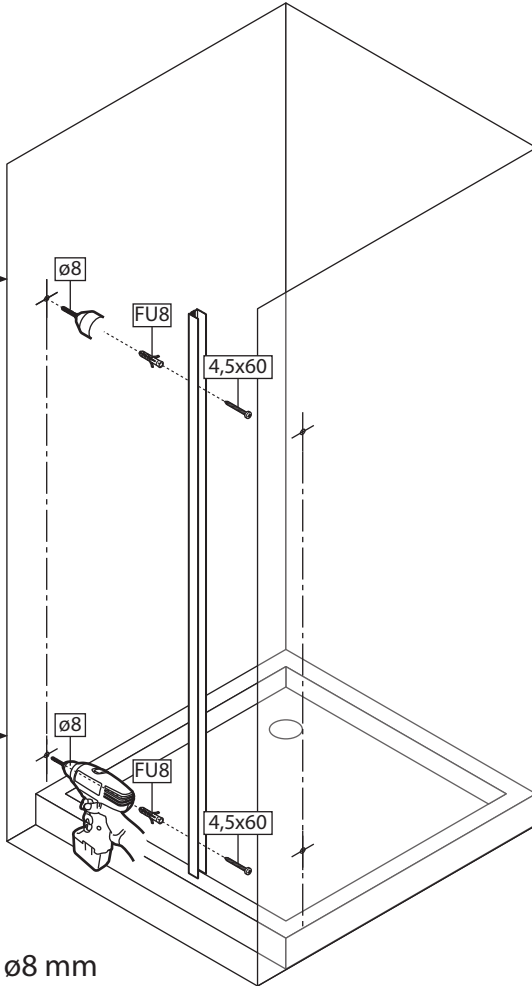


# 3

## 2°

## 1°

  $\varnothing 8$  mm

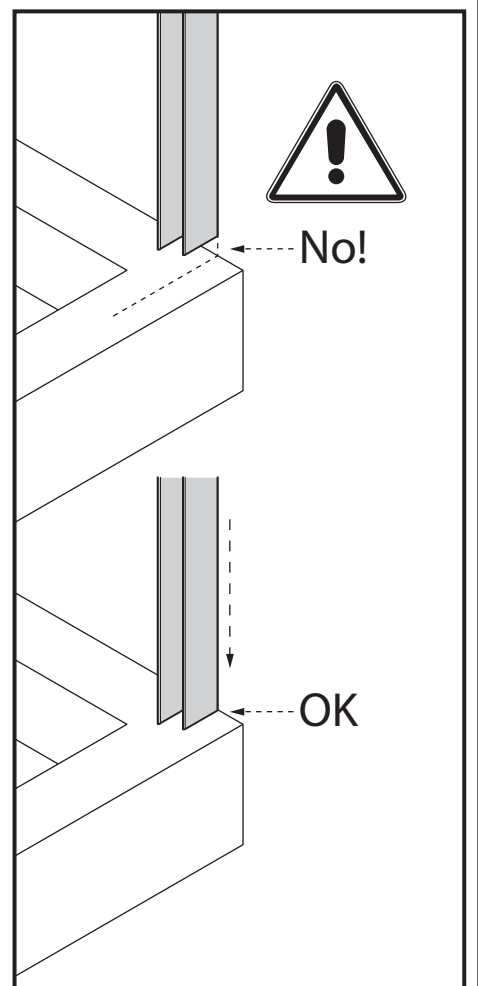
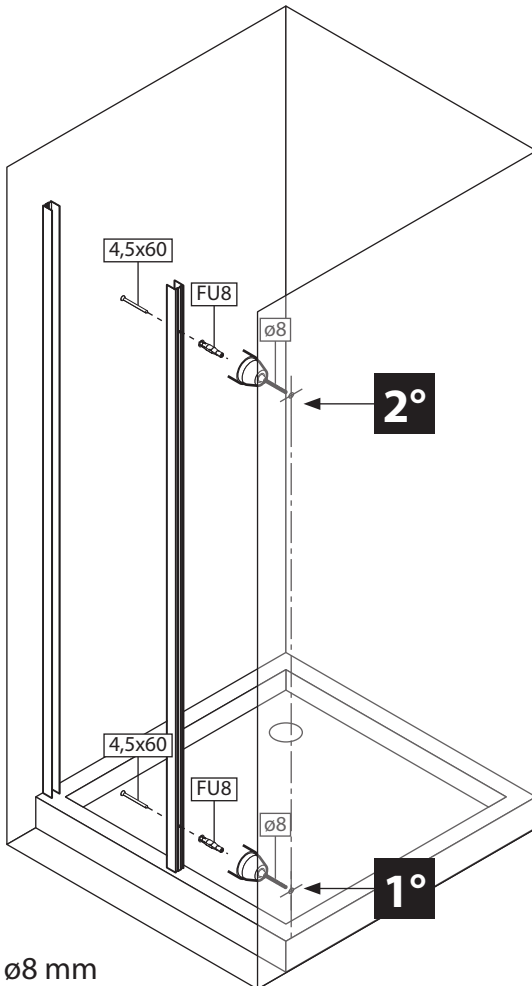


# 4

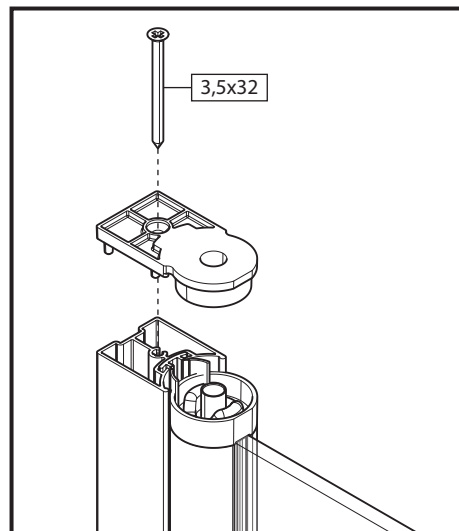
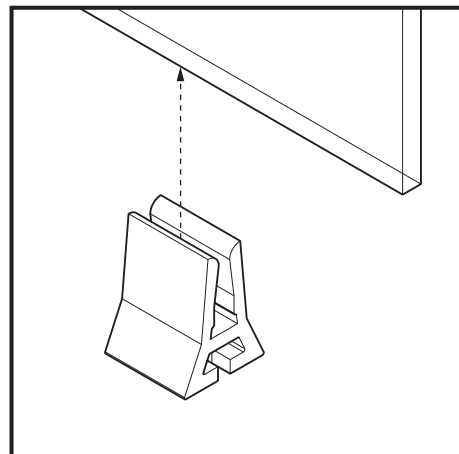
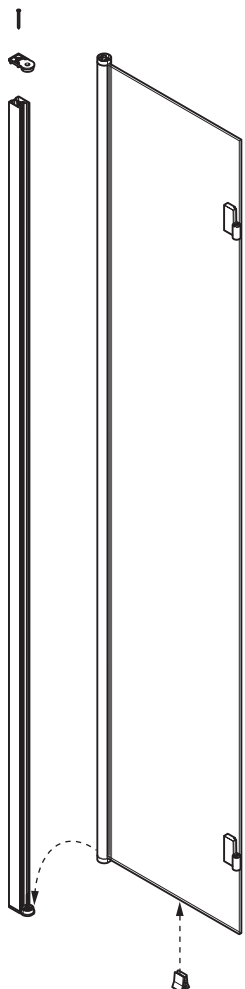
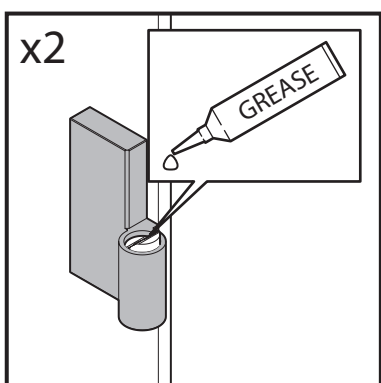
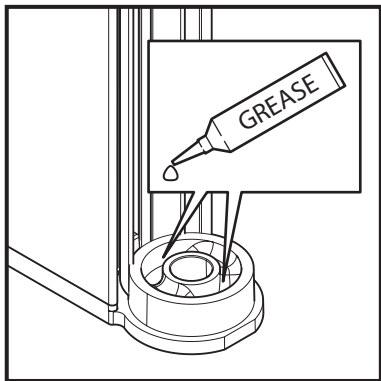
## 2°

## 1°

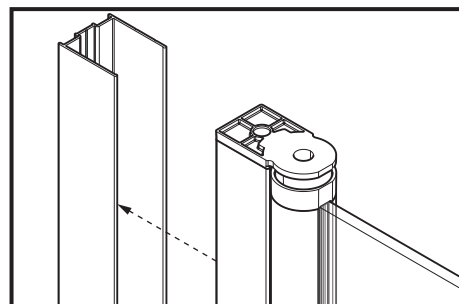
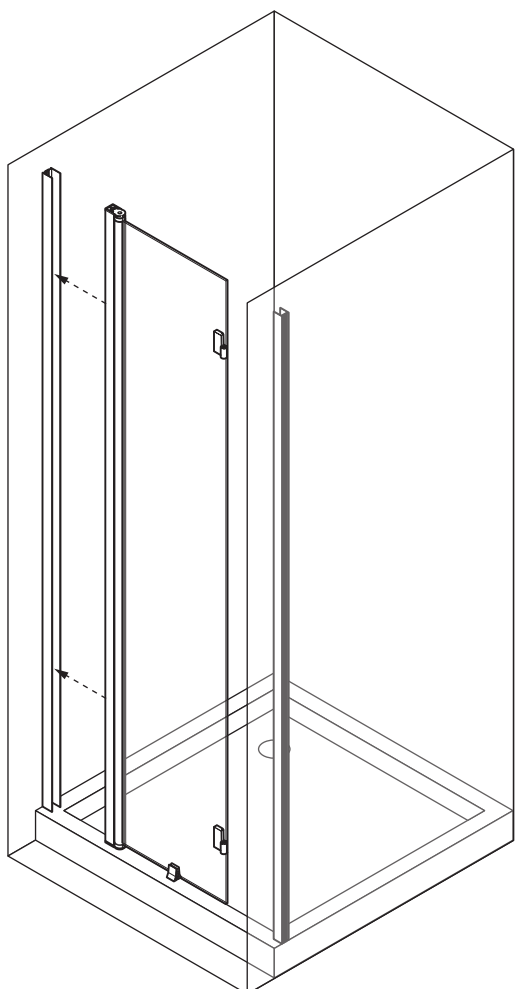
  $\varnothing 8$  mm



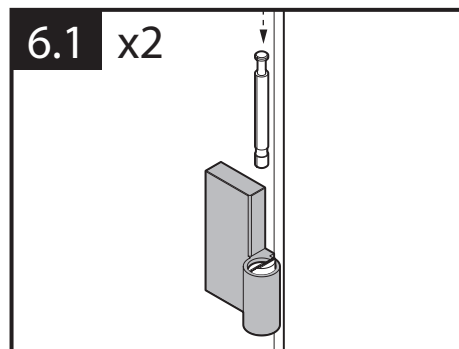
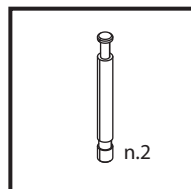
**5**



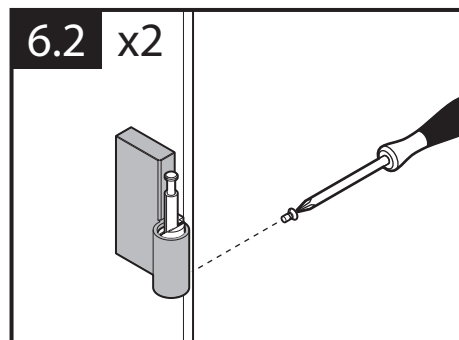
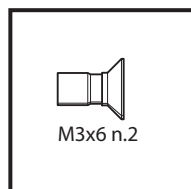
**6**



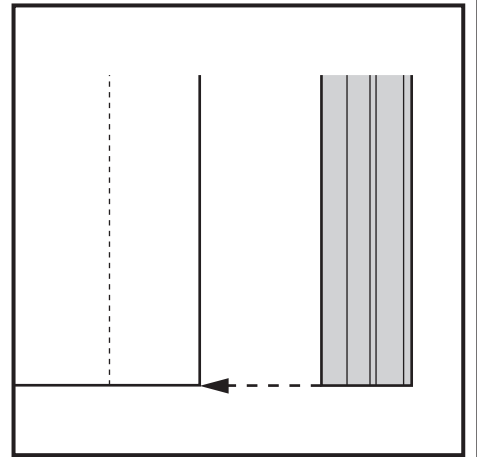
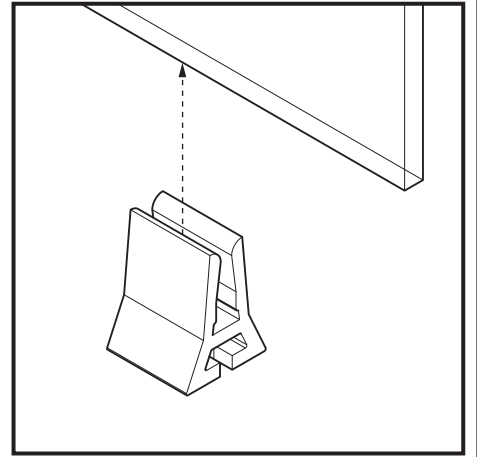
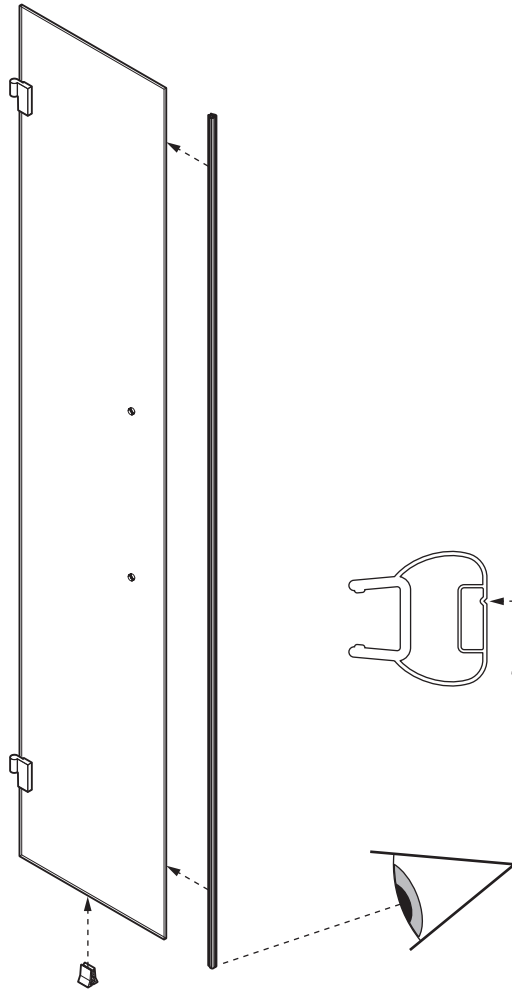
**6.1** x2



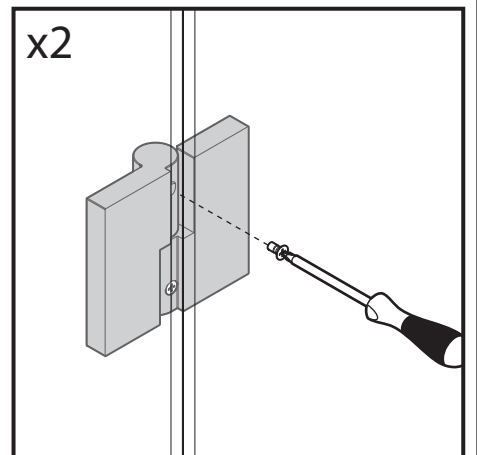
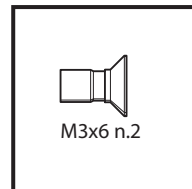
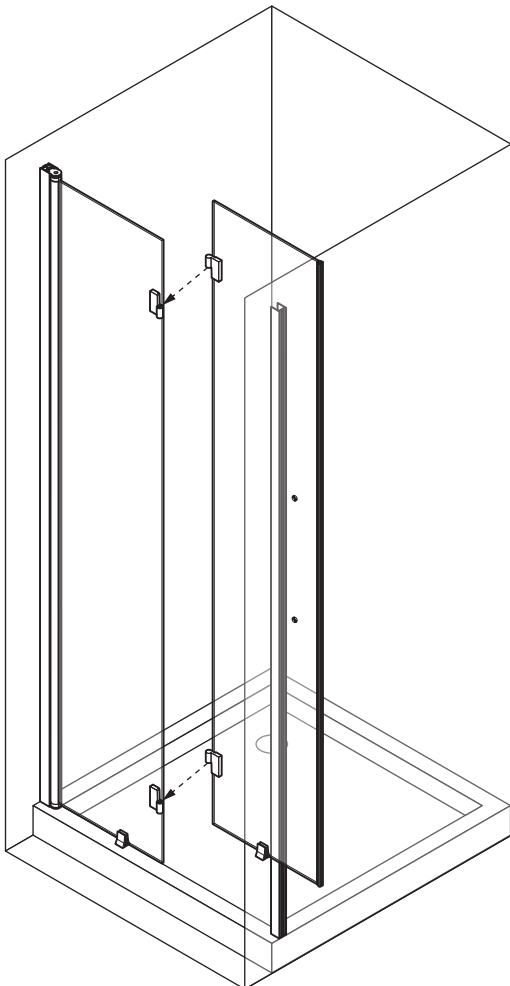
**6.2** x2



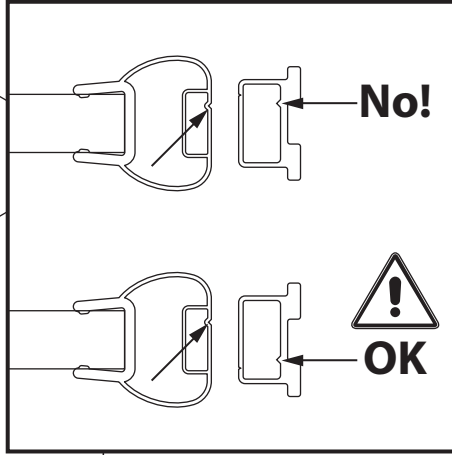
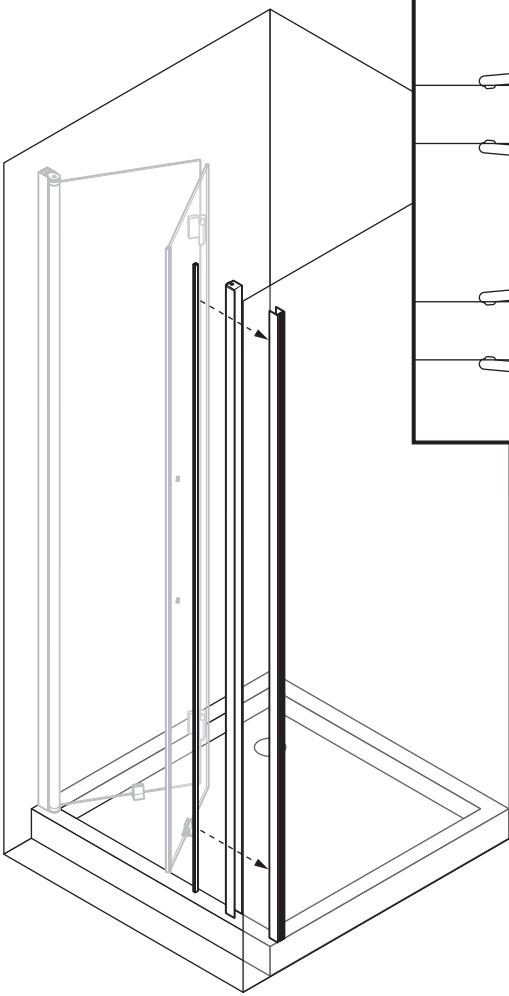
# 7



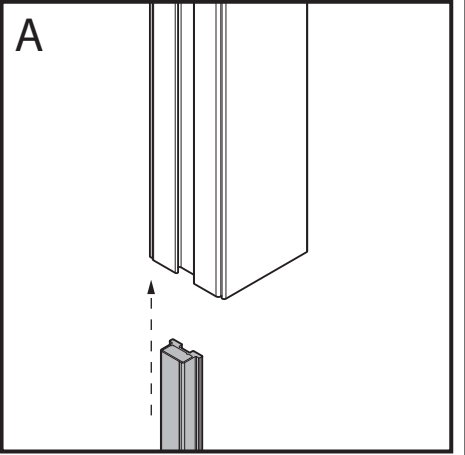
# 8



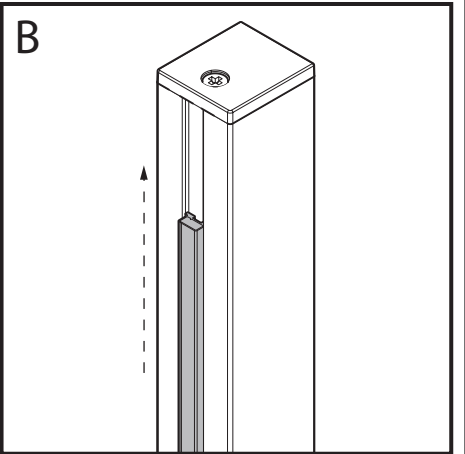
9



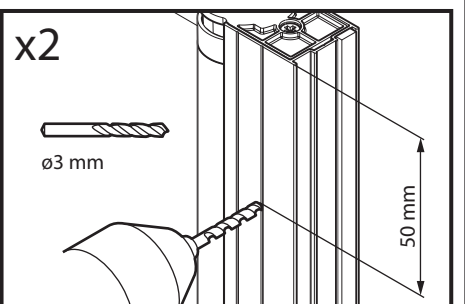
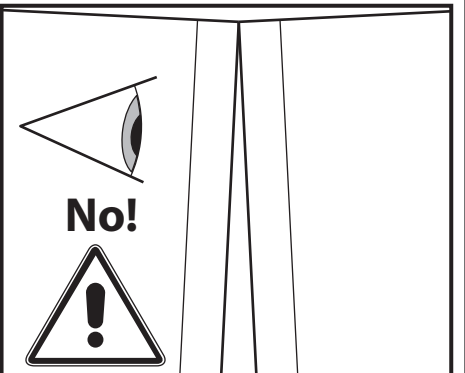
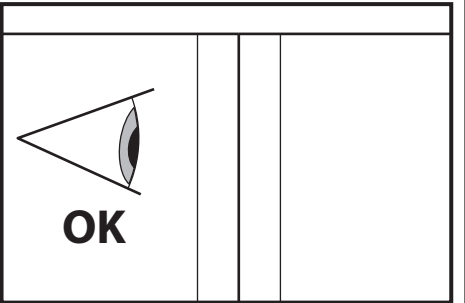
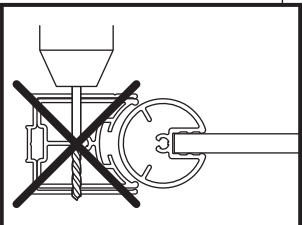
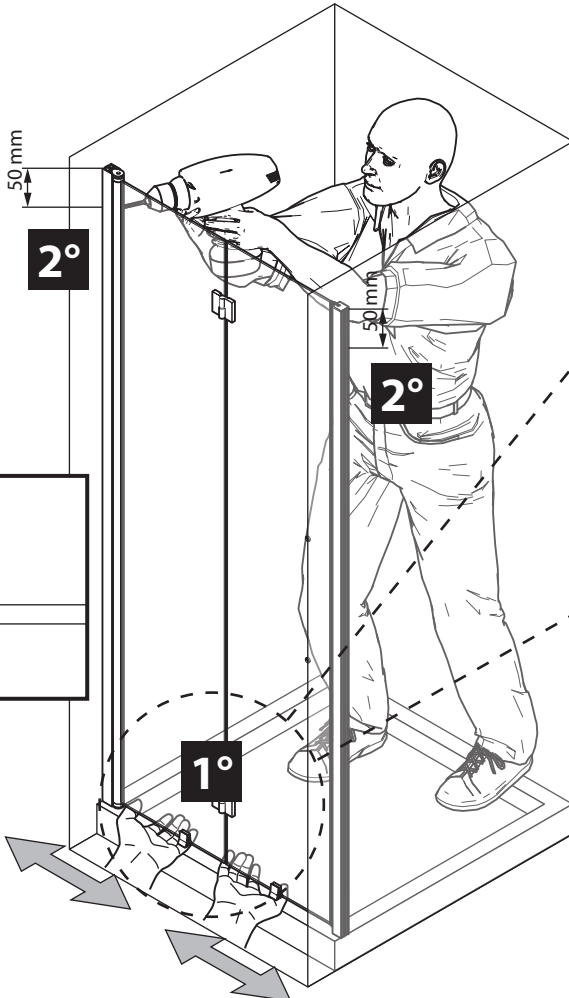
A

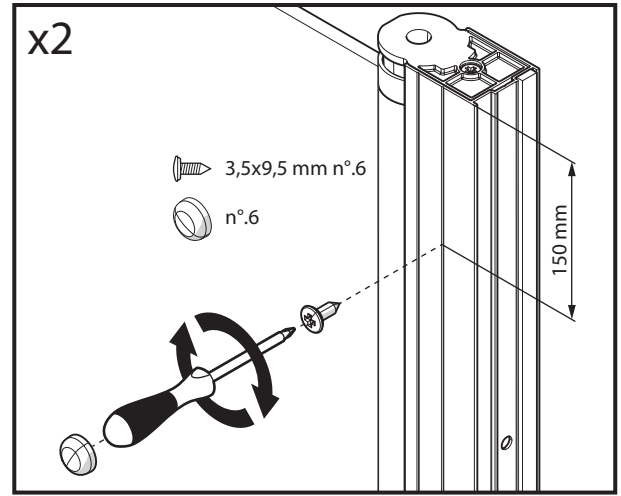
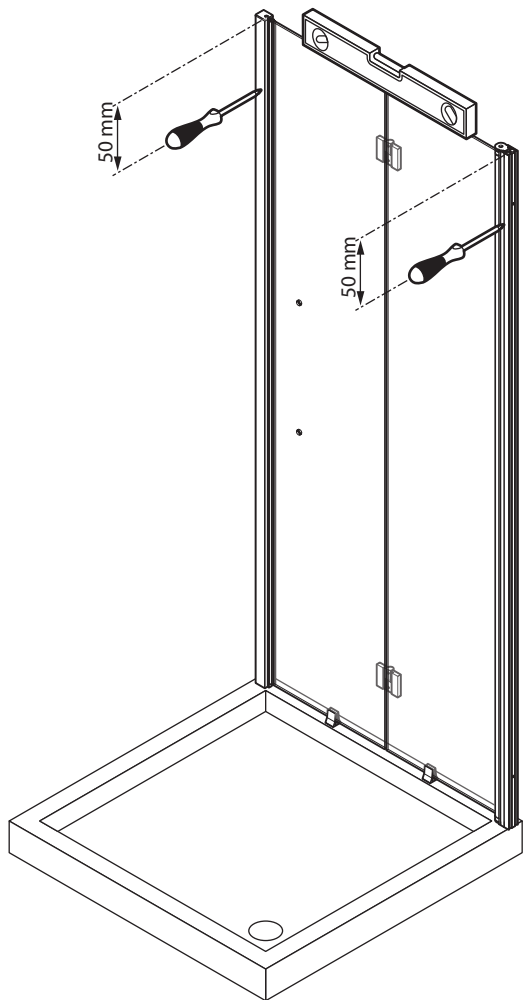


B

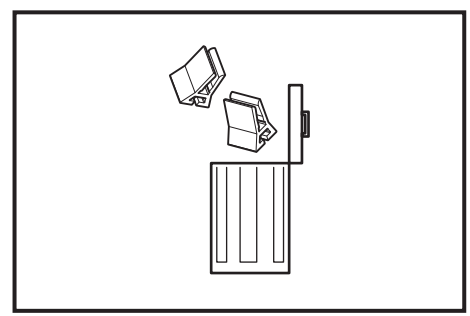
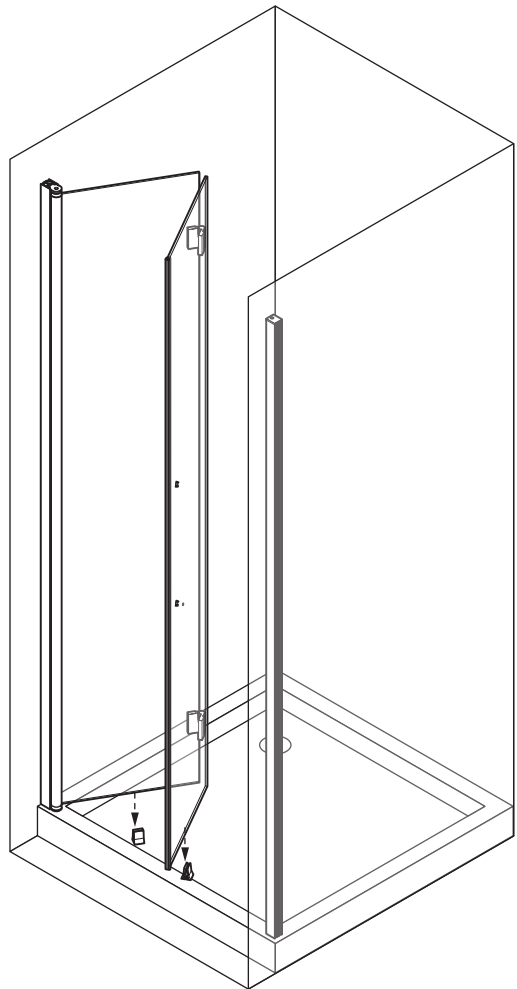


10



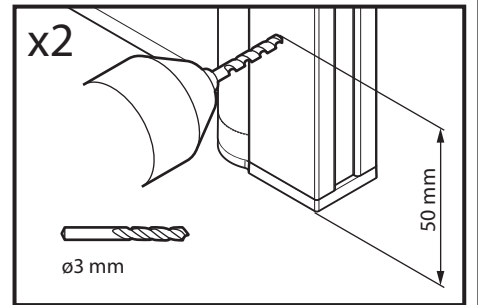
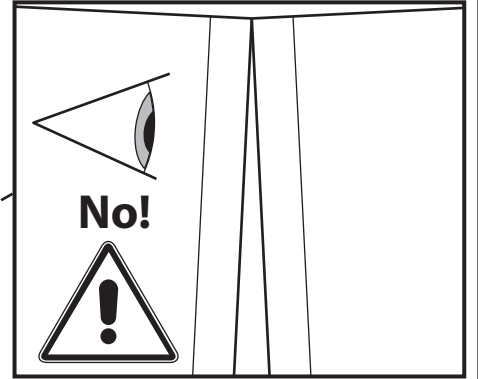
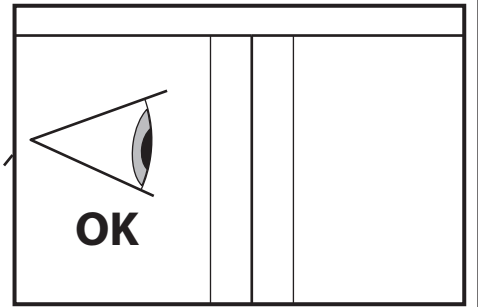
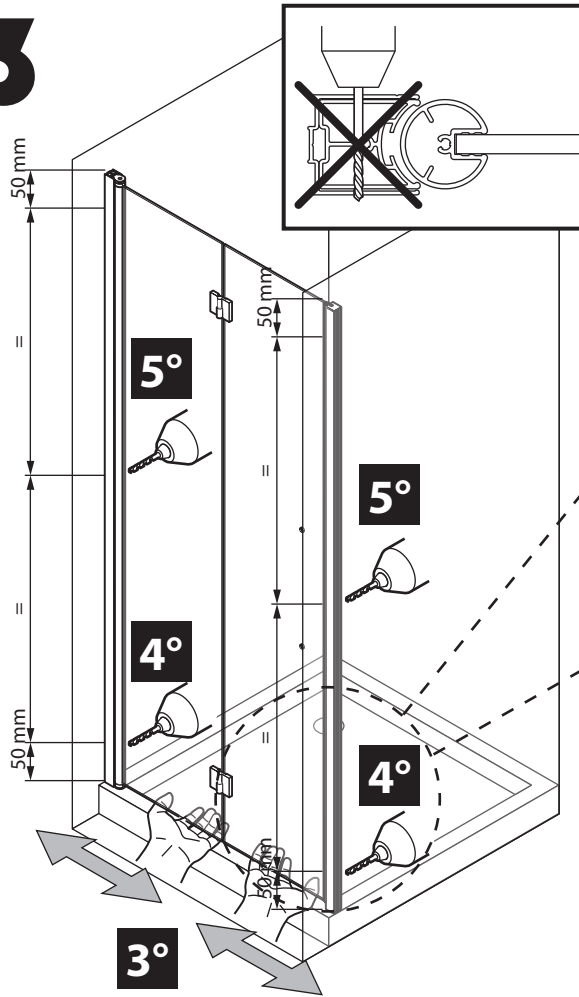


**12**

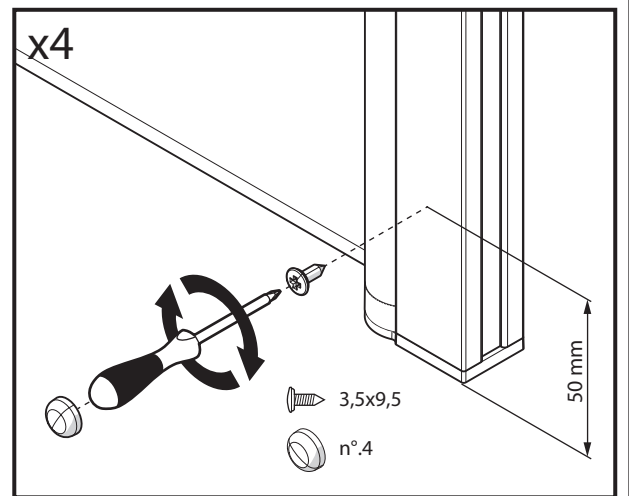
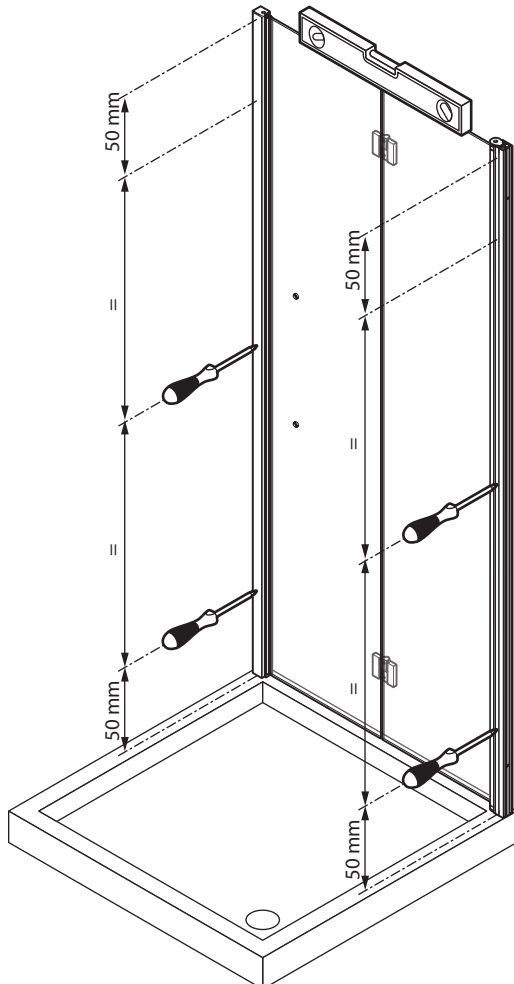




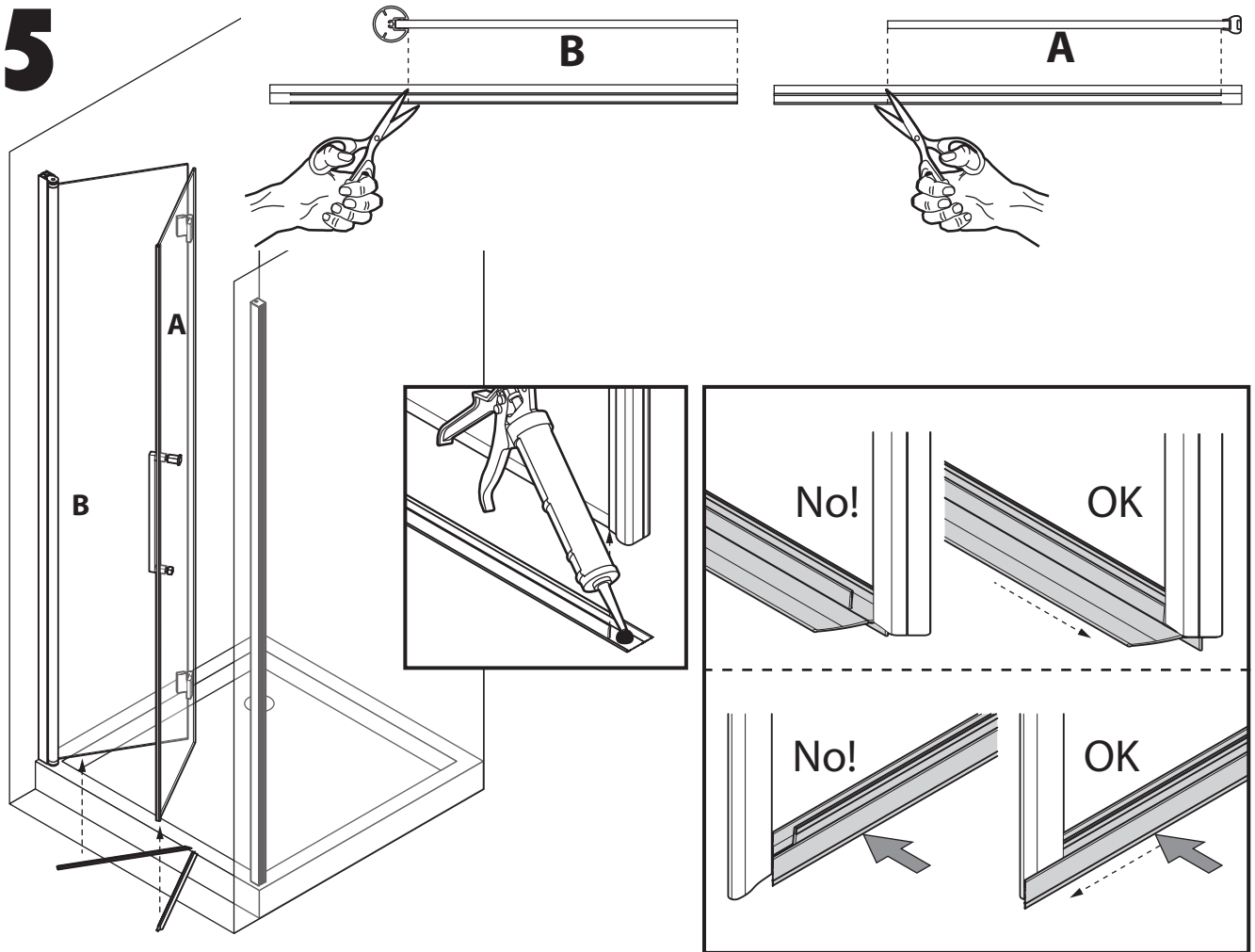
# 13



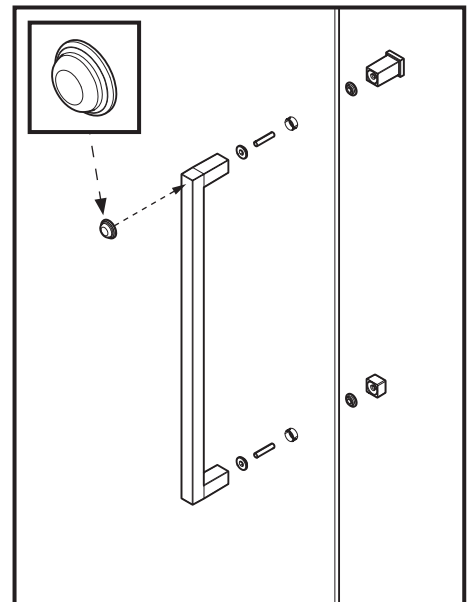
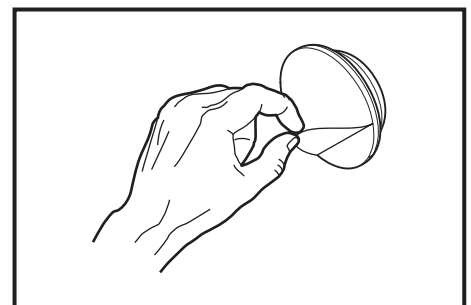
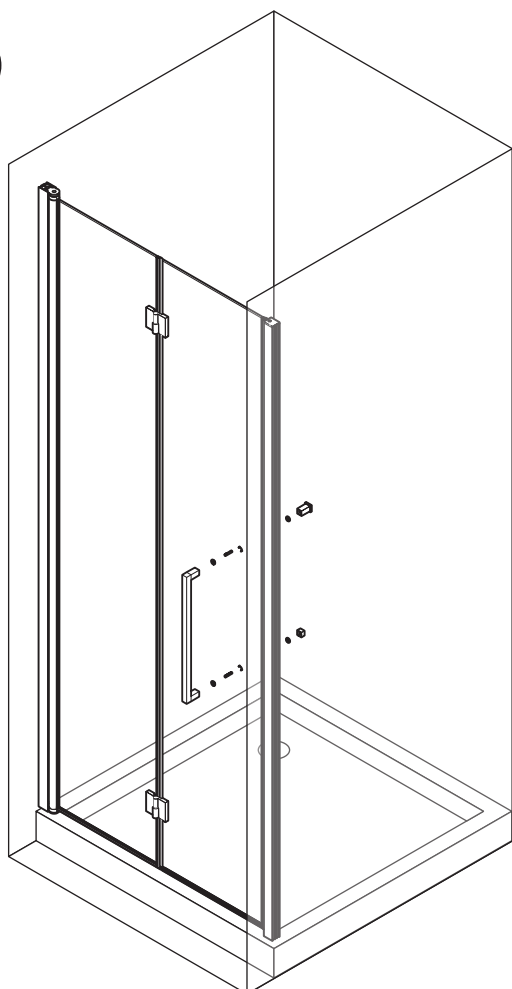
# 14



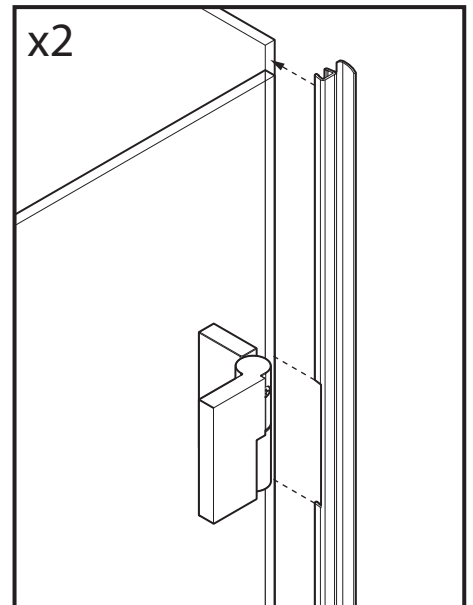
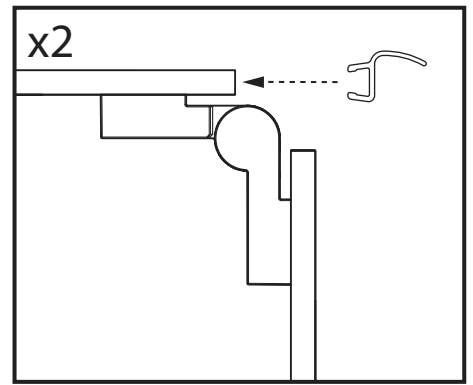
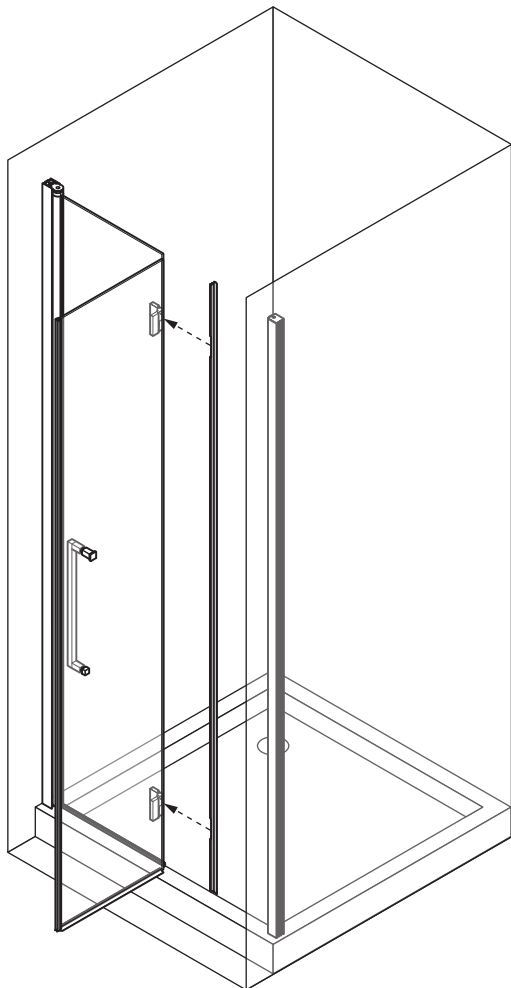
# 15



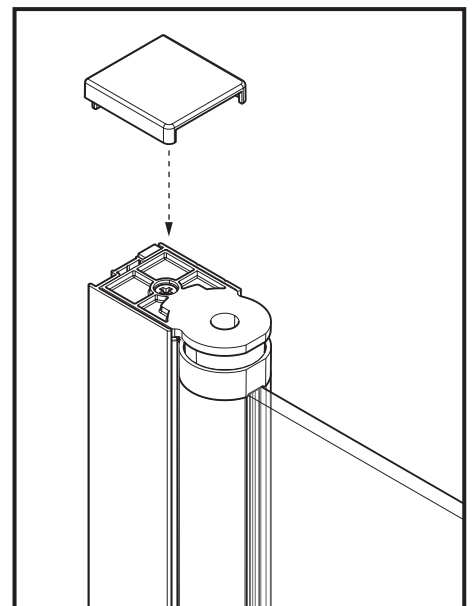
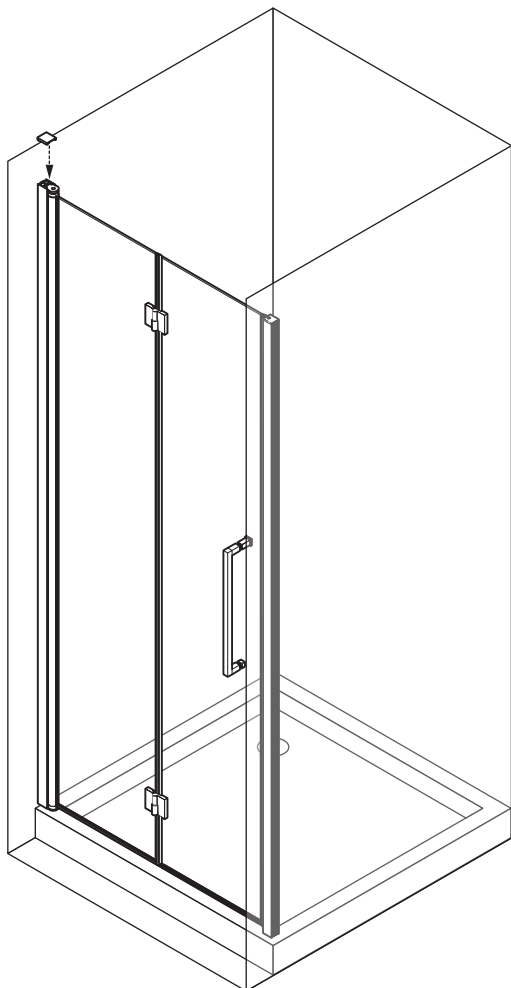
# 16



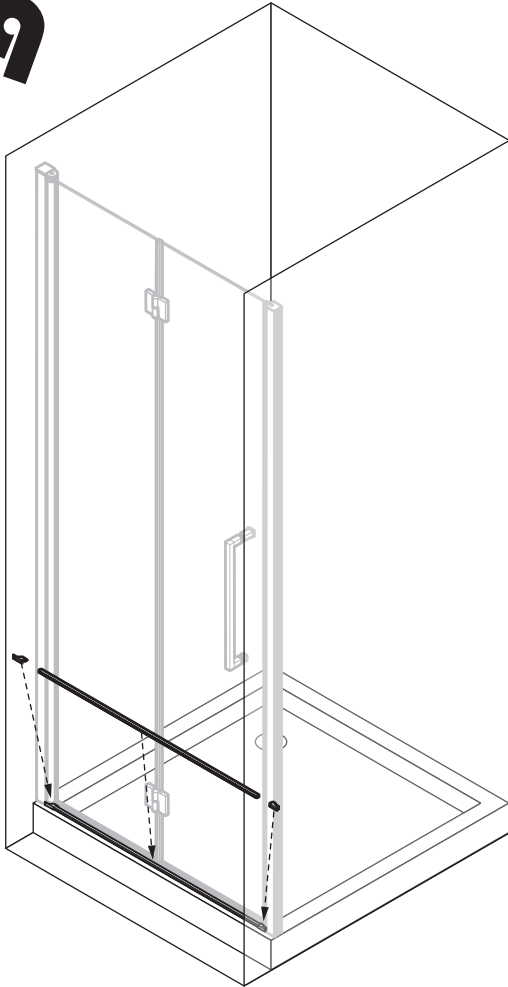
# 17



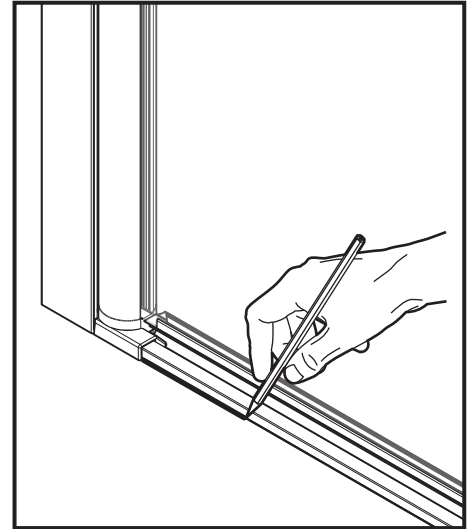
# 18



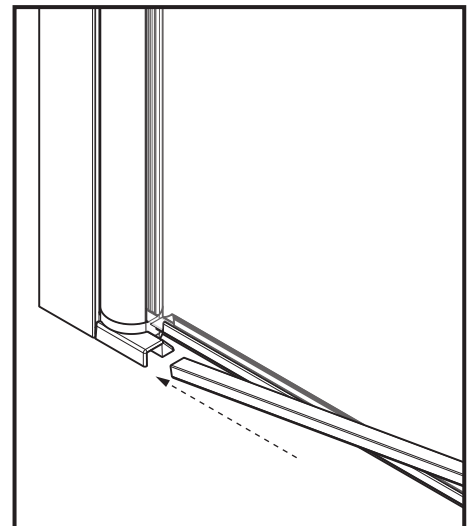
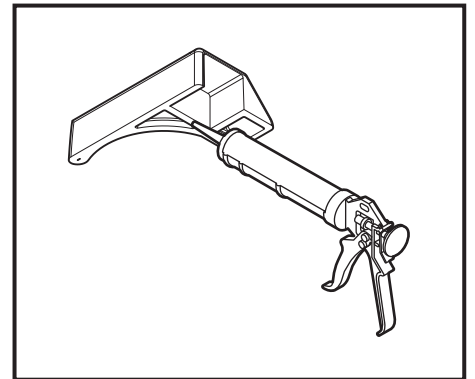
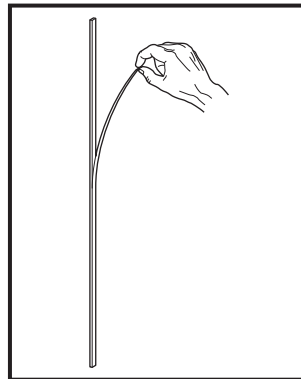
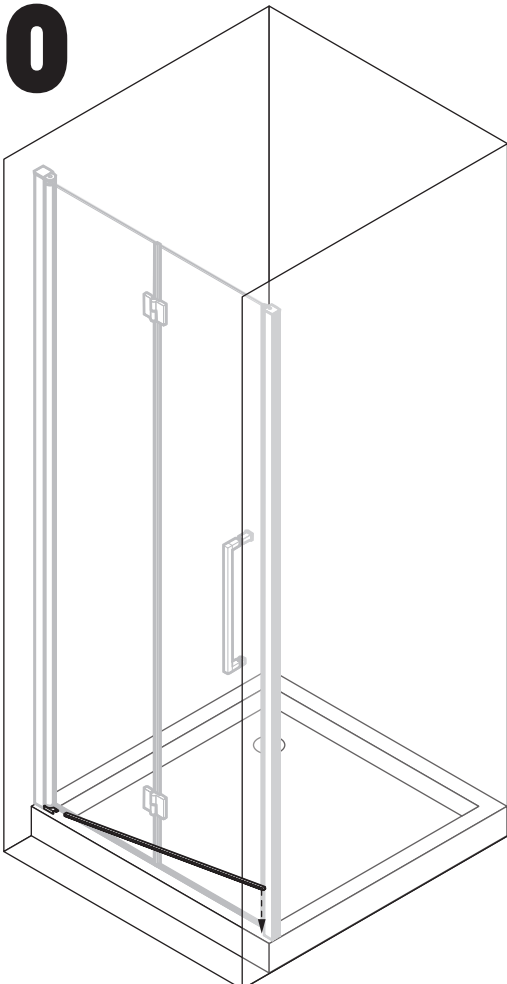
# 19



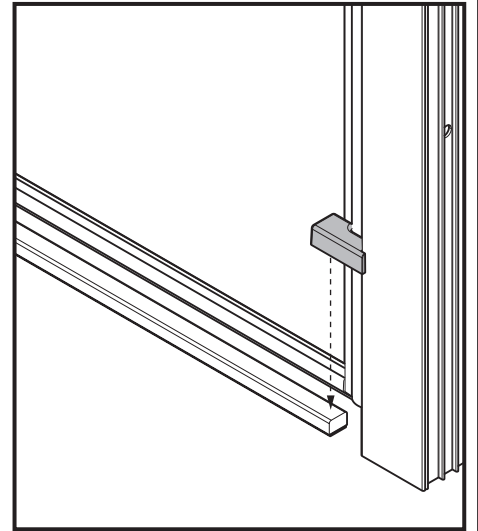
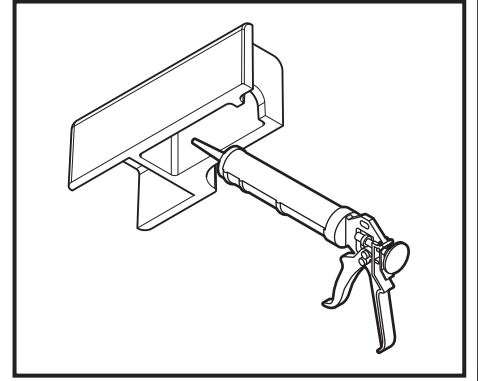
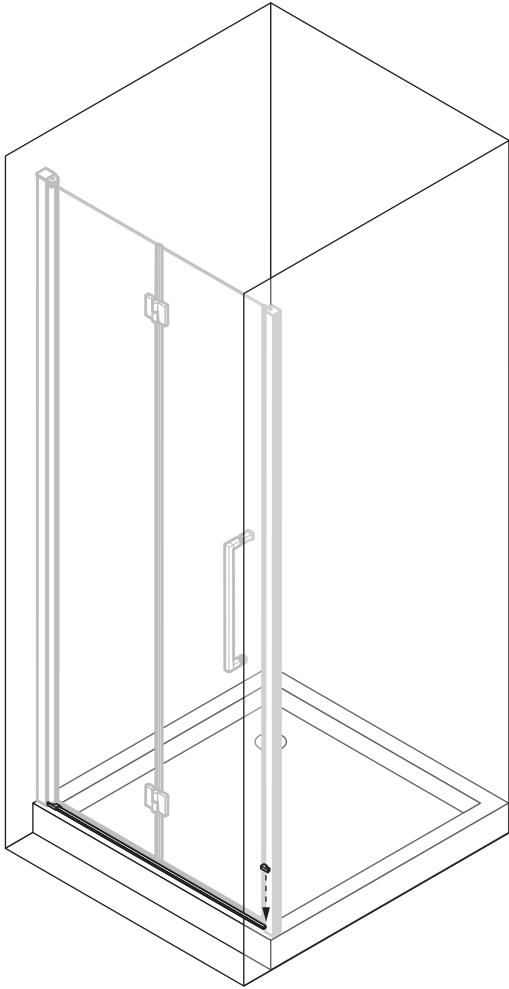
mod. 1BS	mm
1BS57	458
1BS65	538
1BS67	558
1BS72	608
1BS77	658
1BS82	708
1BS87	758
1BS94	828
1BS97	858
1BS107	958
1BS117	1058



# 20



**21**



**22**

