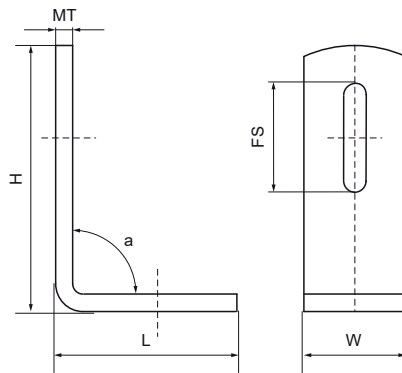


Walraven Rail Connector

(G3525)

to make Walraven RapidRail® fabrications



Features & benefits

- to make rail fabrications
- suitable for rails 27x18, 30x15, 30x20, 30x30, 30x45 and 38x40
- material: steel
- zinc plated



Product Number	For Rail Type	Angle	Total Height	Total Width	Total Length	Material Thickness	Fixing Slot	Torque Moment For Installation
<i>Reference Letter</i>		<i>a</i>	<i>H</i>	<i>W</i>	<i>L</i>	<i>MT</i>	<i>FS</i>	<i>T inst.</i>
<i>Unit description</i>		°	mm	mm	mm	mm	mm	Nm
6585090	27x18, 30x15, 30x20, 30x30, 30x45, 38x40	90	75	30	55	5.00	30,5x8,5	15
6585135	27x18, 30x15, 30x20, 30x30, 30x45, 38x40	135	40	30	101	5.00	23x8,5	15