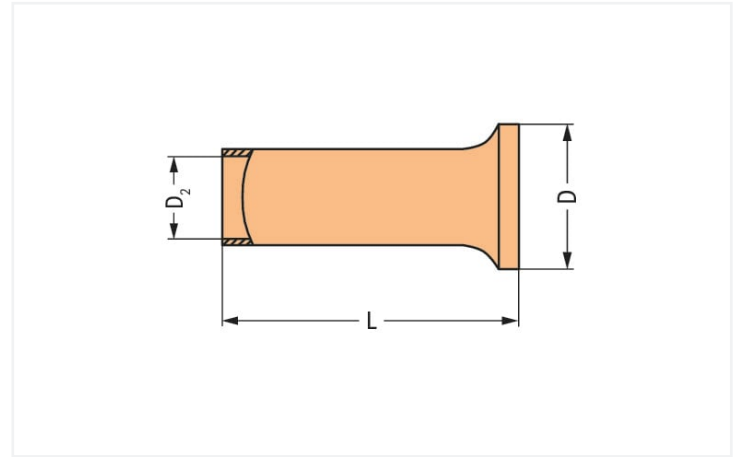


Data Sheet | Item Number: 216-107

Ferrule; Sleeve for 4 mm² / AWG 12; uninsulated; electro-tin plated

<https://www.wago.com/216-107>



Dimensions in mm

Technical data

Sleeve cross-section (AWG)	12 AWG
Sleeve for	4 mm ²

Connection data

Strip length	10 mm / 0.39 inches
--------------	---------------------

Physical data

Length	10 mm
Diameter	4 mm
Diameter crimp sleeve inside	2.8 mm

Material data

Fire load	0 MJ
Weight	0.2 g

Commercial data

Product Group	2 (Terminal Block Accessories)
eCl@ss 10.0	27-40-02-01
eCl@ss 9.0	27-40-02-01
ETIM 8.0	EC000005
ETIM 7.0	EC000005
PU (SPU)	5000 (1000) pcs
Packaging type	Box
Country of origin	DE
GTIN	4017332277693
Customs tariff number	85369010000

Environmental Product Compliance

RoHS Compliance Status	Compliant, No Exemption
------------------------	-------------------------

Downloads

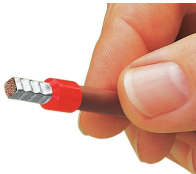
Environmental Product Compliance

Compliance Search	
Environmental Product Compliance 216-107	↓

Documentation

Bid Text			
216-107	11.09.2017	doc 24.00 KB	↓
216-107	19.02.2019	xml 2.77 KB	↓

Installation Notes



A perfect gas-tight crimp – both electrically and mechanically reliable