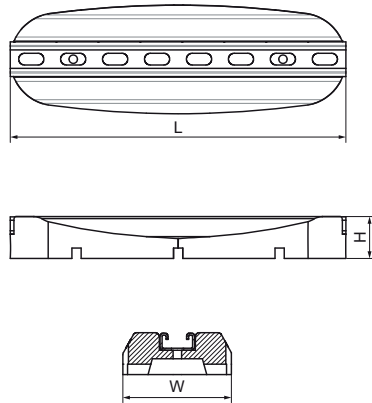


## Walraven Ursus Foot Support System (BUP1000)

(10420)

Floor console damping base for air conditioning and heat pump



### Features & benefits

- for supporting small pipework systems, ductwork runs and cable trays
- to support climate installations, walkways on flat roofs, etc.
- does not penetrate the waterproof membrane (at PVC roofs a separating layer must be installed to protect against plasticizer migration - see Walraven Walraven Yeti® Triplex Separation Layer)
- material: vulcanized rubber 100% recycled material, black; strut channel made of steel 1.0242
- UV resistant
- product is part of the Walraven UltraProtect® 1000 system
- suitable for in- and outdoor applications
- Walraven RapidStrut® Rail: surface protection:
  - stands min. 1,000 hours salt spray test (max. 5% red rust) according to ISO 9227
- For a detailed calculation and for support how to spread the load please contact Walraven Technical Support.
- In cases where a foot is used in roof applications, the installer is obliged to verify maximum load capacity of roof before installation.

Product Number	Total Width	Total Length	Total Height
Reference Letter	W	L	H
Unit description	mm	mm	mm
67687250	130	250	50
67687400	130	400	50
67687601	200	600	50