

# Product data sheet Spirotech

## Product name

**SpiroVent Superior S16A -Insul**

## Article number

**MA16A50I**

## Product properties

## Product image

A fully automatic vacuum degasser for closed heating, cooling and process systems with a pressure between 9 and 16 bar.

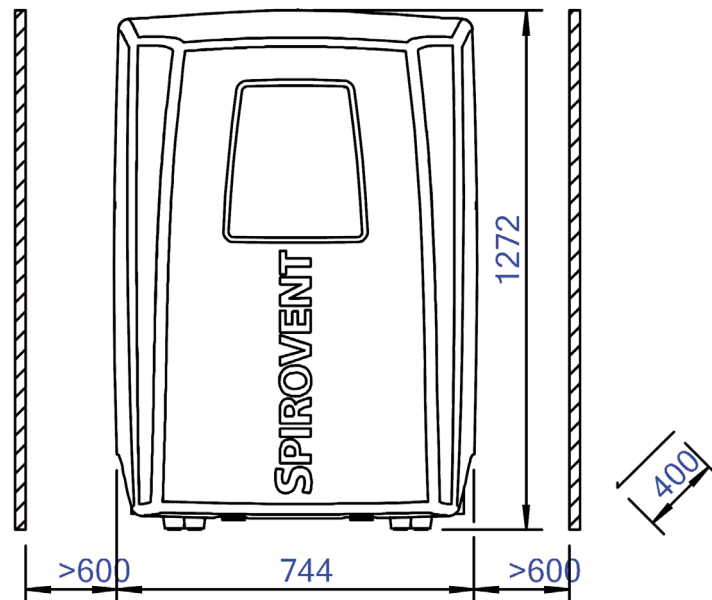
I: insulated

R: with direct refill

- Applicable for systems with pressures between 9 & 16 bar
- Removes all gases, free air, microbubbles and dissolved gases
- Absorptive fluid ensures the removal of trapped gas bubbles
- Easy installation, reducing commissioning and handover
- Energy-efficient whilst still achieving the lowest possible gas concentration thanks to SmartSwitch
- Degassed (re)filling and sustained pressure
- Warns before (re)filling becomes excessive
- Can team up with all common expansion systems
- The B and R versions have an integrated automatic refill system
- Two-year guarantee



## Product dimensions



# Product data sheet Spirotech

## ETIM product data

Height	1272 mm	Sound pressure level	57 dB(A)
With insulation	Yes	Ambient temperature	0 - 40 °C
Max. glycol mixture	40 %	Degree of protection (IP)	IPX4D
Article compression class	PN 25	Operating pressure	9 - 16 bar
Suitable for closed system	Yes	LAN connection	No
Max. installation contents	300000 l	Max. electric power input	2.25 kW
Width	744 mm	Wi-Fi	No
Depth	400 mm	With communication interface RS-485	No
Connection voltage	360 - 440 V	Communication interface inverter MOD-Bus	No
Max. flow rate	1000 l/h	Bluetooth	No
Connection size inlet	3/4 inch	Supporting protocol for BACnet	No
Connection inlet	External thread cylindrical BSPP-G (ISO 228-1)	Potential free switch contact	Yes
Connection size outlet	3/4 inch	Touchscreen operation	No
Connection outlet	External thread cylindrical BSPP-G (ISO 228-1)	Remote controllable function	Yes
Frequency	50 Hz	Nominal current	4.3 A

### Disclaimer

This product sheet has been compiled with the greatest possible care. Nevertheless, it may contain errors or omissions. For the most current and correct information we refer you to our website

