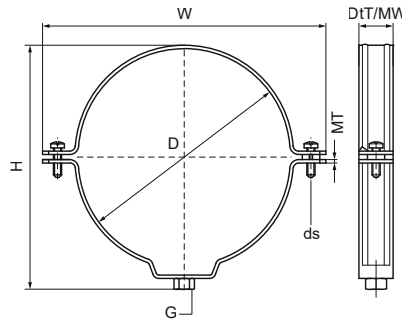


Walraven Bifix® 415 Stainless Steel

(M1505)

for plastic pipes



Features & benefits

- two-screw clamp
- with quick locking system
- with removable spacer washers, making the clamp suitable for either sliding or anchoring
- inside profile to protect pipes from damage
- material: stainless steel 1.4404 (AISI 316L)

EPD

Product Number	Outside Pipe Diameter	DN	Connection Thread	Total Height	Total Width	Total Depth	Material Width	Material Thickness	Screw Size	Maximum Allowed Load Faz	Approvals
Reference Letter	D	D	G	H	W	DtT	MW	MT	ds	F _{0,z}	
Unit description	mm			mm	mm	mm	mm	mm		N	
4157032	32	DN 25	M8	53	71	20	20	1.50	M6	1,310	EPD
4157040	40	DN 32	M8	61	85	20	20	1.50	M6	1,310	EPD
4157050	50	DN 40	M8	63	96	20	20	1.50	M6	1,310	EPD
4157075	75	DN 70	M8	94	114	20	20	1.50	M6	1,310	EPD
4157080	80	-	M8	101	119	20	20	1.50	M6	1,310	EPD
4157090	90	DN 80	M8	109	129	20	20	1.50	M6	1,310	EPD
4157100	100	-	M8	119	139	20	20	1.50	M6	1,310	EPD
4157110	110	DN 100	M8	129	149	20	20	1.50	M6	1,310	EPD
4157125	125	DN 125	M8	145	164	20	20	1.50	M6	1,310	EPD
4157160	160	DN 150	M8	180	208	20	20	1.50	M6	1,310	EPD
4157200	200	DN 200	M8	220	240	20	20	1.50	M6	1,310	EPD