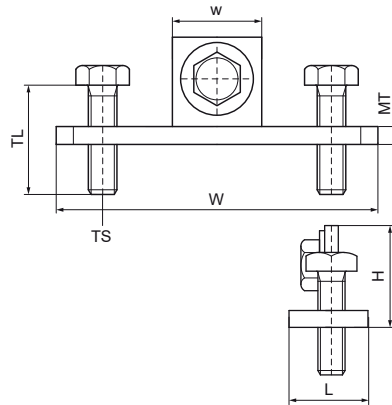


Walraven Inter Flange Beam Clamp Light

(G2035)

to connect light fixing rails inside of steel beam flanges



Features & benefits

- for a solid fixing to steel construction without the need for welding or drilling
- always use 2 beam clamps per fixing
- also suitable for fixing in risershafts
- suitable for rails 27x18, 30x15, 30x20, 30x30 and 30x45
- material: steel
- zinc plated

Product Number	For Rail Type	Clamping Range	Total Height	Total Width	Total Length	Thread Size	Thread Length	Width	Material Thickness	Maximum Allowed Load Faz	Torque Moment For Installation
<i>Reference Letter</i>		<i>CR</i>	<i>H</i>	<i>W</i>	<i>L</i>	<i>TS</i>	<i>TL</i>	<i>w</i>	<i>MT</i>	<i>F_{a,z}</i>	<i>T_{inst.}</i>
<i>Unit description</i>		<i>mm</i>	<i>mm</i>	<i>mm</i>	<i>mm</i>		<i>mm</i>	<i>mm</i>	<i>mm</i>	<i>N</i>	<i>Nm</i>
6613820	27x18, 30x15, 30x20, 30x30, 30x45, 38x40	100 - 400	30	89	24	M8	25	25	5.00	500	15