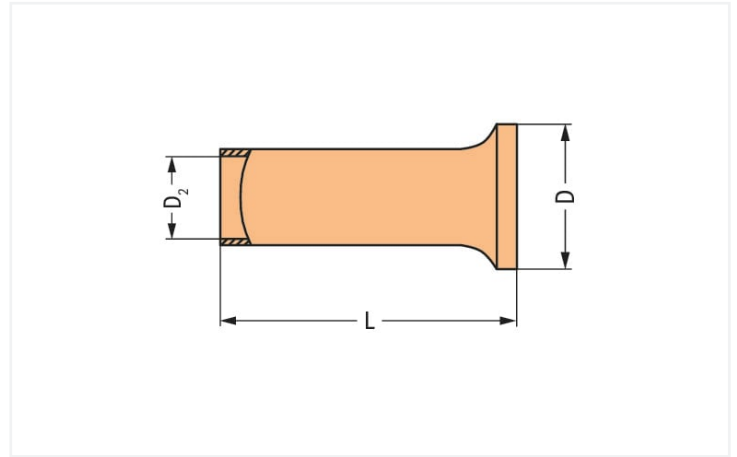




Similar to illustration



Dimensions in mm

Technical data

Sleeve cross-section (AWG)	14 AWG
Sleeve for	2.5 mm ²

Connection data

Strip length	8 mm / 0.31 inches
--------------	--------------------

Physical data

Length	8 mm
--------	------

Material data

Fire load	0 MJ
Weight	0.1 g

Commercial data

ETIM 8.0	EC000005
ETIM 7.0	EC000005
PU (SPU)	5000 (1000) pcs
Packaging type	Box
Country of origin	DE
GTIN	4045454996628
Customs tariff number	85369010000

Environmental Product Compliance

RoHS Compliance Status

Compliant, No Exemption

Downloads

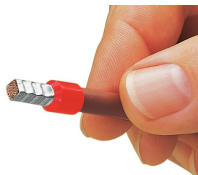
Environmental Product Compliance

Compliance Search

Environmental Product
Compliance 216-105



Installation Notes



A perfect gas-tight crimp – both electrical-ly and mechanically reliable