

# Product data sheet Spirotech

## Product name

**SpiroVent Superior S400 -Insul**

## Product properties

A fully automatic vacuum degasser for closed heating, cooling and process systems with a pressure between 1 and 4 bar.

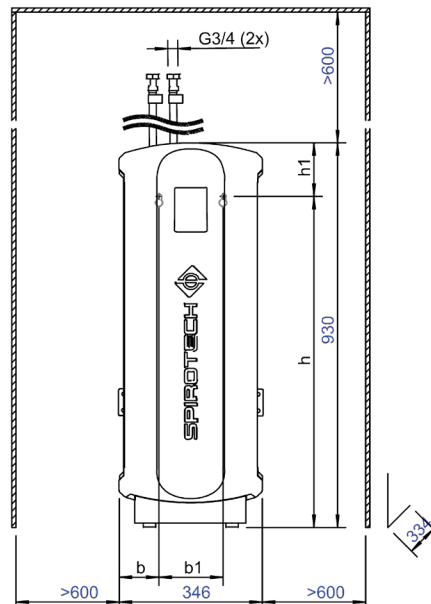
I: insulated

B: with break tank

R: with direct refill

- Applicable for systems with pressures between 1 & 4 bar
- Removes all gases, free air, microbubbles and dissolved gases
- Absorptive fluid ensures the removal of trapped gas bubbles
- Easy installation, reducing commissioning and handover
- Energy-efficient whilst still achieving the lowest possible gas concentration thanks to SmartSwitch
- Degassed (re)filling and sustained pressure
- Warns before (re)filling becomes excessive
- An extensive range for a wide variety of systems
- Can team up with all common expansion systems
- Remote access via LAN or Wi-Fi
- The B and R versions have an integrated automatic refill system
- Two-year guarantee

## Product dimensions



## Article number

**MV04A50I**

## Product image



# Product data sheet Spirotech

## ETIM product data

Height	930 mm	Sound pressure level	55 dB(A)
With insulation	Yes	Ambient temperature	0 - 40 °C
Max. glycol mixture	40 %	Degree of protection (IP)	IP44
Article compression class	PN 10	Operating pressure	1 - 4 bar
Suitable for closed system	Yes	LAN connection	Yes
Max. installation contents	100000 l	Max. electric power input	0.5 kW
Width	346 mm	Wi-Fi	Yes
Depth	334 mm	With communication interface RS-485	Yes
Connection voltage	207 - 253 V	Communication interface inverter MOD-Bus	Yes
Max. flow rate	500 l/h	Bluetooth	No
Connection size inlet	3/4 inch	Supporting protocol for BACnet	No
Connection inlet	External thread cylindrical BSPP-G (ISO 228-1)	Potential free switch contact	Yes
Connection size outlet	3/4 inch	Touchscreen operation	Yes
Connection outlet	External thread cylindrical BSPP-G (ISO 228-1)	Remote controllable function	Yes
Frequency	50 Hz	Nominal current	3.1 A

### Disclaimer

This product sheet has been compiled with the greatest possible care. Nevertheless, it may contain errors or omissions. For the most current and correct information we refer you to our website

