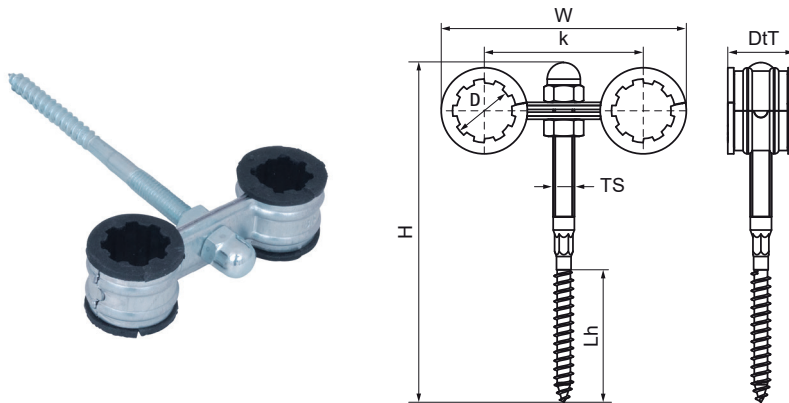


## Walraven Double Wall Clamp with Lining

(A1510)

for heating pipes



### Features & benefits

- for fixing of two pipes
- two parts of the clamp interlock
- bolt-wood screw with shoulder, making a lock nut unnecessary
- material: steel
- pre-galvanized
- sound insulating lining according DIN 4109

## EPD

Product Number	Outside Pipe Diameter	Total Height	Total Width	Total Depth	Maximum Height	Heart To Heart Distance	Length Wood Thread	Thread Size	Max. Wall Distance Center Clamp	Min. Wall Distance Center Clamp	Maximum Allowed Load Faz	Maximum Allowed Load Fax
Reference Letter	D	H	W	DtT	Ht,max	k	Lh	TS			Fa,z	Fa,x
Unit description	mm	mm	mm	mm	mm	mm	mm		mm	mm	N	N
3535015	15	126	87	25	127	60	50	M8	60	60	230	200
3535017	18	126	89	25	127	60	50	M8	60	60	230	200
3535021	22	126	93	25	127	60	50	M8	60	60	230	330
3535027	28	127	98	25	127	60	48	M8	59.8	59.8	230	330
3535033	33	130	115	25	130	70	48	M8	59.5	59.5	230	330