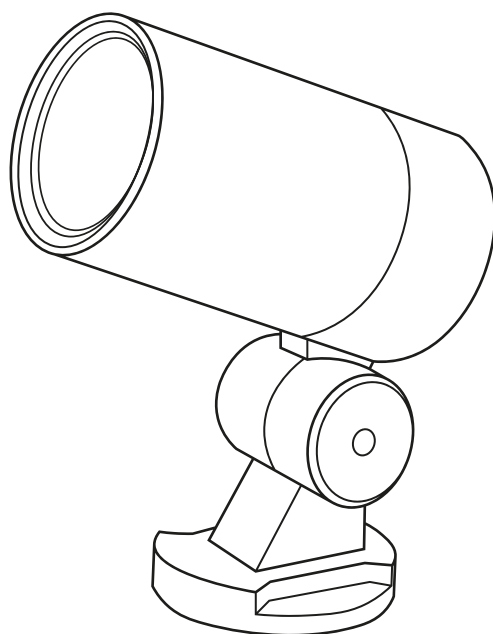




Read these instructions & save for future use

Spot | 24V | 24W | 30° | IP66 | RGBW | DMX512



Article number **190-150**

Brand **Tronix Lighting**

Type **Color fixtures**

Contents of this product **1x IP66 spot 24W**

Technical datasheet **Digitally available
on our webshop**



*View instructions and
technical data also on
our website*

TRONIX



Before first use

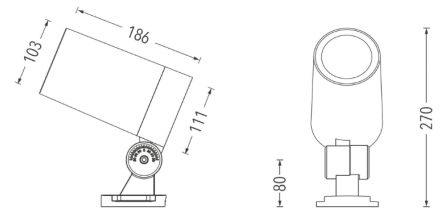
Before getting started with this product, it is advisable to check the order completeness and any damage. If this is the case, please contact Tronix Lighting.

Description

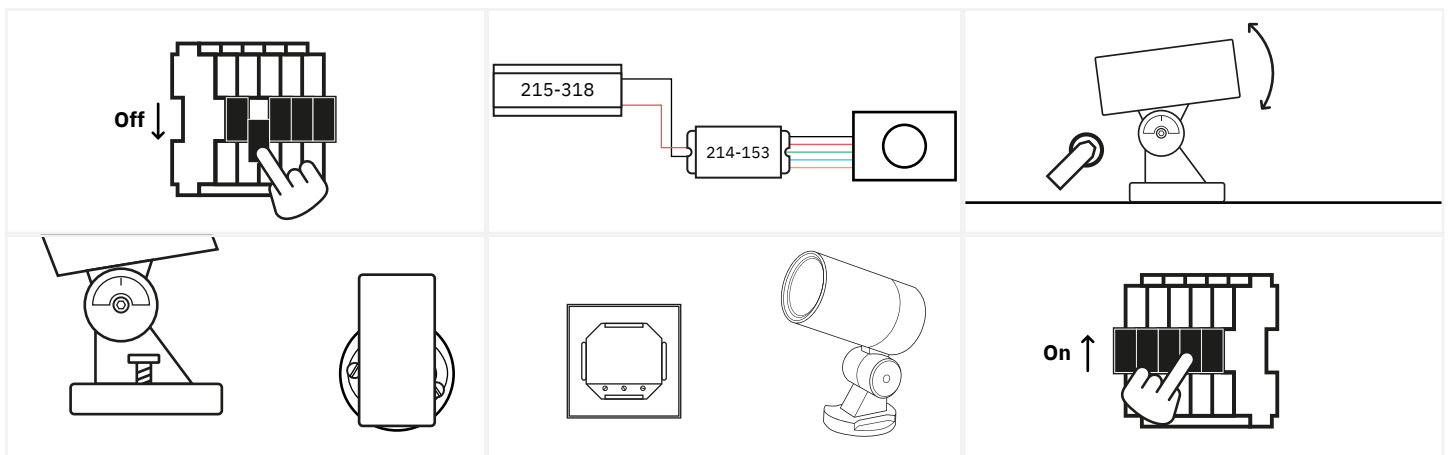
This spotlight has a powerful beam that can easily illuminate several meters along walls or ceilings. In addition, the base is tiltable up to 150°, allowing the spotlight to easily illuminate an object or facade from the correct position.

In addition, the sturdy frame makes this spotlight extremely well suited for outdoor placement. This is because the spotlight is IP66 waterproof, protecting it from rain and dust.

In short, this spotlight is a candidate when it comes to lighting, for example, monumental buildings, hotels, restaurants, clubs and bars.



Installation



1. Turn off the power, remove the product and associated parts from the packaging and check the wiring before installation;
 2. Place the necessary power supply and DMX master controller in a dry place and pull the cable through to the location of the spotlights;*
 3. Place the spotlight in the desired location and turn it to the correct angle using an Allen wrench;
 4. Drill it tight and check the spot for strength;
- Check the installation again after placing the spotlights. If everything is in order, activate the power to put the spotlights into operation. After this, it is still possible to connect a DMX Wall Controller or remote control for optimal control.

* Placing multiple spotlights in a row? Check the last page for additional instructions.



Safety

Safety is a top priority at Tronix Lighting. Therefore, we heartily recommend that you follow the following steps closely:

- Keep this manual carefully for future reference;
- Choose a qualified electrician while installing, maintaining or inspecting this product;
- Never look directly into a light source to avoid possible damage to the eye;
- Always ensure that the relevant power group is on non-active when the product is connected;
- Use only recommended combinations (LED drivers, controllers or dimmers) to avoid injury or damage to the product.

Technical problems and repair

Should a product not work properly after installation, or if the product exhibits problems over time, it is advisable to check the following elements:

- Check the wiring and installation of your product;
- Check for the presence of disruptive elements such as dust, water or other electronics;
- Should it be possible, try disconnecting the product and testing it in another location to rule out a problem at the location;

Should you be dealing with a WIFI-based product, check and reset your router's settings.

Should the product still not work after testing, it is recommended to send it in for inspection and/or repair. To do so, please contact Tronix Lighting using nearby details and proof of purchase (packing slip).



CARE



SHARE



CONNECT

Supplier:

Tronix Lighting B.V

Vluchtoord 41
5406 XP Uden, Netherlands

+31 (0)413 330 380
sales@tronixlighting.com

Terms and symbols (as relevant to product)



The **CE mark** indicates that this product complies with EU regulations on safety, health and environmental protection;



The **WEEE symbol** stands for "Waste Electrical and Electronic Equipment Regulation," a directive on the collection, recycling and recovery of electronic waste;



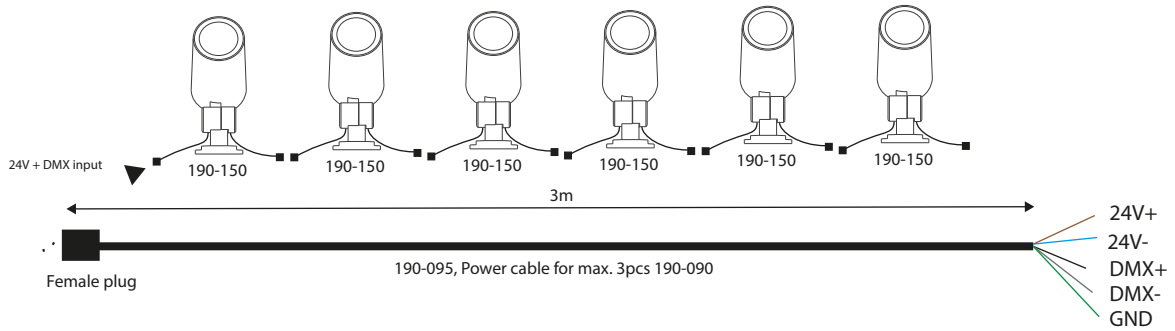
The **Class III symbol** indicates that this product features an "extra-low voltage (SELV) input and therefore does not require additional protection.

- This product has an **IP66 rating**. This means the housing is touch-safe, fully protected from dust and water-resistant (100 L/min) regardless of angle.

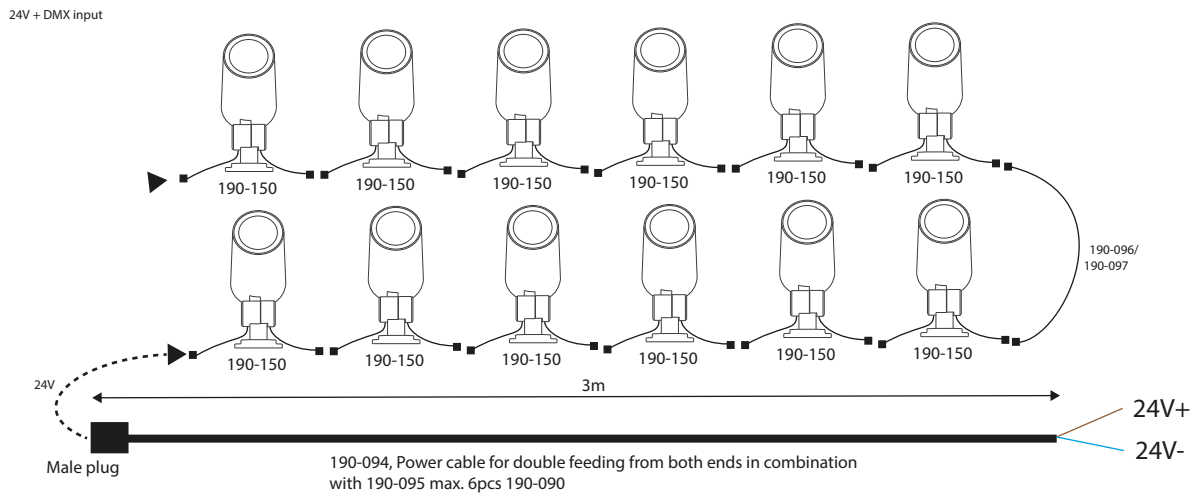


WIRING

Situation 1, max. 6 Flood Lights



Situation 2, max. 12 Flood Lights



Situation 3, more than 12 Flood Lights

