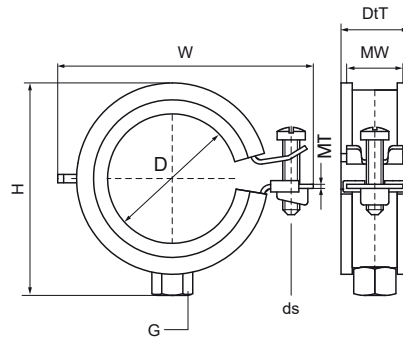


Walraven KSB1 Clamp (M8)

(A05108)

for steel, copper, cast iron and plastic (multilayer) pipe



Features & benefits

- single screw clamp
- with quick locking system, type KSB
- clamp easy to close with one hand
- material: steel
- zinc plated
- sound insulating lining according DIN 4109
- noise reduction according to ISO 3822-1 up to 23 dB(A)



| Product Number | Outside Pipe Diameter | DN | Pipe Diameter Imperial | Connection Thread | Material Width | Material Thickness | Screw Size | Total Height | Total Width | Total Depth | Approvals | Maximum Allowed Load Faz |
|------------------|-----------------------|-------|------------------------|-------------------|----------------|--------------------|------------|--------------|-------------|-------------|--|--------------------------|
| Reference Letter | D | D | D | G | MW | MT | ds | H | W | DtT | | Fa,z |
| Unit description | mm | | " | | mm | mm | | mm | mm | mm | | N |
| 3363014 | 13 - 14 | DN 8 | 1/4 | M8 | 20 | 1.00 | M6 | 37 | 47 | 24 | CE, ETA, ISO 3822-1, EPD | 350 |
| 3363018 | 15 - 18 | DN 10 | 3/8 | M8 | 20 | 1.00 | M6 | 38 | 47 | 25 | CE, ETA, RAL-GZ 655/B, ISO 3822-1, EPD | 350 |
| 3363023 | 20 - 23 | DN 15 | 1/2 | M8 | 20 | 1.00 | M6 | 43 | 52 | 25 | CE, ETA, RAL-GZ 655/B, ISO 3822-1, EPD | 350 |
| 3363028 | 25 - 28 | DN 20 | 3/4 | M8 | 20 | 1.00 | M6 | 48 | 57 | 25 | CE, ETA, RAL-GZ 655/B, ISO 3822-1, EPD | 450 |
| 3363035 | 32 - 35 | DN 25 | 1 | M8 | 20 | 1.00 | M6 | 55 | 63 | 25 | CE, ETA, RAL-GZ 655/B, ISO 3822-1, EPD | 450 |
| 3363043 | 40 - 43 | DN 32 | 1 1/4 | M8 | 20 | 1.25 | M6 | 63 | 72 | 25 | CE, ETA, RAL-GZ 655/B, ISO 3822-1, EPD | 600 |
| 3363051 | 48 - 51 | DN 40 | 1 1/2 | M8 | 20 | 1.25 | M6 | 71 | 80 | 25 | CE, ETA, RAL-GZ 655/B, ISO 3822-1, EPD | 600 |
| 3363054 | 53 - 56 | - | - | M8 | 20 | 1.25 | M6 | 76 | 85 | 25 | CE, ETA, RAL-GZ 655/B, ISO 3822-1, EPD | 600 |
| 3363062 | 58 - 63 | DN 50 | 2 | M8 | 20 | 1.25 | M6 | 82 | 91 | 25 | CE, ETA, RAL-GZ 655/B, ISO 3822-1, EPD | 600 |