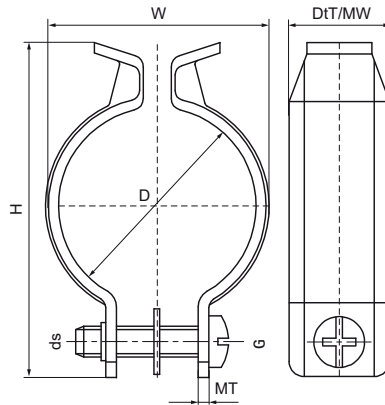


Walraven Beam Clamp Model O - Accessories

(K2020)

accessories for Walraven Beam Clamp Model O



Features & benefits

- easy to attach to beam clamp model O
- for fixing of conduits or cables
- specified loads are applicable for installations underneath the beam
- material: steel 1.0332
- surface treatment: zinc flake coated

Product Number	Outside Pipe Diameter	DN	Total Height	Total Width	Total Depth	Material Width	Material Thickness	Screw Size	Maximum Allowed Load Faz
Reference Letter	D	D	H	W	DtT	MW	MT	ds	Fa,z
Unit description	mm		mm	mm	mm	mm	mm		N
6077220	16 - 20	DN 10	22	41	16	16	1.50	M5	600
6077225	20.4 - 25	DN 15	33	51	16	16	1.50	M5	600
6077231	26.9 - 31.8	DN 20	33	60	16	16	1.50	M5	600
6077238	33.7 - 38	DN 25	42	81	20	20	1.50	M6	600
6077244	40 - 44.5	DN 32	46	72	20	20	1.50	M6	600